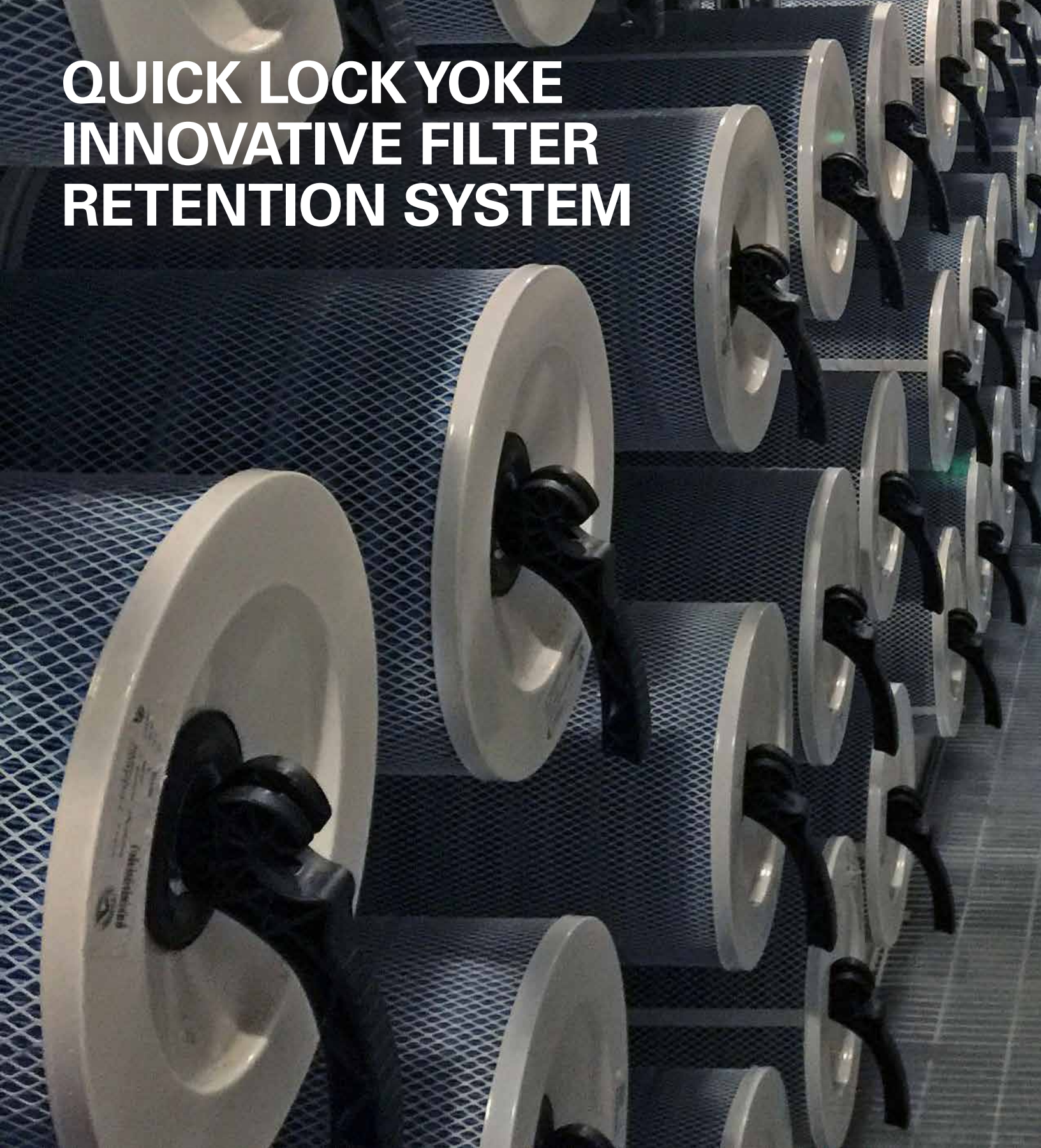


QUICK LOCK YOKE INNOVATIVE FILTER RETENTION SYSTEM



Donaldson
FILTRATION SOLUTIONS

GAS TURBINE SYSTEMS

DONALDSON QUICK LOCK YOKE

HELPS ENSURE SECURE INSTALLATION
AND REDUCES CHANGE OUT TIME.

Proper installation of inlet air filters and periodic inspections to verify effective sealing and retention tightness is critical for the life of the equipment. Upgrading to a Donaldson's Quick Lock Yoke System takes the guesswork out of installing and inspecting new filter elements and reduces maintenance time for change outs.

Innovative Technology

Donaldson's filter elements are made from Turbo-Tek™ media, an innovative filtration technology. The fully assembled Quick Lock Yoke consists of retention clamps, gaskets, and gasket washers for a complete solution to ensure the best results.

Simple Maintenance

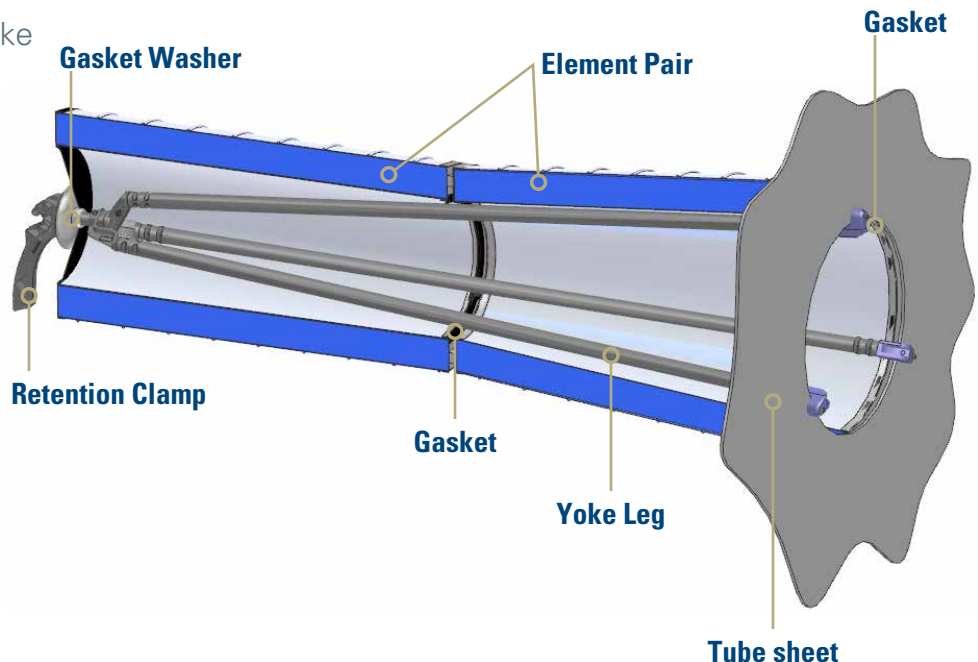
Our design ensures precise sealing at all connection points for each filter element pair. The Quick Lock Yoke proprietary locking system reduces the risk of filters loosening during operations to help minimize dirty air bypass while simplifying the overall filter change out process.

Easy Upgrades

Donaldson crossflow air filtration units, as well as other popular brands, can be easily upgraded to incorporate the Quick Lock Yoke. Depending on the application, simply remove the existing yoke leg retention system, and install the Quick Lock Yoke or retrofit the application by using the Quick Lock Yoke adaptors. There is no welding, cutting, drilling, or coating repair required. The installation of the Quick Lock Yoke utilizes the existing fastening points.

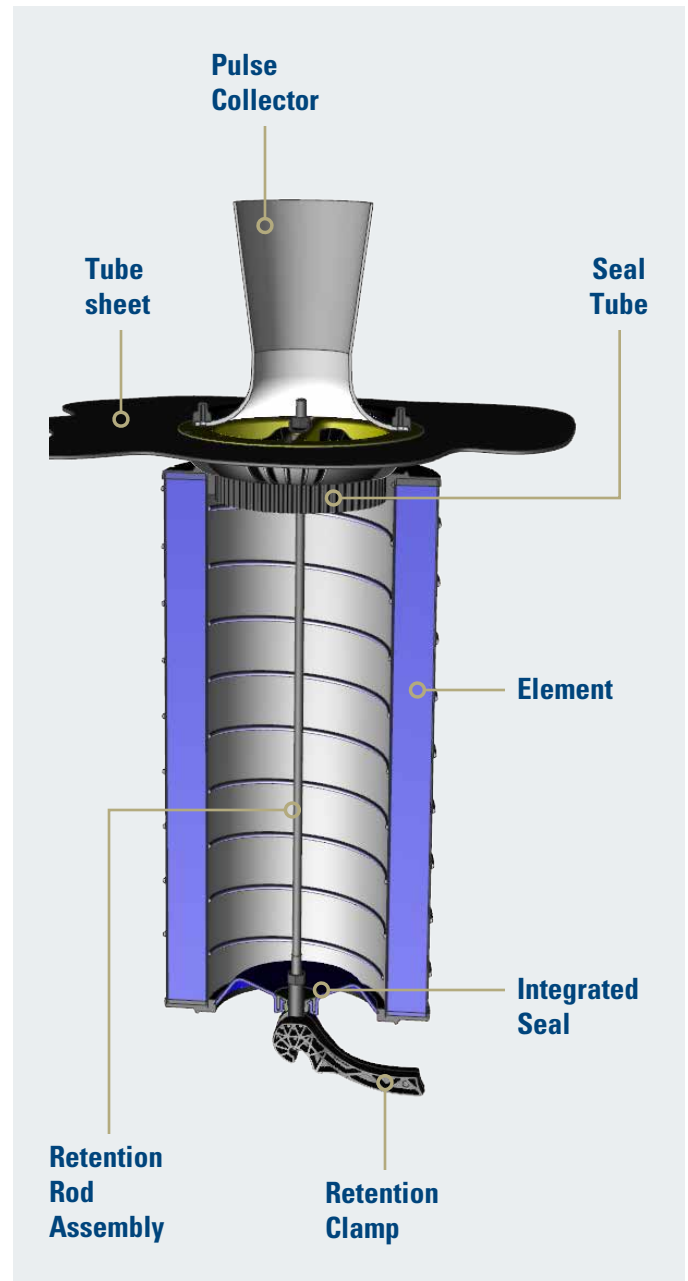
Secure Installation

The design of the Quick Lock Yoke ensures proper gasket sealing at the tube sheet and between the element pair. Once the clamp is secure, the elements are locked in place.



INTRODUCING QUICK LOCK YOKE WITH POWER-SEAL FOR UPDRAFT POWER GENERATION INSTALLATIONS

- Quick filter element removal and installation
- Precise sealing to help reduce the risk of dirty air bypass
- Simple verification of correct installation
- Reduced change out time resulting in decreased downtime
- No tools required for simple installation and maintenance
- Ergonomically beneficial to installation personnel



DONALDSON. MORE POWER TO YOU.

Comprehensive Technical Capabilities

- Extensive product and service portfolio
- Advanced filter media technology for optimal performance
- Engineering and design support
- Customization capabilities

Unrivalled Operations and Maintenance Support

- Filter testing and reporting
- Technical Field Advisor site inspections
- Dedicated service crews
- Comprehensive warranty
- Wide breadth of aftermarket filters, parts, and accessories

Extensive Global Reach

- 140 sales, manufacturing, and distribution locations globally
- Localized support for faster service and delivery
- Logistical and regulatory expertise

Important Notice

Many factors beyond the control of Donaldson can affect the use and performance of Donaldson products in a particular application, including the conditions under which the product is used. Since these factors are uniquely within the user's knowledge and control, it is essential the user evaluate the products to determine whether the product is fit for the particular purpose and suitable for the user's application. All products, product specifications, availability and data are subject to change without notice, and may vary by region or country.

Donaldson Company, Inc.
Gas Turbine Systems
P.O. Box 1299
Minneapolis, MN 55440-1299 U.S.A.

donaldson.com

North America
+1-800-431-0555
filterinfo@donaldson.com

India
+91-124-4807-400
IndiaInquiries@Donaldson.com

Japan
+81-42-540-4113
jp-ndl.gtsweb@donaldson.com

South East Asia
+65-6311-7373
sea.salesenquiry@donaldson.com

Latinoamérica
+52-449-300-2442
industrialair@donaldson.com

Australasia
+61-2-4350-2000
marketing.australia@donaldson.com

Greater China
+86-21-2313-7027
gtssales.apac@donaldson.com

Korea
+82-2-517-3333
gts-kr@donaldson.com

Europe, Mid-East, Africa
+32-16-38-3940
GTS-europe@donaldson.com

México
+1-800-343-36-39
industrialair@donaldson.com

F117162 ENG (04/21) Quick Lock Yoke ©2010-2021 Donaldson Company, Inc. Donaldson, Turbo-Tek and the color blue are marks of Donaldson Company, Inc. All other marks belong to their respective owners.



GAS TURBINE SYSTEMS