



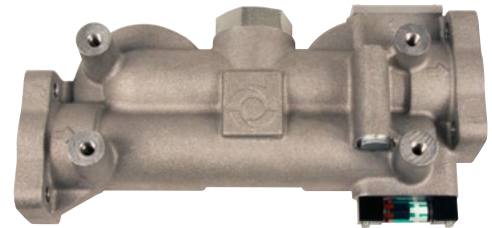
Clean Fuel & Lubricant Solutions

# Dual Head with 50 psi Bypass

## P574958

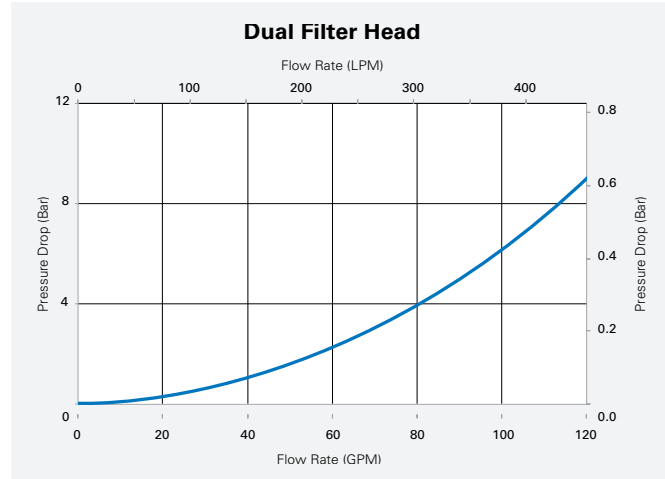
The Clean Solutions Dual Head with 50 psi Bypass was specifically designed for inline applications that cannot lose flow and for circuits where the pump is not equipped with an internal bypass. Bypass is not recommended for most other single pass applications as fluids will not be filtered if the system is unintentionally left in bypass mode.

Clean Solutions filters provide unsurpassed fluid cleanliness in a single pass. Filter heads have robust, aluminum construction with steel inserts to minimize metal-to-metal bonding, or galling, between the head and the filter. Viton® seals are used to maintain compatibility with most fluids.



### SPECIFICATIONS

<b>Connection</b>	1 1/2" SAE 4-Bolt
<b>Filter Quantity*</b>	2
<b>Max. Flow Range**</b>	125 gpm / 473 lpm
<b>Fluid Compatibility</b>	All diesel fuels and lubricants
<b>Working Pressure</b>	350 psi / 2413 kPa / 24.1 bar
<b>Rated Pressure Burst</b>	800 psi / 5520 kPa / 55.2 bar
<b>Operating Temperature</b>	-40 to 245 °F / -40 to 118 °C
<b>Visual Service Indicator</b>	50 psi
<b>Construction</b>	Aluminum head with threaded steel inserts and Viton™ seals
<b>Compatible Filters</b>	DBB8664, DBB8665, DBB8666, DBB5333, DBB0248, DBB8777, DBB7733



\*Filters sold separately

\*\*Actual flow rate varies based on fluid viscosity, pumping pressure and filter loading.

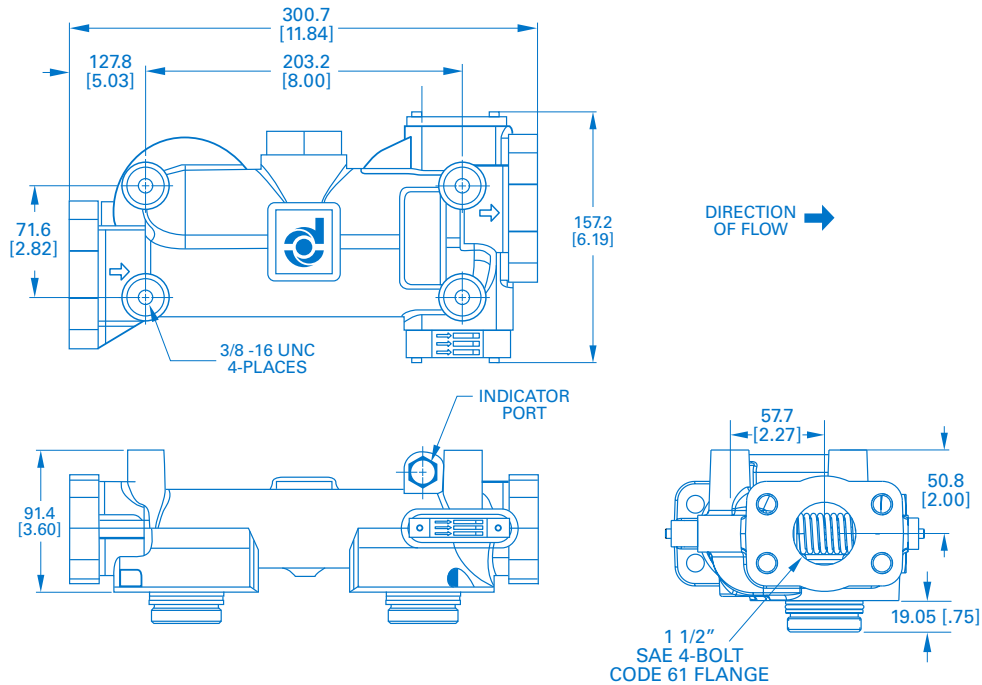
### FEATURES

- 50 PSI bypass valve
- 50 PSI visual service indicator can be mounted on either side of the head by interchanging with blanking plate
- Can easily be installed in Clean Solutions manifolds at the factory or in the field

### APPLICATIONS

- Filtration circuits that can't lose flow (inline lube)
- Circuits where the pump is not equipped with or can't go into bypass
- Bypass is NOT recommended for most single pass transfer applications

## DIMENSIONS



## INSTALLATION

- Install on pressure side of pump with arrows pointing in direction of flow
- If needed, use thread sealant to install pipe fittings to convert head to existing connections
- Install filter head(s) into the system per local codes and regulations
- Bolts for the indicator and blanking plates are different lengths, to avoid mix-up
- Ensure sealing face is clean, then oil lightly o-rings on both head and filter
- Allow 1 1/2" / 38.1 mm clearance to change filters
- Not for use in high pressure applications (over 350 psi / 2413 kPa / 24.1 bar)

## REPLACEMENT PARTS & MAINTENANCE SCHEDULE

- Use with Clean Solutions filter models DBB8664, DBB8665, DBB8666, DBB5333, DBB0248
- Service filter when flow slows or predetermined differential pressure is reached
- When a dual head is used, always change both filters, using identical filter model for both
- When adding water absorbers, connect two dual heads in series with particulate filters primary and water absorbing filters second
- Isolate head and relieve pressure prior to servicing
- Loosen filter by rotating counter clockwise using strap wrench
- Install clean filter by rotating clockwise, tighten 1/2 turn after filter seats in gasket  
Use strap wrench if needed, but do not over tighten
- Dispose of used filter appropriately

MyCleanDIESEL.com

**Achieve More.**

Visit [MyCleanDiesel.com](http://MyCleanDiesel.com)  
for your own Clean Solutions.



Donaldson Company, Inc.  
Minneapolis, MN USA

855-518-7784 (USA/Canada)

[MyCleanDiesel.com](http://MyCleanDiesel.com)  
[donaldsonfilters.com](http://donaldsonfilters.com)

**Need a Clean Solution?**

As a global organization, we have offices throughout the world. Please direct your inquiry to [clean.solutions@donaldson.com](mailto:clean.solutions@donaldson.com). This will enable us to address your inquiry in the shortest possible time.

Mexico	Brazil	South East Asia	Korea
Latin America	Europe & Middle East	Greater China	Australia
Caribbean	South Africa	Japan	India

Brochure No. F111526 ENG (2/15)

© 2014 Donaldson Company, Inc. All rights reserved. Donaldson Company, Inc. reserves the right to change or discontinue any model or specification at any time and without notice. Printed in the U.S.A.