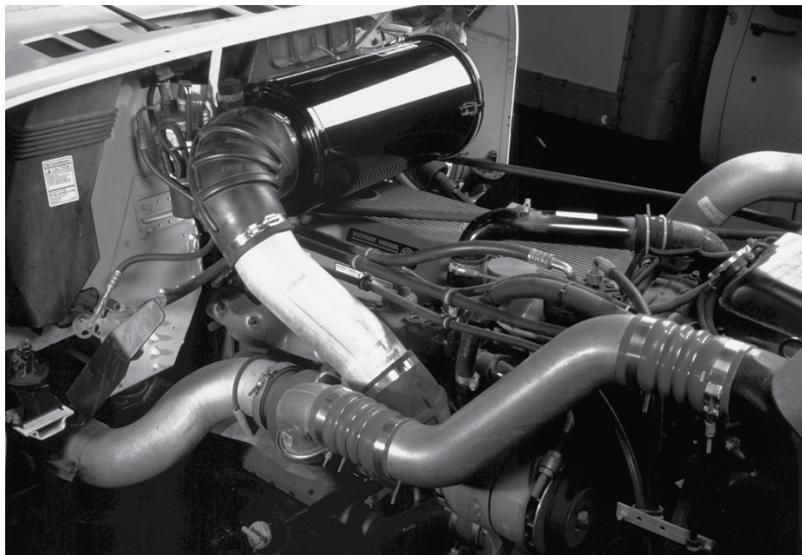
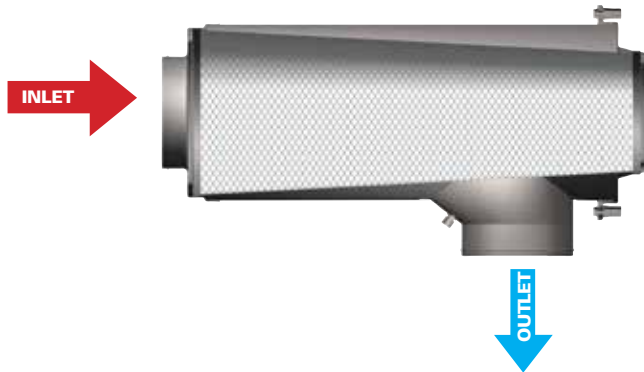


**FLOW** **A** Air in the End, Out the Side



Because of the cone-shaped filter inside the housing, EBA Konepac™ is smaller in size compared to the ERA without sacrificing airflow. This allows trucks to meet width requirements in all states.

Picture of A112018 air cleaner with service cover on the opposite end of the inlet.



**Applications**

- Light-dust, single-stage air cleaner
- Typically mounted horizontally, underhood.

**When Selecting an Air Cleaner . . .**

Service parts for this axial style air cleaner may not be available due to newer filtration technology and housing designs. Donaldson now recommends RadialSeal™ style air cleaners for new applications.

If you do prefer this air cleaner style, please use the air cleaner selection steps outlined on the inside cover to determine which air cleaner is best for your engine.

**Initial Airflow Restriction\***

CFM @ "H <sub>2</sub> O	6"	8"	10"	Air Cleaner Model
<b>STYLE KPI</b>				
1150	1300	1475		A112018
<b>STYLE KPII</b>				
875	1000	1130		A092037
1140	1300	1450		A112078
1400	1640	1850		A132001

\*Results generated using laboratory testing pursuant to ISO5011. Actual performance during use may vary depending on multiple factors, including specific product configuration, external conditions and application.

**Looking for the EBA Cylindrical models?**

The four models previously available have been replaced by a more reliable ERA RadialSeal style air cleaner design. The ERA models are a direct replacement to the older axial seal air cleaner models.

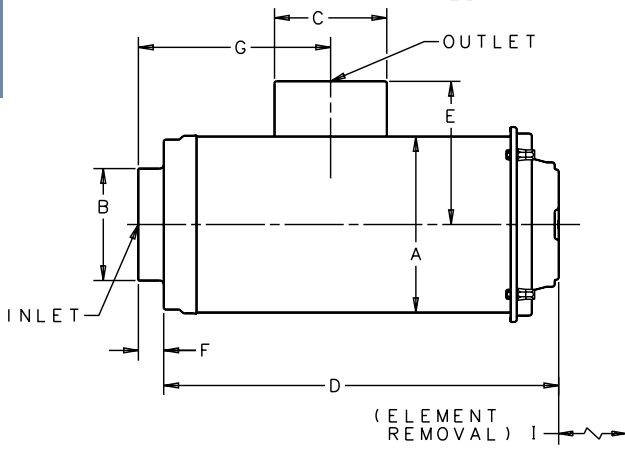
A110009 use A110052  
A150039 use A150141

A130045 use A130115  
A150128 use A150138

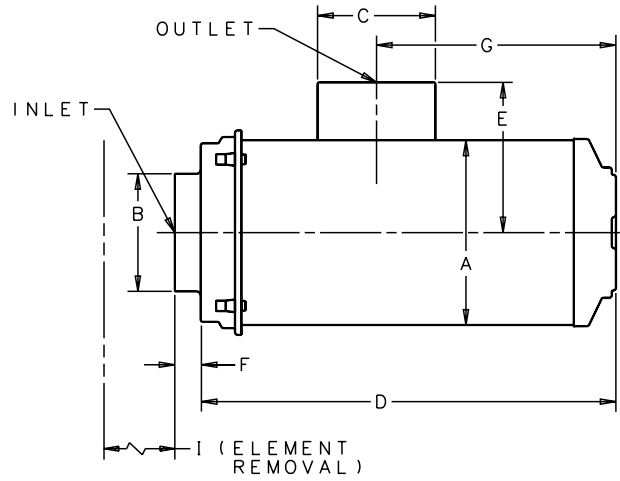


## EBA Konepac™ Specification Illustrations

**Style Konepac I (KPI)**  
Service cover opposite the inlet end



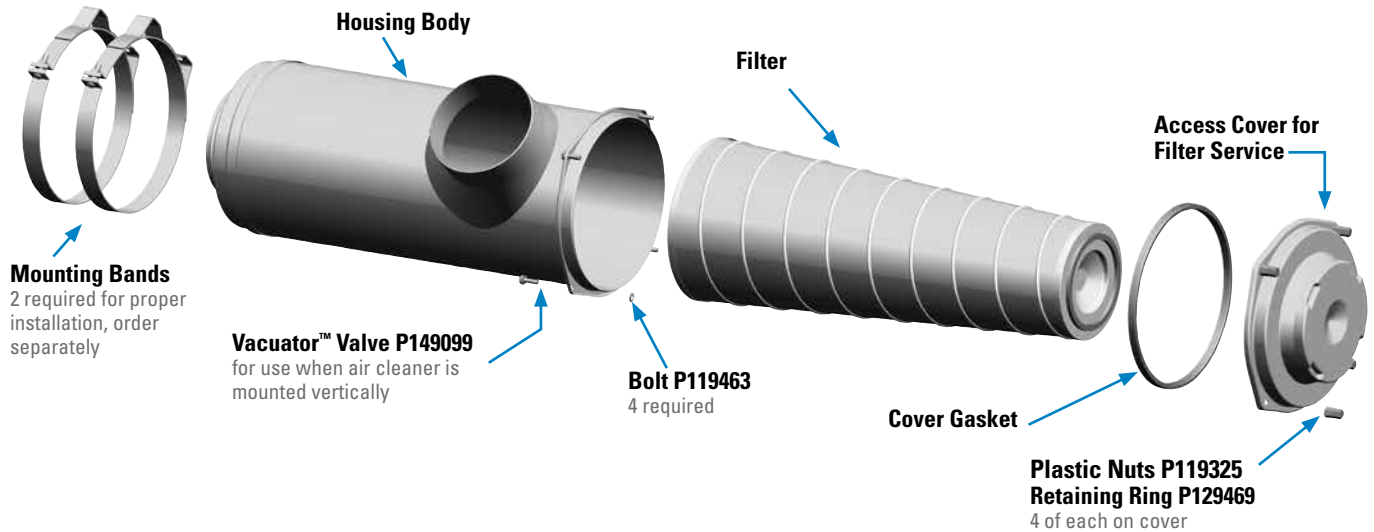
**Style Konepac II (KPII)**  
Service cover on inlet end



### EBA Konepac™ Specifications

Air Cleaner Models	Body Diameter (A)		Inlet Diameter (B)		Outlet Diameter (C)		Length (D)		(E)		Inlet Length (F)		(G)		Service Clearance (I)		Service Indicator Tap	Weight	
	in	mm	in	mm	in	mm	in	mm	in	mm	in	mm	in	mm	in	mm		lbs	kg
<b>STYLE KPI</b>																			
A112018	11.00	279	7.00	178	7.00	178	28.62	727	8.95	227	1.58	40	22.20	564	28.00	711	Yes	39.0	17.8
<b>STYLE KPII</b>																			
A092037	9.00	229	6.00	152	6.00	152	28.63	727	7.85	199	1.18	30	10.00	443	27.62	702	Yes	21.5	9.5
A112078	11.00	279	7.00	178	7.00	178	28.67	728	8.95	227	1.58	40	8.00	203	28.00	711	Yes	30.0	13.6
A132001	13.00	330	8.00	203	8.00	203	28.59	726	10.00	254	2.38	60	7.50	191	28.00	711	No	42.0	19.0

**EBA Konepac Service Parts & Accessories**  
(KPII style shown)



A092037	Style KPII	
Elbow, 45°		P105547
Elbow, 90°		P105535
Filter, primary		P140822
Filter, primary-Donaldson Blue®	DBA5025	
Filter, primary treated		P129472 .....1,3
Gasket, cover		P120597
Hump hose		P105612
Informer™ indicator 25" H <sub>2</sub> O		X002277
Inlet hood, metal		H000275
Inlet hood, plastic		H000606
Mounting bands, metal		P004073
Nut, plastic		P119325
Outlet band clamp		P148347
Retaining ring		P129469
Vacuator™ Valve		P149099

A112078	EBA KPII	
Elbow, 45°		P105548
Elbow, 90°		P105536
Filter, primary		P151097
Filter, primary-Donaldson Blue®	DBA5024	
Filter, primary treated		P129396 .....1,3
Gasket, cover		P155211
Hump hose		P105613
Informer™ indicator 25" H <sub>2</sub> O		X002277
Inlet hood, metal		H000339
Inlet hood, plastic		H000607
Mounting band, metal		P004079 .....2
Nut, plastic		P119325
Outlet band clamp		P148348
Retaining ring		P129469
Vacuator™ Valve		P149099

A112018	EBA KPI	
Elbow, 45°		P105548
Elbow, 90°		P105536
Filter, primary		P151097 .....3
Filter, primary-Donaldson Blue®	DBA5024	
Filter, primary treated		P129396 .....1
Gasket, cover		P155211
Hump hose		P105613
Informer™ indicator 25" H <sub>2</sub> O		X002277
Inlet hood, metal		H000339
Inlet hood, plastic		H000607
Mounting band, metal		P004079 .....2
Nut, plastic		P119325
Outlet band clamp		P148348
Retaining ring		P129469
Vacuator™ Valve		P149099

A132001	EBA KPII	
Elbow, 45°		P112606
Elbow, 90°		P112605
Filter, primary		P141228 .....3
Filter, primary-Donaldson Blue®	DBA5026	
Gasket, cover		P155264
Hump hose		P112608
Informer™ indicator 25" H <sub>2</sub> O		X002277
Inlet hood, plastic		H001053
Mounting band, metal		P013722 .....2
Nut, plastic		P119325
Outlet band clamp		P629991
Retaining ring		P129469
Vacuator™ Valve		P149099

**NOTES:**

- 1 = Filter is treated with chemical for carbon resistance and is not cleanable
- 2 = Two required for proper installation
- 3 = Shipped with air cleaner initially

Donaldson Blue® = High Efficiency, Extended Service



This servicing information is provided as a best practices guide. It is not intended to replace or supersede the service instructions supplied by your engine or vehicle manufacturer.

### 1 Check the Restriction

Measure the restriction of the air cleaner with a Donaldson filter service indicator, service gauge, or a water manometer.

Replace the filter only when the restriction level has reached the maximum recommended by the engine or equipment manufacturer or on a regular service schedule.



### 2 Gently Remove the Old Filter

Switch the engine off. Handle the dirty filter gently, until it is clear of the air cleaner housing. Accidental bumping will shake dirt loose inside the filter housing.



### 3 Clean the Inside of the Housing

Always clean the inside of the housing. Dirt left in the air cleaner housing can potentially damage your engine.

Use a clean, damp cloth to wipe every surface clean. Ensure that the outlet tube sealing area is clean and undamaged.



### 4 Check the Inside Visually Before Installing the Filter

Always clean the gasket sealing surface. An improper gasket seal is one of the most common causes of engine contamination. Make sure that all hardened dirt ridges are completely removed, both on the bottom and top of the air cleaner housing.

Check for uneven dirt patterns. Your old filter has valuable clues to dust leakage or gasket sealing problems. A pattern on the filter's clean side is a sign that the old filter was not firmly sealed or that a dust leak exists. Identify the cause of that leak and rectify it before installing a new filter.



## 5 Inspect the New Filter Before Installation

Check the new filter, but don't install it if it appears damaged. Check that the gasket is easily compressible and springs back promptly when finger pressure is released.



## 6 Install the New Filter

It is important to change the new supplied cover gasket with each filter service. Ensure that the filter is the correct size for the housing and install the filter, making sure the gasket seats evenly for a perfect seal. Without a proper seal, dirty air can by-pass the filter.



## 7 Ensure Air-tight Fit on All Connections and Ducts

Check that all clamps and flange joints are tight, as well as the air cleaner mounting bands. Attend to any leaks immediately to avoid dirt directly entering your engine. If the vehicle is fitted with air brakes, it is important to check the clean air supply hose which feeds the air brake compressor.

