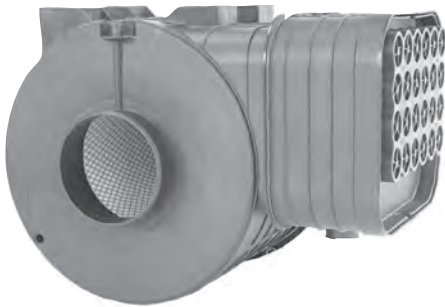
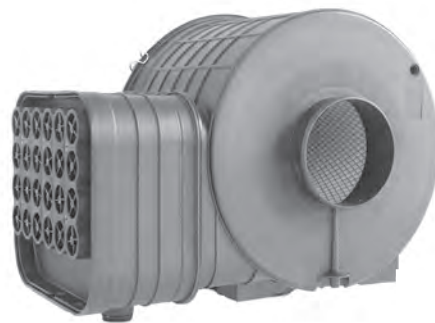


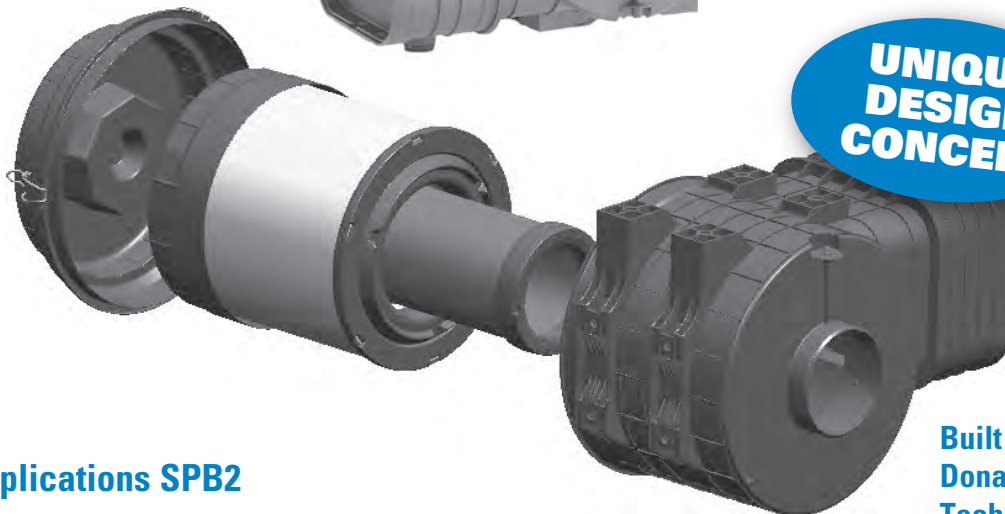
Two-Stage RadialSeal™ Air Cleaners which offer improved reliability and durability, reduced weight and costs and better serviceability



The SPB2 Air Cleaner is a two-stage full plastic air cleaner with built-in high efficiency Pre-Cleaner and RadialSeal™ Sealing Technology. They are suitable for agricultural and construction equipment operating in severe dust environments. To be used with an exhaust ejector. For all available Donaldson Exhaust Ejectors, see page 124-125.



The SPB2 Air Cleaner Products are featuring the Donaldson's Unique Design Concept. For more details on this UDC Feature, see page 7.



**Built with
Donaldson
Technology.**

Applications SPB2

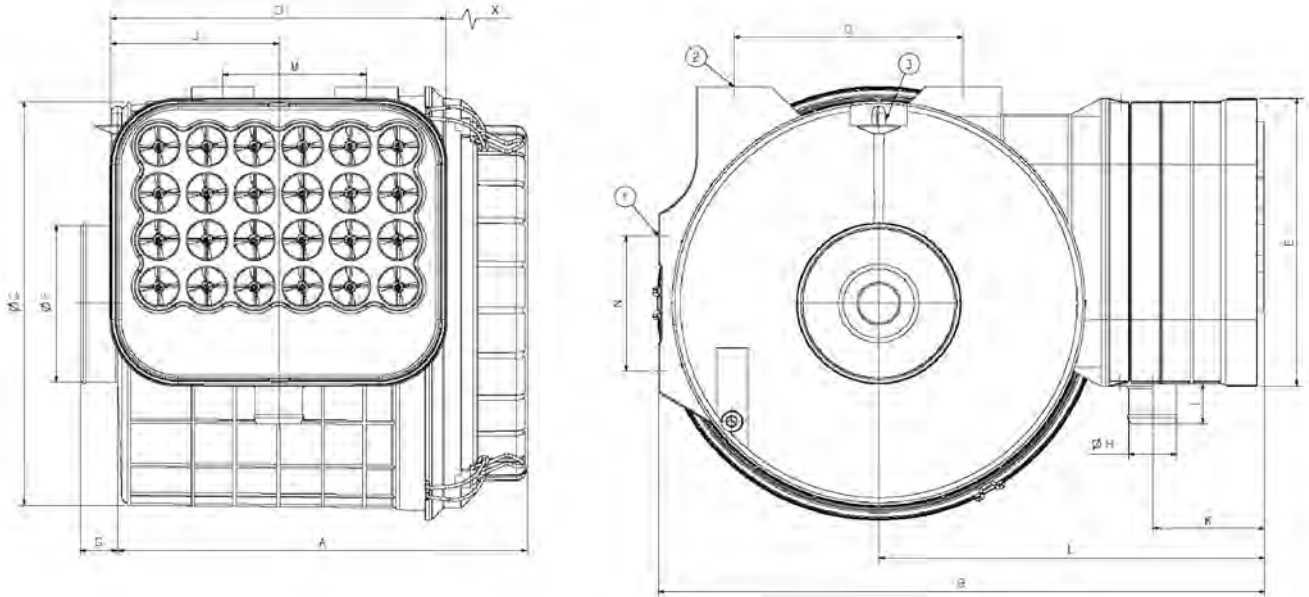
- Can be mounted vertically or horizontally
- Provides variety of airflow volumes to engine: from 6 to 22 m³/min.
- Temperature tolerance: to 83°C continuous / 105°C intermittent

Features SPB2

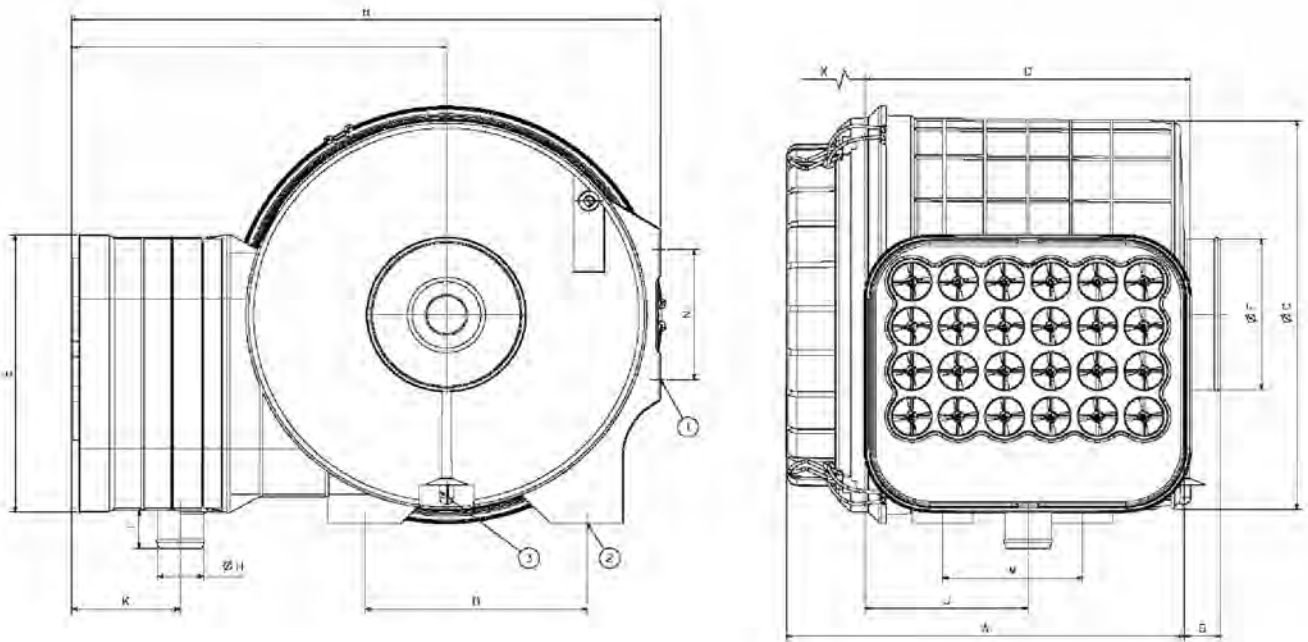
- Body diameter of 13"
- Cost effective / Compact and light weight
- Flexible installation
- Reliable, durable, high-tech and easy to service design
- Proven RadialSeal™ Technology
- Tapped for restriction indicator as standard
- Built-in Strata™ Pre-Cleaner with efficiency of 90 - 93%
- Always to be used with a scavenge system (minimum with 10% scavenge)
- ISO Coarse Dust / ISO 5011 Certificate
- Indicator thread size = 1/8-27NPT (MALE)

SPB2 Specifications

B130048



B130060



- 1) 4 Clips M8 optional – Reference P784517: Plastic bag with 4 U-Clips
- 2) Insert M8
- 3) 1/8 27 NPT

SPB2 Specifications - Service Parts

B130048 + B130060 Dimensions (mm)																
A	B	C	D	E	F	G	H	I	J	K	L	M	N	O	X	Z
325	481	328	266	234	127	30	38	33	133	89	306	114	110	182	75	280

X Free space needed to remove main element
 Z Free space needed to remove cover Airflow = 6-22 m³/min.

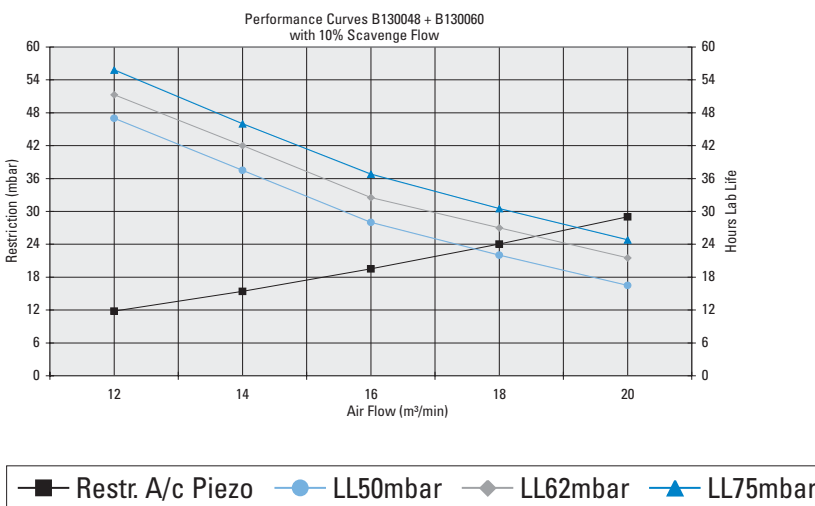
Service Parts				
Air Cleaner Model No.	Main Element	Kit Number •	Access Cover Assy*	Mounting band**
B130048 "	P783543	X770684	P783693	Integrated
B130060 "	P783543	X770684	P783693	Integrated

* Spare Part only ** Two mounting bands needed per air cleaner " Inlet 180° rotated
 • Safety Element can only be bought as a kit meaning together with the main element
 For all available Exhaust Ejectors, see page 124-125

When specifying an Air Cleaner...

Determine the Airflow Requirements of your engine, then find the corresponding m³/min. airflow in the charts below. The restriction numbers - shown in mbar at the left side of the chart - indicate the approximate initial restriction of each model air cleaner at that m³/min. When calculating total initial restriction of the entire air intake system, include the restriction caused by ducting, elbows, pre-cleaners, etc. The estimated lab life hours are indicated at the right side of the chart.

SPB2 Performance Curves

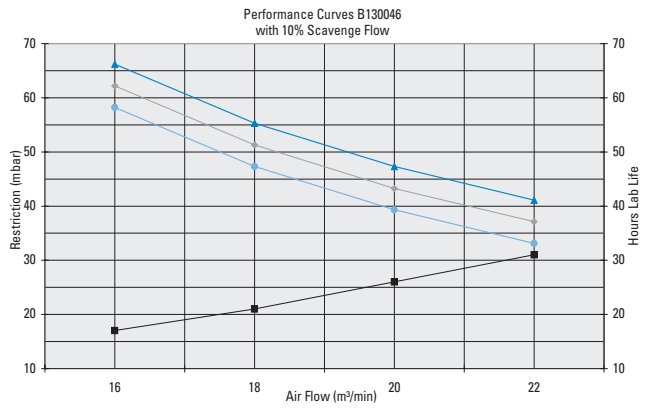
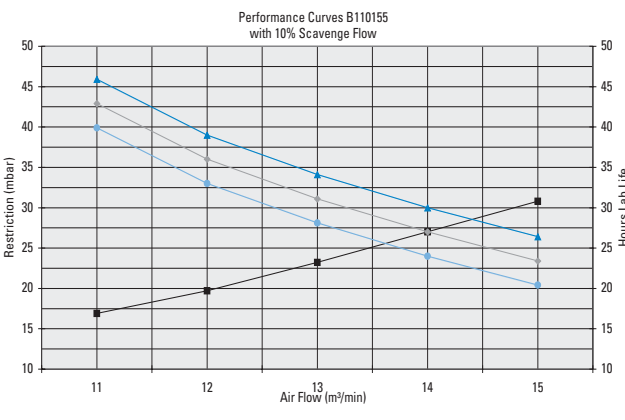
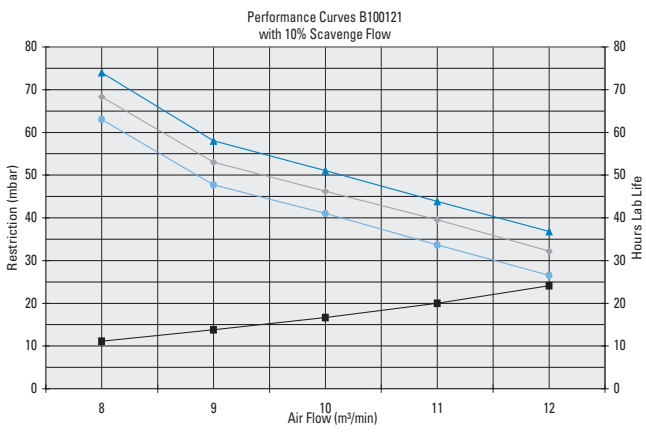
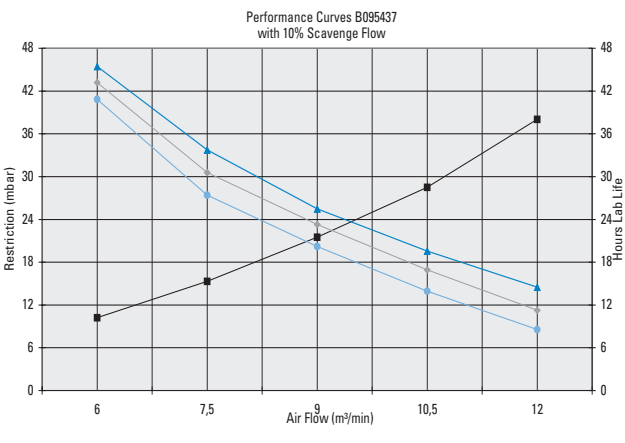


All performance curves are according ISO 5011 standards - Restriction measured at Piezo
 All tests are done with ISO Coarse at Dust Concentration of 1g/m³

When specifying an Air Cleaner...

Determine the Airflow Requirements of your engine, then find the corresponding m³/min. airflow in the charts below. The restriction numbers - shown in kPa at the left side of the chart - indicate the approximate initial restriction of each model air cleaner at that m³/min. When calculating total initial restriction of the entire air intake system, include the restriction caused by ducting, elbows, pre-cleaners, etc. The estimated lab life hours are indicated at the right side of the chart.

SRB Performance Curves



All performance curves are according ISO 5011 standards - Restriction measured at Piezo
 All tests are done with ISO Coarse at Dust Concentration of 1g/m³

1 Remove the Filter

Unfasten or unlatch the service cover.



Rotate the filter while pulling straight out.

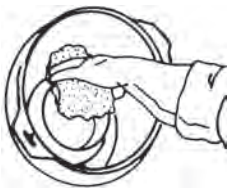
Because the filter fits tightly over the outlet tube to create the critical seal, there will be some initial resistance, similar to breaking the seal on a jar. Gently move the end of the filter back and forth to break the seal then rotate while pulling straight out. Avoid knocking the filter against the housing.



If your air cleaner has a safety filter, replace it every third primary filter change. Remove the safety filter as you would the primary filter. Make sure you cover the air cleaner outlet tube to avoid any unfiltered contaminant dropping into the engine.

2 Clean Both Surfaces of the Outlet Tube and Check the Vacuator™ Valve

Use a clean cloth to wipe the filter sealing surface and the inside of the outlet tube. Contaminant on the sealing surface could hinder an effective seal and cause leakage. Make sure that all contaminant is removed before the new filter is inserted. Dirt accidentally transferred to the inside of the outlet tube will reach the engine and cause wear. Engine manufacturers say that it takes only a few grams of dirt to "dust" an engine! Be careful not to damage the sealing area on the tube.



Outer edge of the outlet tube

Wipe both sides of the outlet tube clean.



Inner edge of the outlet tube

If your air cleaner is equipped with a Vacuator Valve

Visually check and physically squeeze to make sure the valve is flexible and not inverted, damaged or plugged.



3 Inspect the Old Filter for Leak Clues

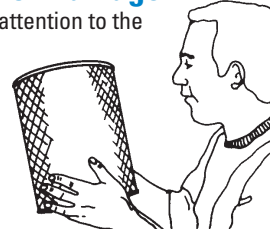
Visually inspect the old filter for any signs of leaks. A streak of dust on the clean side of the filter is a telltale sign. Remove any cause of leaks before installing new filter.



4 Inspect the New Filter for Damage

Inspect the new filter carefully, paying attention to the inside of the open end, which is the sealing area.

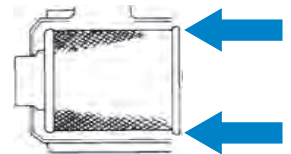
NEVER install a damaged filter. A new Donaldson radial seal filter may have a dry lubricant on the seal to aid installation.



5 Insert the New Radial Seal Filter Properly

If you're servicing the safety filter, this should be seated into position before installing the primary filter.

Insert the new filter carefully. Seat the filter by hand, making certain it is completely into the air cleaner housing before securing the cover in place.



The critical sealing area will stretch slightly, adjust itself and distribute the sealing pressure evenly. To complete a tight seal, apply pressure by hand at the outer rim of the filter, not the flexible center. Avoid pushing on the center of the urethane end cap. No cover pressure is required to hold the seal. NEVER use the service cover to push the filter into place! Using the cover to push the filter in could cause damage to the housing, cover fasteners and will void the warranty.

If the service cover hits the filter before it is fully in place, remove the cover and push the filter (by hand) further into the air cleaner and try again. The cover should go on with no extra force.

Once the filter is in place, secure the service cover.

Caution

NEVER use the service cover to push the filter into place! Using the cover to push the filter in could cause damage to the housing, cover fasteners and will void the warranty.



6 Check Connectors for Tight Fit

Make sure that all mounting bands, clamps, bolts, and connections in the entire air cleaner system are tight. Check for holes in piping and repair if needed. Any leaks in your intake piping will send dust directly to the engine!