



#### Mix&Match to Get What You Need

Donaldson's Mix&Match system provides the great performance and functional advantages of custom-engineered filters with the convenience and speedy delivery of in-stock parts. Choose your options and build a filter model that exactly suits your cleanliness requirements.

#### Technical Data

- Operating pressure up to 3000 kPa (30 bar).
- Static pressure testing up to 4500 kPa (45 bar).
- By-pass valve setting 30 kPa (0,3 bar) per ISO 3968.
- Operating temperature -20 +120°C.
- Compatibility with hydraulic fluids per ISO 2943.
- Flow rate and pressure drop per ISO 3968 with oil kinematic viscosity 30 cSt at 40°C and density 0,875 kg/dm<sup>3</sup>.
- Flange per SAE J518: 3000 PSI.

#### Filter Elements

- Wire mesh: 60-90 micron.
- Cellulose media: 36-50 micron.
- Synteq® synthetic media: 11-23 micron.
- Collapse resistance 1000 kPa (10 bar) per ISO 2941.
- Replacement element includes spring and O-ring seal.



## Components

Family	WIRE MESH				CELLULOSE MEDIA				SYNTHETIC MEDIA				CARTRIDGE CODE
	/9		/6		/3		/1		/03		XP10		
	90µm		60µm		$\beta_{50\mu m(e)} \geq 1000$		$\beta_{36\mu m(e)} \geq 1000$		$\beta_{23\mu m(e)} \geq 1000$		$\beta_{11\mu m(e)} \geq 1000$		
	RMF		RMF	RMF		RMF		RMF		RMF			
FLA50	20	P171518	20	P171523	15	P171522	15	P171521	10	P171520	10	P171519	CR50
FLA100	40	P171530	40	P171535	30	P171534	30	P171533	25	P171532	25	P171531	CR100
FLA150	65	P171584	65	P171589	55	P171588	55	P171587	45	P171586	45	P171585	CR125
FLA180	90	P171536	90	P171541	60	P171540	60	P171539	55	P171538	55	P171537	CR180
FLA200	100	P171596	100	P171601	70	P171600	70	P171599	80	P171598	80	P171597	CL200
FLA250	125	P171590	125	P171595	80	P171594	80	P171593	70	P171592	70	P171591	CR220
FLAF 250	125	P171590	125	P171595	80	P171594	80	P171593	70	P171592	70	P171591	CR220
FLA330	170	P171560	170	P171565	110	P171564	110	P171563	90	P171562	90	P171561	CR330
FLAF 330	170	P171560	170	P171565	110	P171564	110	P171563	90	P171562	90	P171561	CR330
FLA500	250	P171566	250	P171571	200	P171570	200	P171569	170	P171568	170	P171567	CR500
FLAF 500	250	P171566	250	P171571	200	P171570	200	P171569	170	P171568	170	P171567	CR500
FLAF 800	300	P171578	300	P171583	250	P171582	250	P171581	200	P171580	200	P171579	CR800

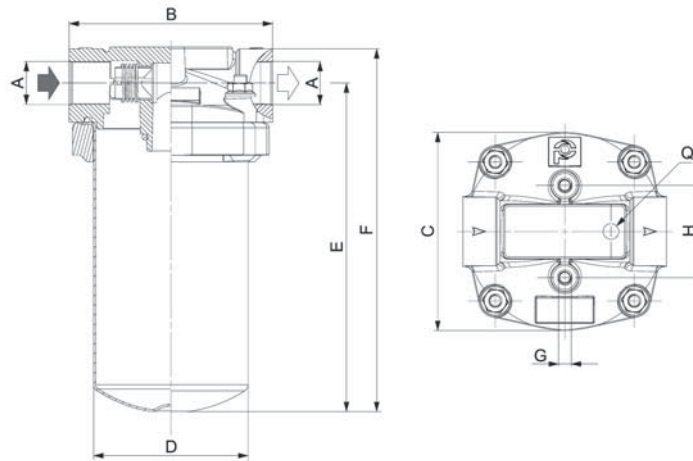
RMF = Recommended Maximum Flow in liters/minute with use of standard housing.

All housings are predrilled and holes are plugged, you are not obliged to install an indicator.

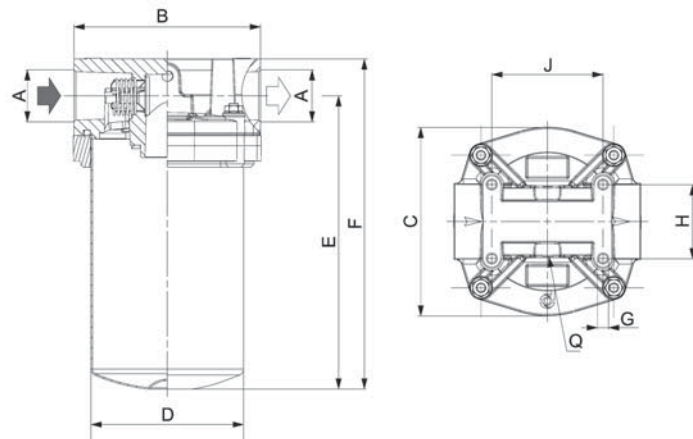
The Bypass valve is installed in the head of the filter. The Cartridges have also a Bypass valve, but at a higher setpoint.

SUCTION FILTERS  
IN-LINE

FLA 50-180



FLA 200



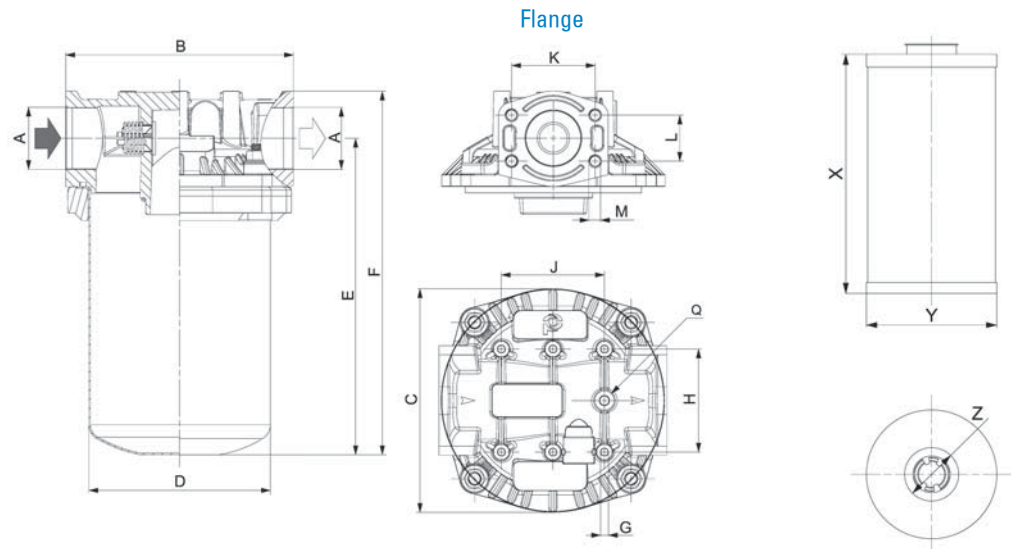


Standard Housing without Cartridge	HOUSING DIMENSIONS															
	A	B	C	D	E	F	G	H	J	K	L	M	N	P	Q	R
		mm	mm	mm	mm	mm	mm	mm	mm	mm	mm	mm	mm	bar	predrilled holes	plugged
P766484	G1/2	119	116	90	140	161	M8	54	-	-	-	-	-	0,3	G 1/8	YES
P766485	G3/4	119	116	90	192	213	M8	54	-	-	-	-	-	0,3	G 1/8	YES
P766486	G1	140	135	109	246	277	M8	68	-	-	-	-	-	0,3	G 1/8	YES
P766487	G1 1/4	140	135	109	284	314	M8	68	-	-	-	-	-	0,3	G 1/8	YES
P766488	G1 1/4	151	153	123	238	268	M8	60	90	-	-	-	-	0,3	G 1/8	YES
P766489	G1 1/2	212	208	169	225	269	M8	96	96	-	-	-	-	0,3	G 1/8	YES
P766490	Flange 1" 1/2	212	208	169	225	269	M8	96	96	70	36,7	M12	22	0,3	G 1/8	YES
P766491	G1 1/2	212	208	169	295	339	M8	96	96	-	-	-	-	0,3	G 1/8	YES
P766492	Flange 1" 1/2	212	208	169	295	339	M8	96	96	70	36,7	M12	22	0,3	G 1/8	YES
P766493	G2	212	208	169	296	339	M8	96	96	-	-	-	-	0,3	G 1/8	YES
P766494	Flange 2"	212	208	169	295	339	M8	96	96	77,8	42,8	M12	22	0,3	G 1/8	YES
P766495	Flange 2"	212	208	171	495	539	M8	96	96	77,8	42,8	M12	22	0,3	G 1/8	YES

CARTRIDGE DIMENSIONS		
X	Y	Z
mm	mm	mm
75	70	29
128	70	29
169	95	41
209	95	41
180	112	46
136	140	65
136	140	65
203	140	65
203	140	65
203	140	65
203	140	65
400	140	65

POSSIBLE INDICATOR
P171954 P171959 P171967 P173105

FLA 250-800



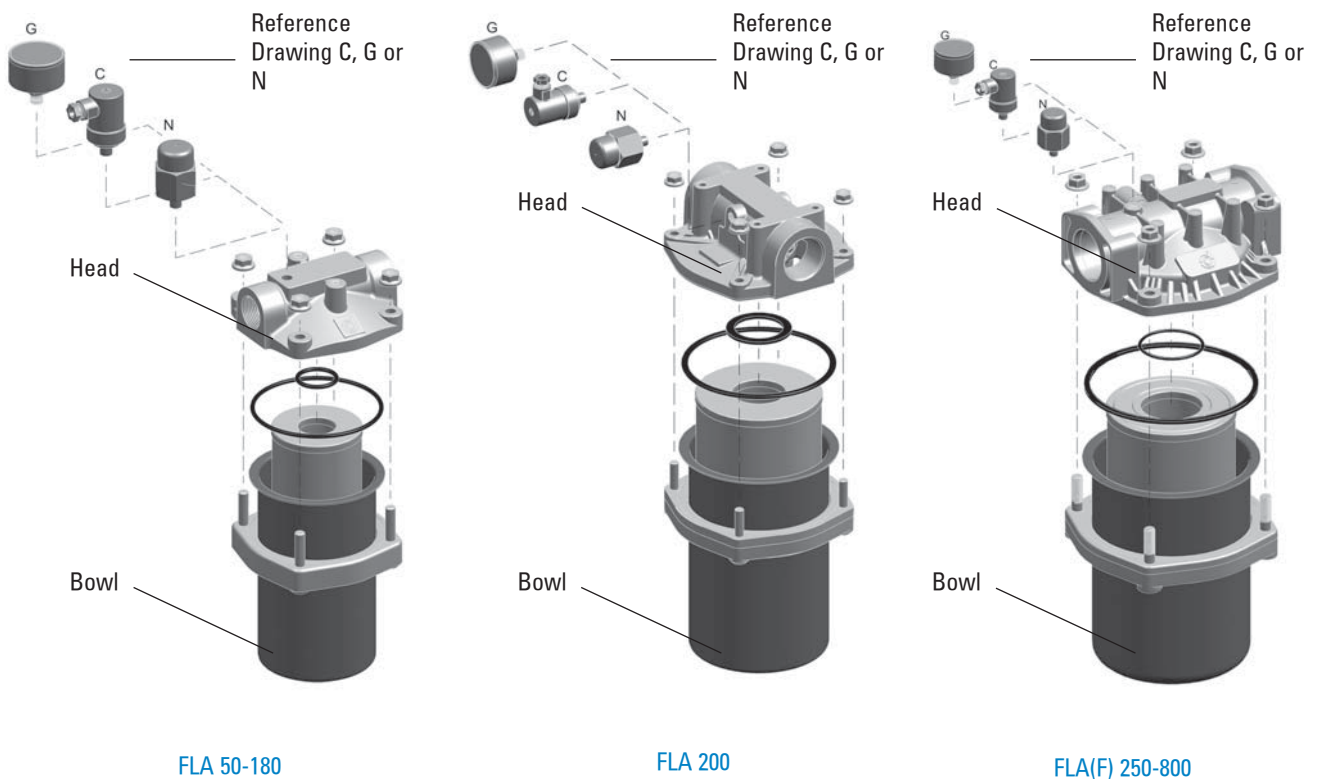
SUCTION FILTERS  
IN-LINE

## Indicator Choices

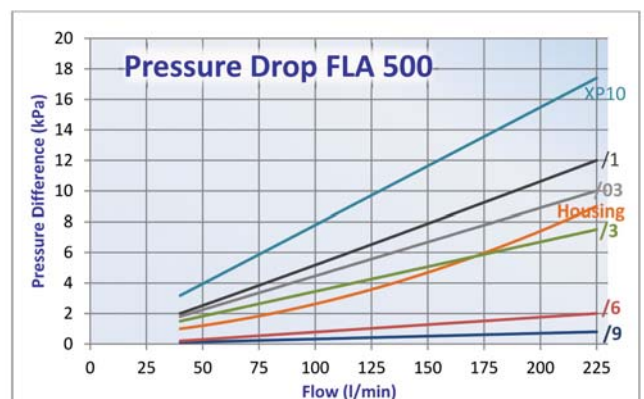
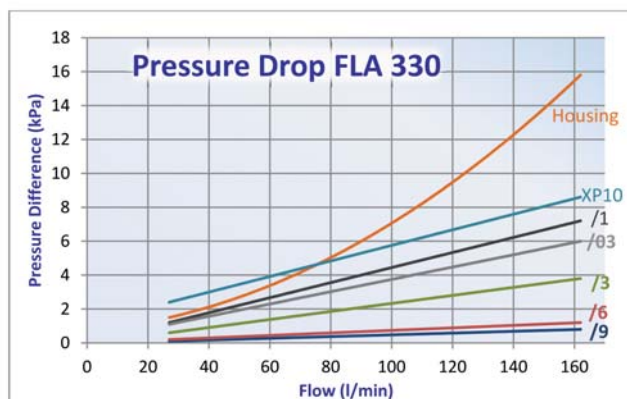
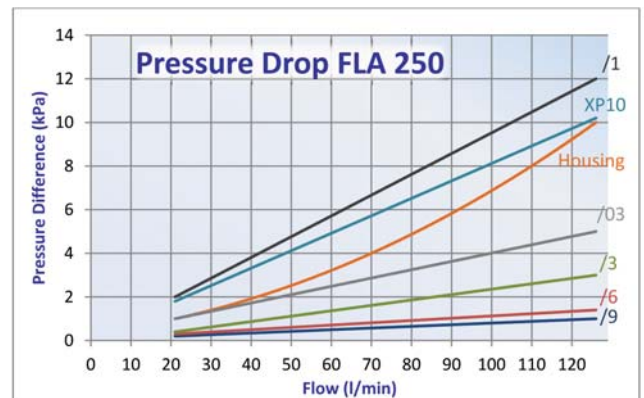
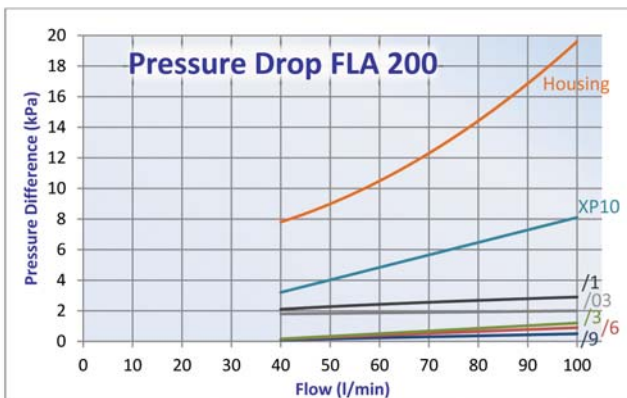
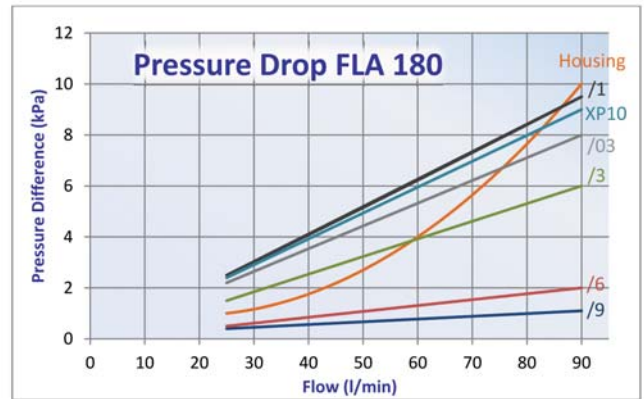
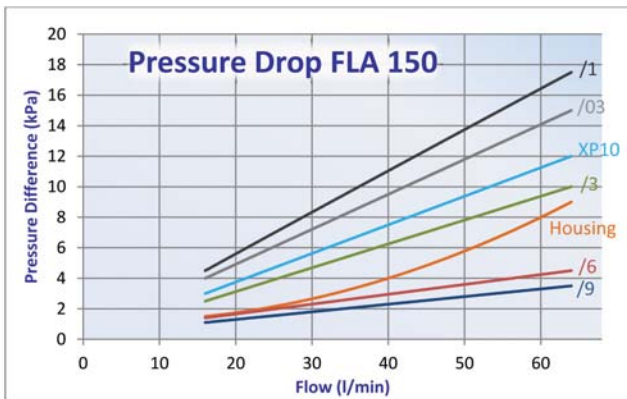
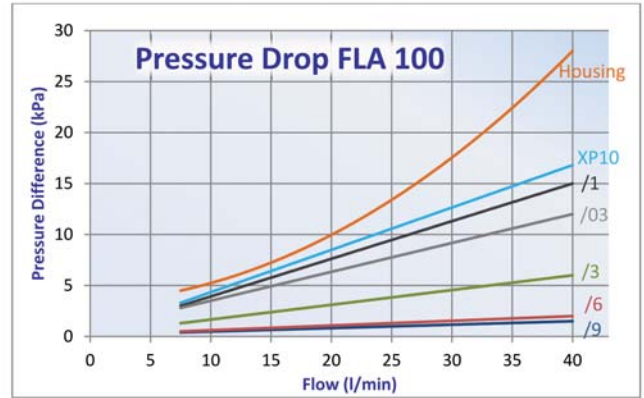
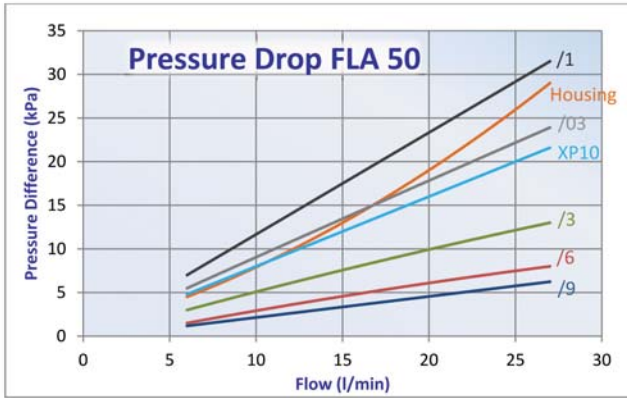
Part	Kind		Reference Drawing	Setting (bar)	Contact	Protection Class	Cable Clamp	Max. Values
P171954	Visual	Vacuum	G	-0,3				
P171959	Visual	Vacuum	N	-0,3				
P171967	Electrical	Vacuum	C	-0,3	Normally Open	IP65	PG7	48 VAC - 30 VDC; 0,5 A res. and 0,2 A ind.
P173105	Electrical	Vacuum	C	-0,3	Normally Closed	IP65	PG7	48 VAC - 30 VDC; 0,5 A res. and 0,2 A ind.

SUCTION FILTERS  
IN-LINE

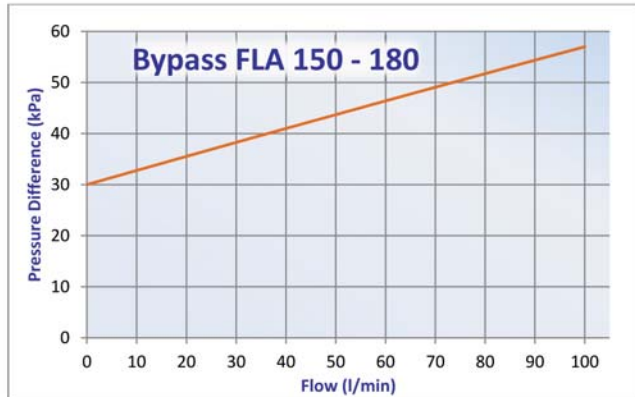
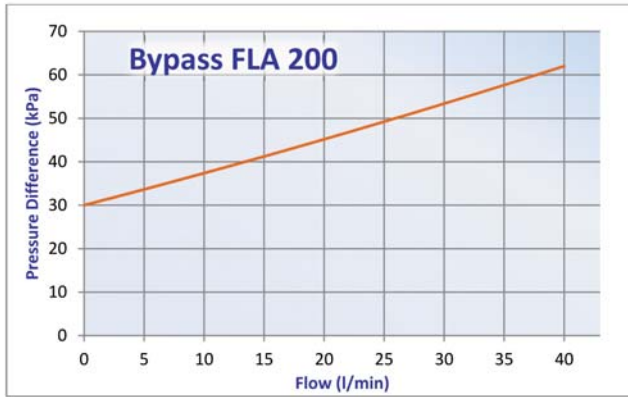
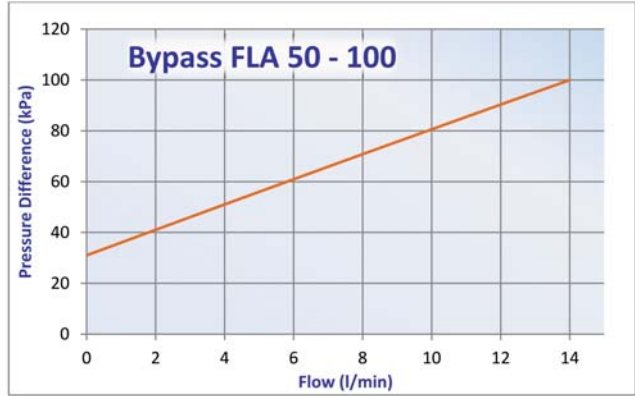
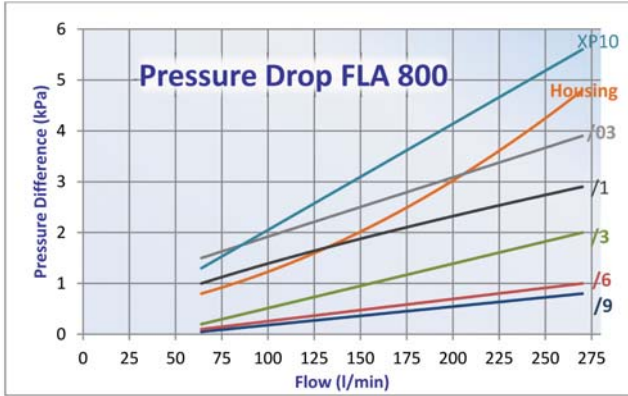
## Installation & Service Guidelines



## Performance Curves



SUCTION FILTERS  
IN-LINE



SUCTION FILTERS  
IN-LINE