



W041

Max Flow: 300 gpm (1135 lpm)

## W041 In-Line Cartridge Filters

### Working Pressures to:

500 psi / 3450 kPa / 34.5 bar

### Rated Static Burst to:

1500 psi / 10,342 kPa / 103.5 bar

### Flow Range To:

300 gpm / 1135 lpm

### Applications

- Fluid Conditioning Systems
- In-Plant Systems
- Lube Oil Systems

### Features

The W041 high flow filter combines the best features of a base-mounted assembly; several inlet port options, top cover filter servicing for ease of maintenance and a wide selection of service indicators. The W041 all-aluminum head design and plated steel cylinder provides a strong, durable, and dependable unit. We offer standard features like deep pleat filters for higher dirt holding capacity and our standard Donaldson DT 4-layer media filter construction. This technology, combined with many other standard features, is ideal for today's applications in pulp and paper, power generation and steel mill applications. Thermal lockout and surge control are two key features incorporated in many of the differential pressure indicators.

- Large T-handle for fast servicing without tools
- Wide range of indicator options
- Two filter length options for design flexibility
- Base material: aluminum
- Cylinder material: steel
- Cover material: cast iron
- Two drain plugs in base
- Bleed/fill plug in cover



### Beta Rating

- Performance to  $\beta_{<40} = 1000$

### Porting Size Options

- 2" or 2½" SAE 4-Bolt Flange Code 61

### Replacement Filter Lengths

- 16.74" / 425.3mm
- 38.62" / 980.9mm

### Standard Bypass Ratings

- 50 psi / 345 kPa / 3.5 bar

### Housing Weight

- 16.74": 48.5 lbs / 22.0 kg
- 38.62": 86.2 lbs / 39.2 kg

### Operating Temperatures

- -20°F to 250°F / -29° to 121°C

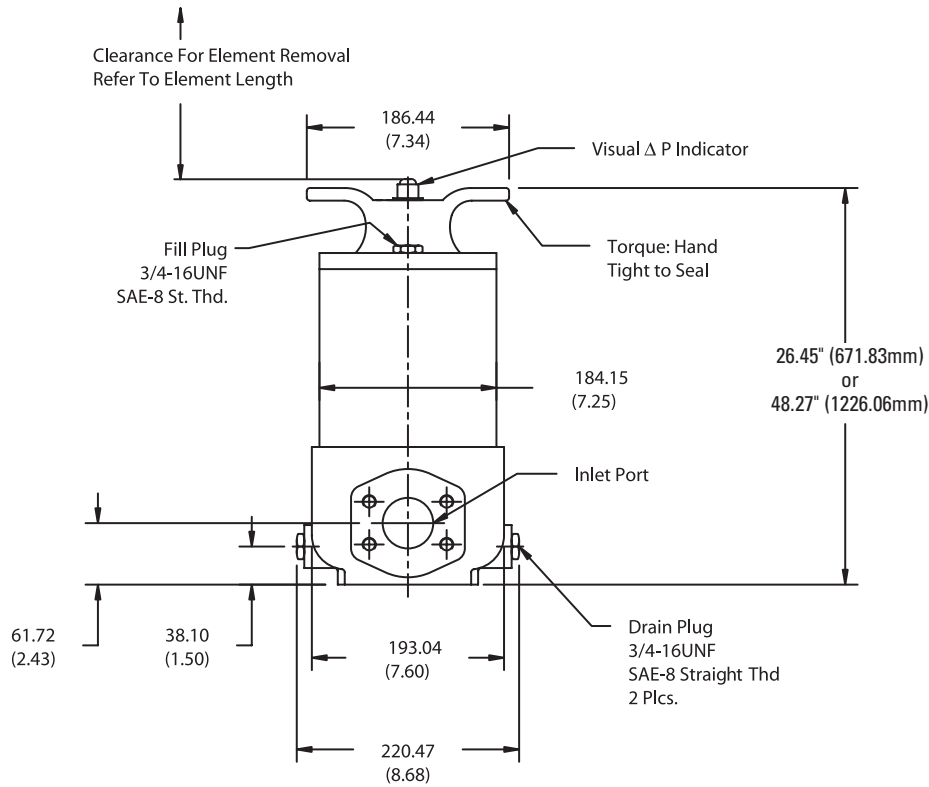
### Filter Collapse Ratings

- 150 psid / 1034 kPa / 10.3 bar (standard)

## W041 Specification Illustrations

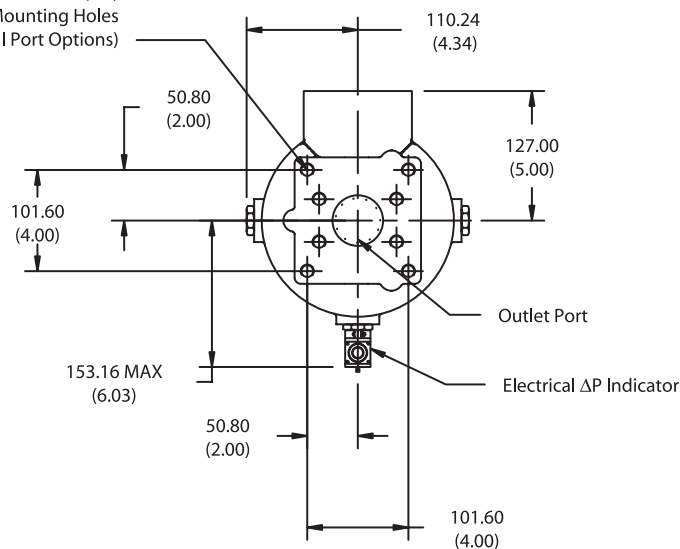
### ASSEMBLY - SIDE VIEW

All dimensions are shown in millimeters [inches].



### HEAD - BOTTOM VIEW

1/2-13UNC-2B Thd x 19.05 (.75)  
Full Thd 4 Mounting Holes  
(For All Port Options)





W041

Max Flow: 300 gpm (1135 lpm)



## W041 Components

### Filter Choices

Media Type	$\beta_{x(c)} = 1000$	Length		Part No.	Comments
	Rating based on ISO 16889	in	mm		
DT Synthetic	<4 $\mu\text{m}$	16.74	425	P566239	DT-8300-16-2UM
	5 $\mu\text{m}$	16.74	425	P566240	DT-8300-16-5UM
	8 $\mu\text{m}$	16.74	425	P566241	DT-8300-16-8UM
	12 $\mu\text{m}$	16.74	425	P566242	DT-8300-16-14UM
	23 $\mu\text{m}$	16.74	425	P566243	DT-8300-16-25UM
	<4 $\mu\text{m}$	38.62	981	P566244	DT-8300-39-2UM
	5 $\mu\text{m}$	38.62	981	P566245	DT-8300-39-5UM
	8 $\mu\text{m}$	38.62	981	P566246	DT-8300-39-8UM
	12 $\mu\text{m}$	38.62	981	P566247	DT-8300-39-14UM
	23 $\mu\text{m}$	38.62	981	P566248	DT-8300-39-25UM
	<4 $\mu\text{m}$	16.10	409	P566249	DT-8310-16-2UM
	5 $\mu\text{m}$	16.10	409	P566250	DT-8310-16-5UM
	8 $\mu\text{m}$	16.10	409	P566251	DT-8310-16-8UM
	12 $\mu\text{m}$	16.10	409	P566252	DT-8310-16-14UM
	23 $\mu\text{m}$	16.10	409	P566253	DT-8310-16-25UM
	<4 $\mu\text{m}$	37.94	964	P566254	DT-8310-39-2UM
	5 $\mu\text{m}$	37.94	964	P566255	DT-8310-39-5UM
	8 $\mu\text{m}$	37.94	964	P566256	DT-8310-39-8UM
	12 $\mu\text{m}$	37.94	964	P566257	DT-8310-39-14UM
	23 $\mu\text{m}$	37.94	964	P566258	DT-8310-39-25UM
Water Absorbing	10 $\mu\text{m}$	37.94	964	P578277	Absorbs 2,000 ml water @ 25 psid

Filter Notes: All Donaldson DT filters utilize glass fiber media with an acrylic-based resin system for the ultimate in chemical compatibility. All Donaldson DT filters are potted and seam-sealed with acrylic-based adhesives. Standard collapse designs are double wire-backed using acrylic-coated steel mesh for maximum pleat support and dirt capacity. Extended life designs are double wire-backed using acrylic-coated steel mesh. Fluorocarbon seals are standard on all Donaldson DT filters.

### Filter Assembly Choices

Size	Rating	Material	Indicator Port	Housing Length	Assembly Length	Part No.
2" SAE 4 Bolt Flange Code 61	50 psi / 3.45 bar	Fluorocarbon	Port Machined & Plugged	16" (406.4mm)	26.45" (671.8mm)	P574218
2-1/2" SAE 4 Bolt Flange Code 61	50 psi / 3.45 bar	Fluorocarbon	Port Machined & Plugged	39" (990.6mm)	48.27" (1226.1mm)	P574219
2" SAE 4 Bolt Flange Code 61	50 psi / 3.45 bar	Fluorocarbon	Port Machined & Plugged	39" (990.6mm)	48.27" (1226.1mm)	P575920
2-1/2" SAE 4 Bolt Flange Code 61	50 psi / 3.45 bar	Fluorocarbon	Port Machined & Plugged	16" (406.4mm)	26.45" (671.8mm)	P575921



## Indicator Choices

Indicator Pressure Setting	Connector Style	Seal Material	Part No.	Thermal Lockout	Surge Control	Reset
<b>Visual Pop-up Models</b>						
35 psi / 241 kPa	NA	Nitrile	P572347	No	No	Auto
35 psi / 241 kPa	NA	Nitrile	P572348	Yes	Yes	Manual
35 psi / 241 kPa	NA	Fluorocarbon	P567456	Yes	Yes	Manual
<b>Electrical / Visual Models</b>						
35 psi / 241 kPa	Hirschman	Nitrile	P572327	No	No	Auto
35 psi / 241 kPa	Brad Harrison	Nitrile	P572329	No	No	Auto
35 psi / 241 kPa	Hirschman	Nitrile	P572384	Yes	Yes	Manual
35 psi / 241 kPa	Hirschman	Fluorocarbon	P567458	Yes	Yes	Manual
35 psi / 241 kPa	Brad Harrison	Nitrile	P572385	Yes	Yes	Manual
35 psi / 241 kPa	3 wire flying leads	Nitrile	P572349	No	No	Auto
<b>Electrical Models</b>						
35 psi / 241 kPa	Hirschman	Nitrile	P572359	No	No	Auto
35 psi / 241 kPa	Brad Harrison	Nitrile	P572361	No	No	Auto

## Service Part Choices

Part No.	Description
X011156	Head/Bowl/Housing Seal Kit - nitrile
X011157	Head/Bowl/Housing Seal Kit - fluorocarbon

## Performance Data

