



HFK08

Max Flow: 300 gpm (1135 lpm)



HFK08 In-Line/Tank Mount Filters

Working Pressures to:

350 psi / 2415 kPa / 24.1 bar

Rated Static Burst to:

500 psi / 3450 kPa / 34.5 bar

Flow Range To:

300 gpm / 1135 lpm

Applications

- Fluid Conditioning Systems
- Lube Oil Systems
- Return Lines
- Side Loop Systems
- Suction Lines

Features

HFK08 is available in two styles: in-line and in-tank. Both styles feature a cast aluminum head and steel body for maximum strength and durability. Its single, center retention bolt simplifies servicing. Flow is from inside to outside of the filter cartridge. Three in-stock HFK08 models offer our proprietary Synteq™ synthetic media designed especially for liquid filtration. A wider range of filter media is available to purchase separately, as are fluoroelastomer seals. A visual service indicator is built into the HFK08 head.



**In-line
model shown**

Beta Rating

- Performance to $\beta_{<40} = 1000$

Porting Size Options

- 3" NPT
- SAE-20 O-Ring

Replacement Filter Lengths

- 18.00" / 457mm

Standard Bypass Ratings

- 25 psi / 172.5 kPa / 1.7 bar

Assembly Weight

- 55.4 lbs / 25.12 kg

Operating Temperatures

- -20°F to 250°F
- -29°C to 121°C

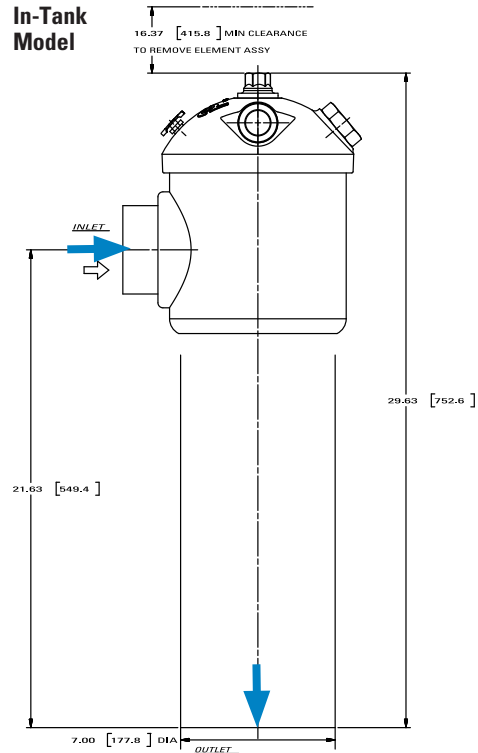
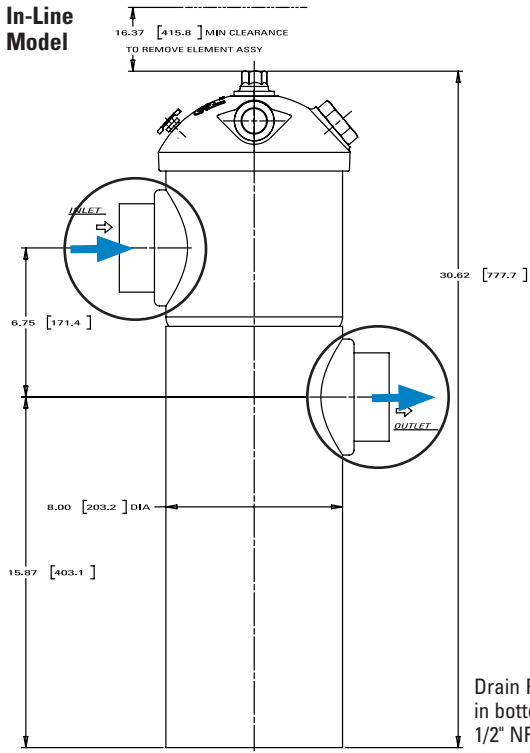
Filter Collapse Ratings

- 75 psi / 517 kPa / 5.2 bar (synthetic)
- 100 psi / 689 kPa / 6.9 bar (wire mesh)

HFK08 Specification Illustrations

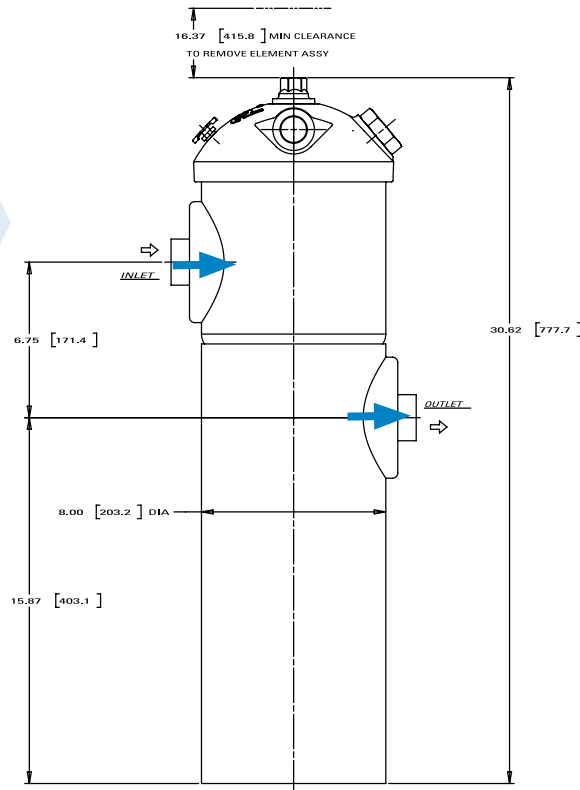
ASSEMBLY - SIDE VIEW

All dimensions are shown in inches [millimeters].

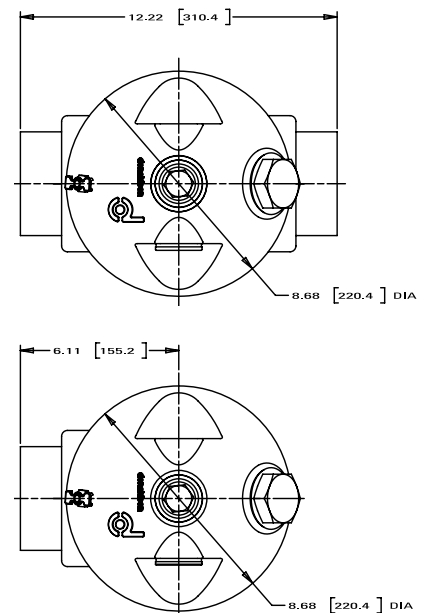


K080087 In-Line Model

Smaller port size (SAE-20) works well for kidney loop filtration.



HEAD - TOP VIEWS





HFK08

Max Flow: 300 gpm (1135 lpm)



HFK08 Components

Filter Choices

Media Type	$\beta_{x(c)} = 2$	$\beta_{x(c)} = 1000$	Length		Part No.
	Rating based on ISO 16889		in	mm	
Synteq Synthetic		<4 μm	18.00	457	P164407 fluorocarbon seal
		<4 μm	18.00	457	P164405
		6 μm	18.00	457	P166462
		11 μm	18.00	457	P176222
		23 μm	18.00	457	P164703
Wire Mesh	45 μm		18.00	457	P173573
	150 μm		18.00	457	P163945

Filter Notes

Standard HFK08 replacement filters have nitrile seals, which are appropriate for most applications involving petroleum oil. Filters with seals made of fluorocarbon are required when using diester, phosphate ester fluids, water glycol, water/oil emulsions, and HWCF (high water content fluids) over 150°F. HFK08 filters are inside to outside reverse flow 4.39" (112mm) OD. Refer to the table in the Technical Reference Guide for fluid compatibility with our filter media.

Filter Assemblies

Port Size	Bypass Rating	Indicator Style' & Location	Assembly Part No.	Length (in/mm)	Filter Part No.
3" NPT	25 psi / 172.5 kPa	Visual, Left side	K080051, In-Tank	18"/457mm	P164703
		Visual, Right side	K080033, In-Line	18"/457mm	P164703
			K080085, In-Line	18"/457mm	P164407 fluorocarbon seal
SAE-20	25 psi / 172.5 kPa	Visual, Right side	K080087, In-Line	18"/457mm	P164405

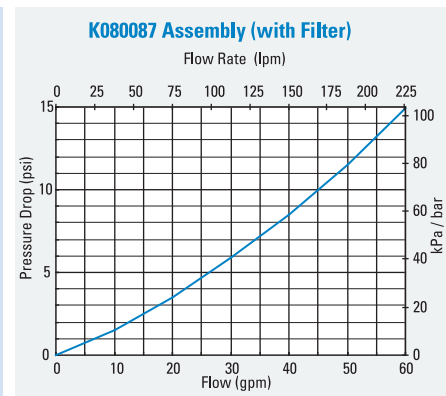
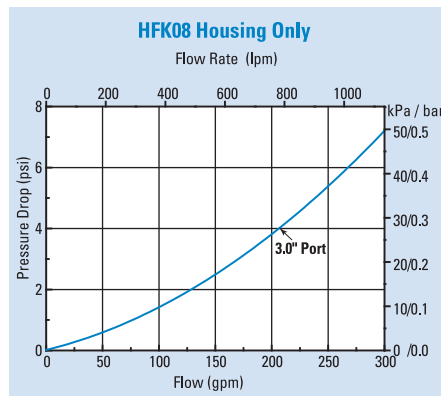
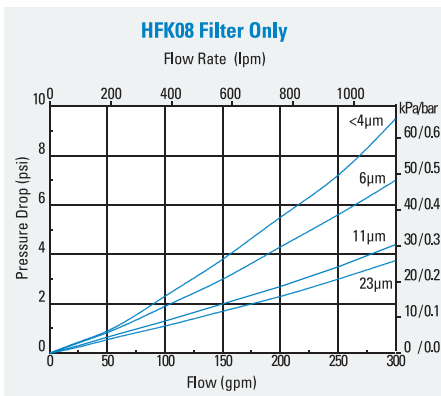
Assembly Notes

'Donaldson uses the inlet port as the reference point. "Left side," for instance, means that the indicator mounts on the side of the filter head that is on your left when you face the inlet port.



The K080087 model has features that are perfect for kidney loop filtration.

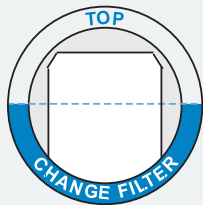
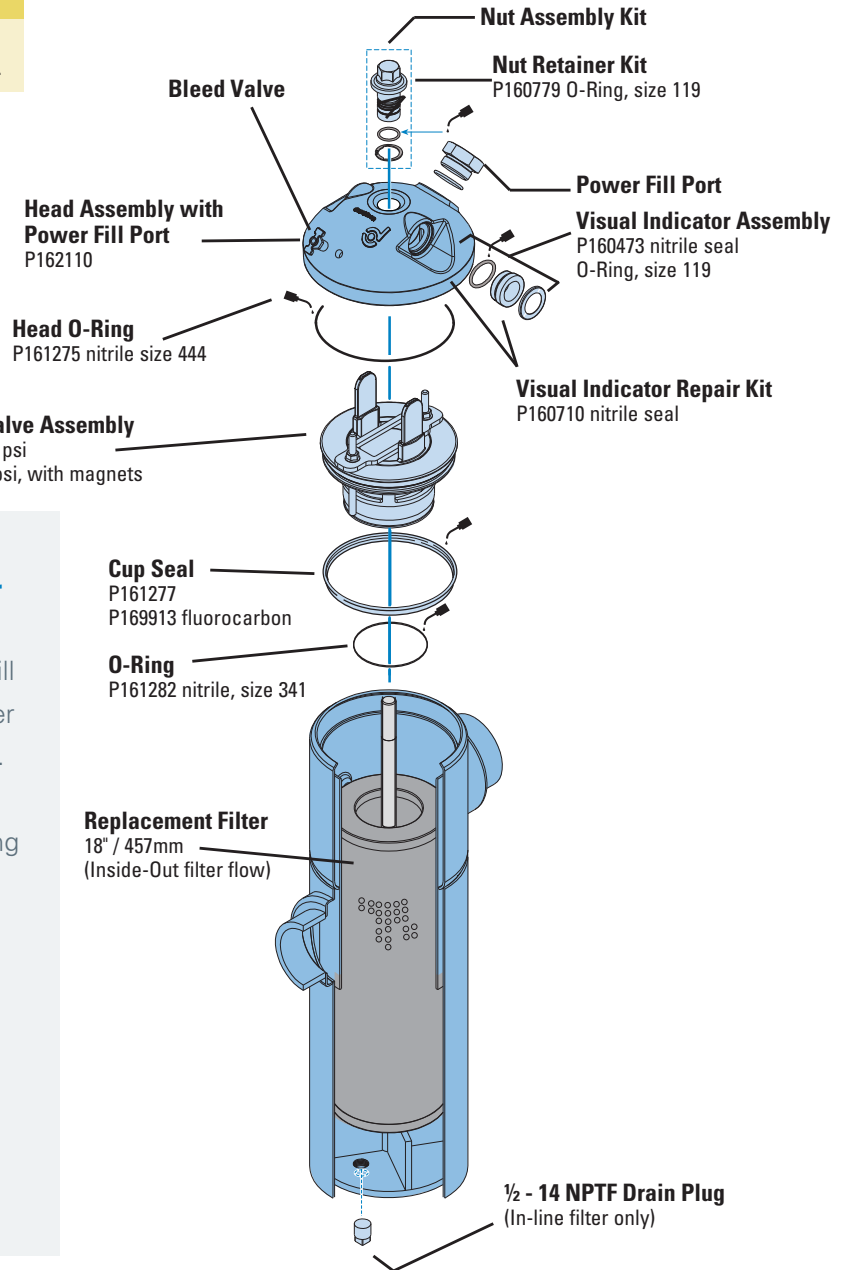
Performance Data



HFK08 Service Parts

SERVICE PARTS NOTE:

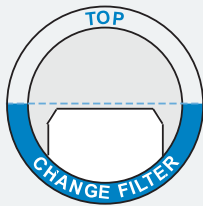
Some service parts may not be stocked. Please contact your Donaldson sales representative for lead time details.



Filter OK

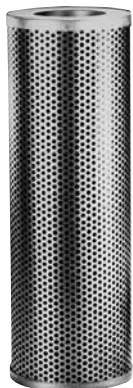
How to Read the Visual Indicator

This simple device will tell you when the filter needs to be changed. Always check when the fluid is at operating temperature and the system is at normal operating flow.



Filter Needs Service

If the top of the white panel is below the lower half of the window, the filter needs servicing.



HFK08 replacement filters are available with synthetic or wire mesh media.

