



DPK350

Max Flow: 100 gpm (379 lpm)



DPK350 In-Line Cartridge Filters

Working Pressures to:

350 psi / 2400 kPa / 24 bar

Rated Static Burst to:

700 psi / 4800 kPa / 48 bar

Flow Range To:

100 gpm / 379 lpm

Applications

- In-plant Systems
- Process Fluids
- Lube Oil Systems

Features

DPK350 duplex filter assemblies allow continuous filtration during filter servicing to avoid machine shutdown. The DPK350 duplex design combines lighter weight aluminum heads with durable steel housings for a high-performance assembly. Choose between optional features such as no by-pass, by-pass valve, visual indicators or combination electrical/visual indicators for a customized assembly that best fits the needs of your specific application. Filter performance ranges from 5 μ to 25 μ at beta 1000 and high collapse elements are available at 5 μ and 27 μ , offering additional flexibility to achieve the filtration level your system requires.

- Head Material: Anodized Aluminum Alloy
- Housing Material: Steel
- Optional visual and visual / electric indicators
- Self locking transfer valve
- Automatic bleed-over valve



Beta Rating

- Performance to β_{slc10} =1000

Porting Size Options

- 1-1/2" SAE 4-Bolt Flange Code 61

Replacement Filter Lengths

- 14.62" / 371mm

Standard Bypass Ratings

- 50 psi / 345 kPa / 3.5 bar
- No bypass

Assembly Weight

- 44 lbs / 20 kg

Operating Temperatures

- -40° to 250°F (-40° to 121°C)

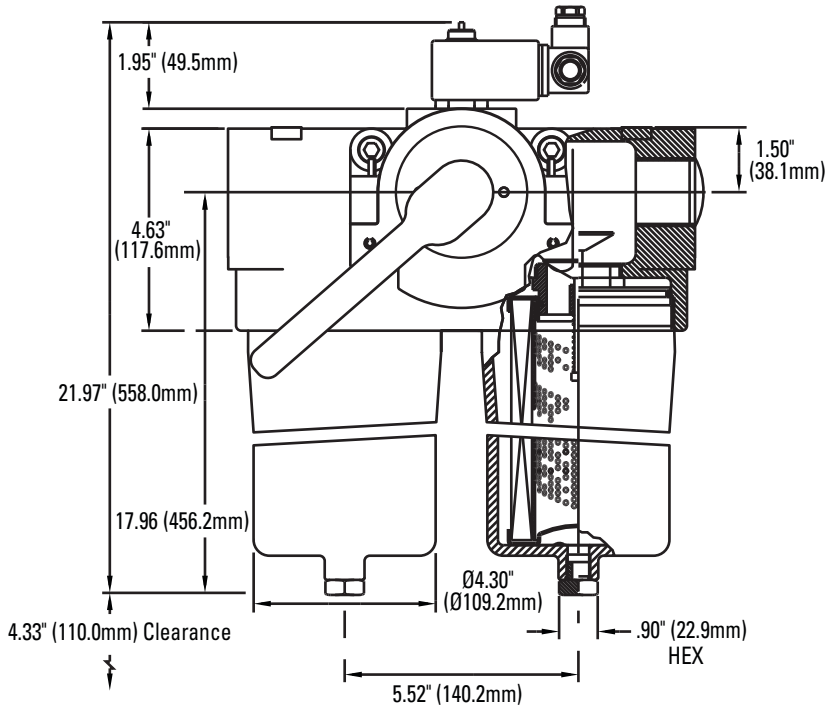
Filter Collapse Ratings

- 300 psid / 207 kPa / 21 bar (standard)
- 3045 psid / 2100 kPa / 210 bar (high collapse)

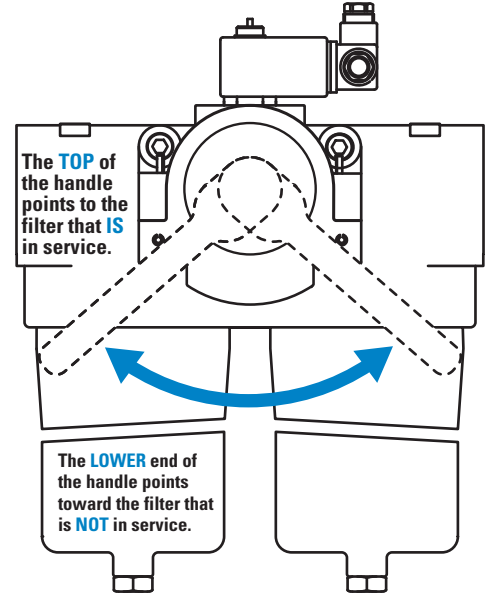
DPK350 Specification Illustrations

ASSEMBLY - SIDE VIEW

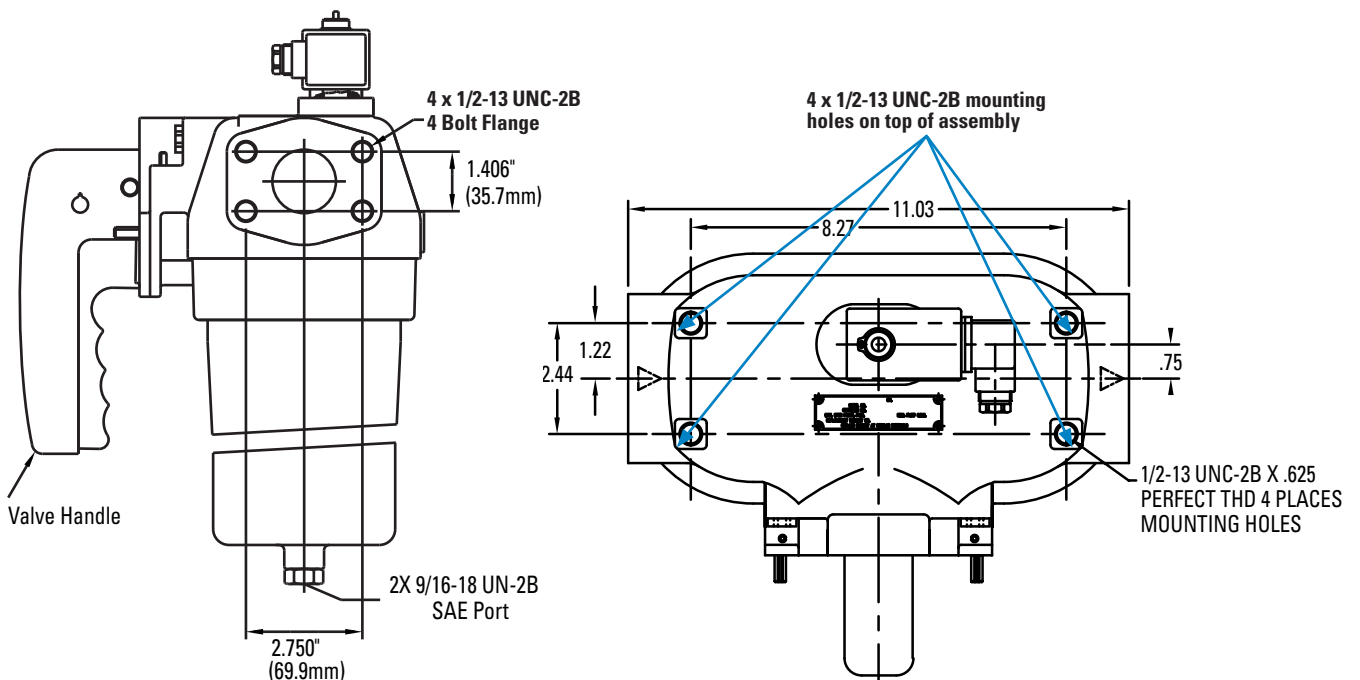
All dimensions are shown in millimeters [inches].



The handle shifts fluid flow from one filter to the other.



HEAD - TOP VIEW





DPK350

Max Flow: 100 gpm (379 lpm)



DPK350 Components

Filter Choices

| Media Type | $\beta_{x(c)} = 1000$ | Length | | Part No. | Comments |
|--------------|---------------------------|--------|-----|----------|---------------|
| | Rating based on ISO 16889 | in | mm | | |
| DT Synthetic | 5 μm | 14.62 | 371 | P567101 | |
| | 5 μm | 14.69 | 373 | P560716 | High collapse |
| | 8 μm | 14.62 | 371 | P567102 | |
| | 12 μm | 14.62 | 371 | P567103 | |
| | 23 μm | 14.62 | 371 | P567104 | |
| | 27 μm | 14.69 | 373 | P560718 | High collapse |

Assembly Choices

| Part No. | Port Connections | Bypass Valve | Comments |
|----------|----------------------------------|-------------------------|---|
| P577024 | 1-1/2" SAE 4-bolt flange code 61 | No bypass | Filter elements not included with assembly. |
| P577025 | 1-1/2" SAE 4-bolt flange code 61 | 50 psi (3.4 bar) bypass | Filter elements not included with assembly. |

Service Indicator Choices

| Use with Bypass Valve Pressure of: | Indicator Part No. | Seal Material | Connector Style |
|------------------------------------|--------------------|-------------------|-----------------|
| Visual / Electric Models | | | |
| 50 psi / 345 kPa | P577029 | Fluorocarbon seal | Hirschman |
| Visual Models | | | |
| 50 psi / 345 kPa | P577028 | Fluorocarbon seal | Manual reset |



Performance Data

