



WL16

Max Flow: 150 gpm (568 lpm)



WL16 In-Tank Filters

Working Pressures to:

200 psi / 1380 kPa / 13.8 bar

Rated Static Burst to:

300 psi / 2070 kPa / 20.7 bar

Flow Range To:

150 gpm / 568 lpm

Applications

- Cooling Circuits
- Fluid Conditioning Systems
- Lube Oil Systems
- Meets HF4 Specification
- Process Systems
- Return Lines
- Side Loop Systems



Features

WL16 in-tank filters meet the HF4 automotive standard. The quick disconnect cover allows for easy and efficient filter change-outs. An optional secondary inlet port offers the use of a second return line. These units can be top or side reservoir mounted. Use the optional anti-backflow valve (X011053) when installing this filter assembly to the side of a reservoir.

- Head Material: aluminum
- Housing Material: Steel

Beta Rating

- Performance to $\beta_{5(c)}=1000$

Porting Size Options

- SAE-24 O-Ring
- 1½" SAE 4-Bolt Flange Code 61

Replacement Filter Lengths

- 9.04" / 230mm
- 18.08" / 459mm
- 27.51" / 699mm

Assembly Weight

- Single Length, 5.25 lbs / 2.3 kg
- Double Length, 16 lbs / 7.3 kg
- Triple Length, 23 lbs / 10 kg

Standard Bypass Ratings

- 50 psi / 345 kPa / 3.5 bar
- 25 psi / 172.5 kPa / 1.72 bar

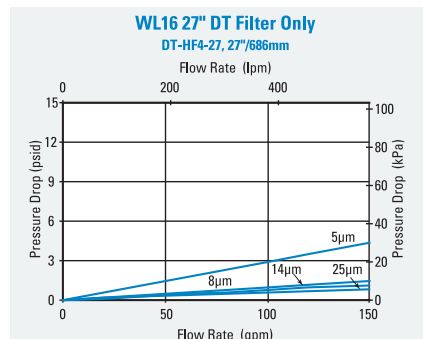
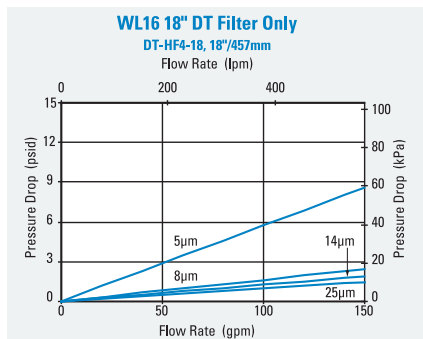
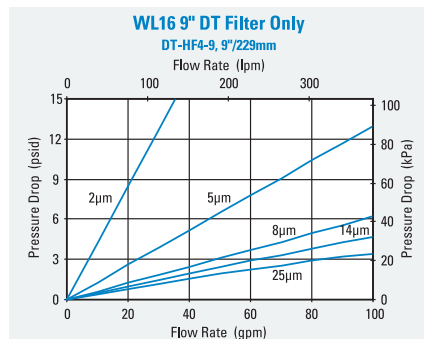
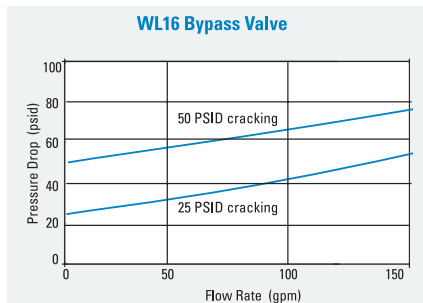
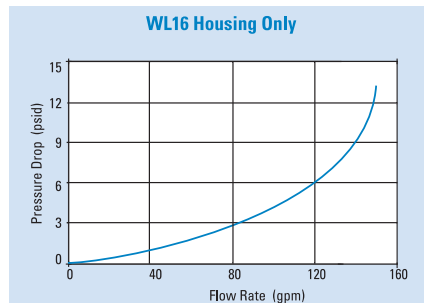
Operating Temperatures

- -45° to 250°F (-43° to 121°C)

Filter Collapse Ratings

- 150 psid / 1035 kPa / 10.3 bar

Performance Data



WL16 Components

Filter Choices

Media Type	$\beta_{x(c)} = 1000$	Length		Part No.	Comments
	Rating based on ISO 16889	in	mm		
DT Synthetic	2 μ m	9.04	230	P568816	DT-HF4-9-2UM
	5 μ m	9.04	230	P566270	DT-HF4-9-5UM
	8 μ m	9.04	230	P566271	DT-HF4-9-8UM
	12 μ m	9.04	230	P566272	DT-HF4-9-14UM
	23 μ m	9.04	230	P566273	DT-HF4-9-25UM
	2 μ m	18.44	468	P568817	DT-HF4-18-2UM
	5 μ m	18.32	465	P566274	DT-HF4-18-5UM
	8 μ m	18.32	465	P566275	DT-HF4-18-8UM
	12 μ m	18.32	465	P566276	DT-HF4-18-14UM
	23 μ m	18.32	465	P566277	DT-HF4-18-25UM
	2 μ m	27.90	709	P568818	DT-HF4-27-2UM
	5 μ m	27.75	705	P566278	DT-HF4-27-5UM
	8 μ m	27.75	705	P566279	DT-HF4-27-8UM
	14 μ m	27.75	705	P566280	DT-HF4-27-14UM
	25 μ m	27.75	705	P566281	DT-HF4-27-25UM

Service Part Choices

Description	Part No.
Head/Bowl/Housing Seal Kit - Nitrile	X011140
Head/Bowl/Housing Seal Kit - fluorocarbon	X011141
Assembly Cover Kit	X011052
Diffuser	X011919
Reservoir Weld Ring/Flange	X011058
Outlet Check Valve	X011053

Note:
Some service parts may not be stocked.
Please contact your Donaldson sales representative for lead time details.

All Donaldson DT filters utilize glass fiber media with an epoxy-based resin system for the ultimate in chemical compatibility and are potted with epoxy-based adhesives. Standard collapse designs are double wire-backed using epoxy-coated steel mesh for maximum pleat support and dirt capacity. Fluorocarbon seals are standard on all Donaldson DT filters.



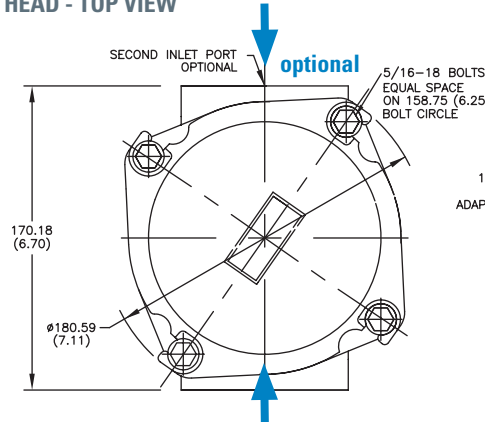
Filter Assembly Choices

Port Size	Bypass Rating	Seal Material	Indicator Style & Location	Housing Length	Assembly Length	Part No.
(2) SAE-24 O-Ring	25 psi / 1.72 bar	Nitrile	Port Machined & Plugged	9" (228.6mm)	12.76" (324.1mm)	P574232
(2) SAE-24 O-Ring	25 psi / 1.72 bar	Nitrile	Port Machined & Plugged	18" (457.2mm)	21.09" (535.6mm)	P574233
(2) SAE-24 O-Ring	25 psi / 1.72 bar	Nitrile	Port Machined & Plugged	27" (685.8mm)	30.46" (773.6mm)	P574234
(2) 1-1/2" SAE 4 Bolt Flange Code 61	25 psi / 1.72 bar	Nitrile	Port Machined & Plugged	18" (457.2mm)	21.09" (535.6mm)	P574235
(1) 1-1/2" SAE 4 Bolt Flange Code 61	50 psi / 3.45 bar	Nitrile	Port Machined & Plugged	18" (457.2mm)	21.09" (535.6mm)	P574236
(1) 1-1/2" SAE 4 Bolt Flange Code 61	50 psi / 3.45 bar	Nitrile	Port Machined & Plugged	27" (685.8mm)	30.46" (773.6mm)	P574237
(2) SAE-24 O-Ring	50 psi / 3.45 bar	Nitrile	Port Machined & Plugged	18" (457.2mm)	21.09" (535.6mm)	P575922
(2) SAE-24 O-Ring	50 psi / 3.45 bar	Nitrile	Port Machined & Plugged	27" (685.8mm)	30.46" (773.6mm)	P581657

Indicator Choices

Indicator Pressure Setting	Connector Style	Part No.
Visual Pressure Gauges, 0-60 psi		
25 psi / 172 kPa	NA	X011059
50 psi / 345 kPa	NA	X011075
Visual Pressure Gauges, 0-200 psi		
50 psi / 345 kPa	NA	X011060
Electrical Service Indicator		
18 psi / 124 kPa	Hirschman	X011061
35 psi / 241 kPa	Hirschman	X011064
18 psi / 124 kPa	Brad Harrison	X011065
35 psi / 241 kPa	Brad Harrison	X011066

HEAD - TOP VIEW



WL16 Specification Illustrations

ASSEMBLY - SIDE VIEW

All dimensions are shown in millimeters [inches].

