



W023

Max Flow: 60 gpm (227 lpm)



W023 Spin-On Filters

Working Pressures to:

150 psi / 1035 kPa / 10.3 bar

Rated Static Burst to:

250 psi / 1725 kPa / 17.2 bar

Flow Range To:

60 gpm / 227 lpm

Applications

- Fluid Conditioning Systems
- In-Plant Systems
- Mobile Equipment
- Power Transmissions
- Process Systems



Features

This versatile spin-on series is an excellent choice for use in high corrosion environments. The gray iron head construction can be ordered with a differential pressure indicator port. Take advantage of our mix and match system of heads and filters, so you get exactly what you need. You can choose the media type and configurations that's best for your application.

Beta Rating

- Performance to $\beta_{<4(c)}=1000$

Porting Size Options

- 1 1/4" NPT
- SAE-20 O-Ring

Performance Data

Replacement Filter Lengths

- 6.7" / 170mm
- 10.7" / 271mm

Standard Bypass Ratings

- 50 psi / 345 kPa / 3.5 bar
- No bypass

Assembly Weight

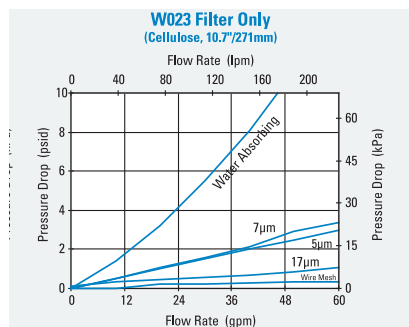
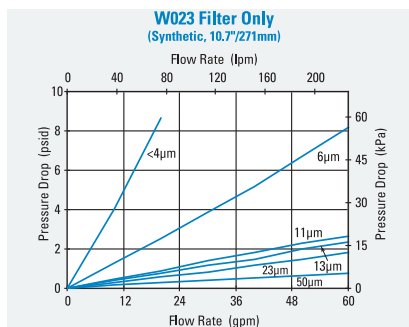
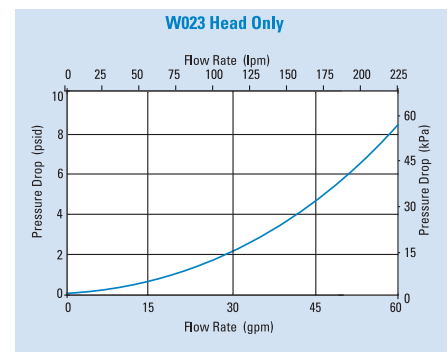
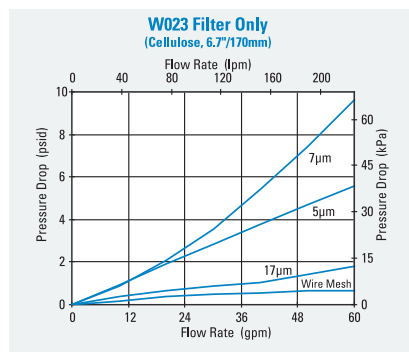
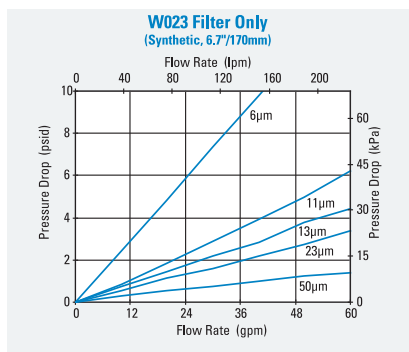
- 7.0 lbs / 3.2 kg (short)
- 8.0 lbs / 3.6 kg (long)

Operating Temperatures

- -22°F to 225°F / -30°C to 107°C

Filter Collapse Ratings

- 100 psid / 690 kPa / 6.9 bar



W023 Components

Filter Choices

Media Type	$\alpha_{x(c)} = 1000$	$\beta_{x(c)} = 2$	$\beta_{x(c)} = 1000$	Length		Part No.	Comments
	Rating based on ISO 23369	Rating based on ISO 16889		in	mm		
Synteq Synthetic			<4 μm	10.7	271	P167796	Fluorocarbon O-Ring & square seal kit. Compatible w/ water glycol.
			6 μm	6.7	170	P167162	3-seal kit
			6 μm	10.7	271	P165762	3-seal kit
Alpha-Web	10 μm			6.7	170	DBH5875	3-seal kit
Synteq Synthetic			11 μm	6.7	170	P165875	3-seal kit
			11 μm	10.7	271	P165876	3-seal kit
			13 μm	6.7	170	P167944	Fluorocarbon O-Ring & square seal kit. Compatible w/ water glycol.
			13 μm	10.7	271	P167945	Fluorocarbon O-Ring & square seal kit. Compatible w/ water glycol.
			23 μm	6.7	170	P165877	3-seal kit
			23 μm	10.7	271	P165878	3-seal kit
			50 μm	6.7	170	P165879	3-seal kit
Cellulose		5 μm		6.7	170	P550386	3-seal kit
		5 μm		10.7	271	P550250	3-seal kit
		7 μm		7.2	183	P550388	3-seal kit
		7 μm		10.7	271	P550251	3-seal kit
		17 μm		6.7	170	P550387	3-seal kit
Water Absorbing		10 μm		10.7	271	P561183	Cellulose media, 3-seal kit. Absorbs 350 ml water.
			150 μm	6.7	170	P550275	Stainless steel wire mesh, 3-seal kit
Wire Mesh			150 μm	10.7	271	P550276	Stainless steel wire mesh, 3-seal kit

Filter Notes: * All models have 1 1/2-16 UNF threads except where otherwise noted. All models measure 5.0"/127mm outer diameter.

Head Assembly Choices

Port Size	Bypass Rating	Seal Material	Indicator Style & Location	Part No.
SAE-20 O-Ring	50 psi / 3.45 bar	Nitrile	Port Machined & Plugged	P574241
1-1/4" NPT	None	Nitrile	Port Machined & Plugged	P575930

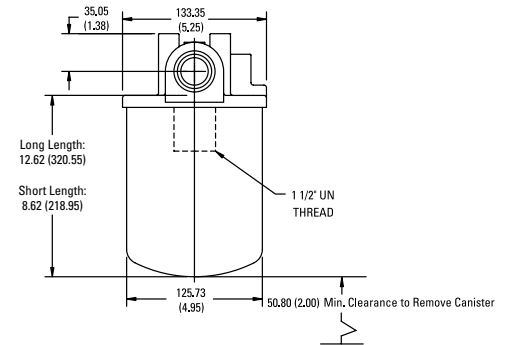
Indicator Choices

Indicator Pressure Setting	Connector Style	Seal Material	Part No.	Thermal Lockout	Surge Control	Reset
Visual Pop-up Models						
15 psi / 103 kPa	N/A	Nitrile	P572345	No	No	Auto
35 psi / 241 kPa	N/A	Nitrile	P572347	No	No	Auto
35 psi / 241 kPa	N/A	Nitrile	P572348	Yes	Yes	Manual
35 psi / 241 kPa	N/A	Fluorocarbon	P567456	Yes	Yes	Manual
Electrical / Visual Models						
15 psi / 103 kPa	Hirschmann	Nitrile	P572323	No	No	Auto
15 psi / 103 kPa	3-wire flying leads	Nitrile	P572342	No	No	Auto
35 psi / 241 kPa	Hirschmann	Nitrile	P572327	No	No	Auto
35 psi / 241 kPa	Brad Harrison	Nitrile	P572329	No	No	Auto
35 psi / 241 kPa	Hirschmann	Nitrile	P572384	Yes	Yes	Manual
35 psi / 241 kPa	Hirschmann	Fluorocarbon	P567458	Yes	Yes	Manual
35 psi / 241 kPa	3-wire flying leads	Nitrile	P572349	No	No	Auto
Electrical Models						
15 psi / 103 kPa	Hirschmann	Nitrile	P572355	No	No	Auto
35 psi / 241 kPa	Hirschmann	Nitrile	P572359	No	No	Auto
35 psi / 241 kPa	Brad Harrison	Nitrile	P572361	No	No	Auto

W023 Specification Illustrations

ASSEMBLY - SIDE VIEW

All dimensions are shown in millimeters [inches].



HEAD - TOP VIEW

