



SP15/25

Max Flow: 30 gpm (114 lpm)



SP15/25 Spin-On Filters

Maximum Working Pressures to:

150 psi / 1035 kPa / 10.3 bar

Rated Static Burst to:

375 psi / 2590 kPa / 25.9 bar

Flow Range To:

30 gpm / 114 lpm

Features

The SP15/25 series are economical, low pressure filters with spin-on convenience and a wide range of cleanliness ratings. Filters are available with the bypass ratings of your choice – 25 psi, 15 psi, 5 psi or no bypass. Take advantage of our mix and match system of in-stock heads and filters, so you can get exactly what you need. Choose the media type and configuration that's best for your application. Options include Donaldson's exclusive Synteq™, natural fiber cellulose, stainless steel wire-mesh or water absorbing media.

Beta Rating

- Performance to $\beta_{0.1} = 1000$

Porting Size Options

- 1/2", 3/4" NPT
- SAE-8, SAE-12 O-Ring

Replacement Filter Lengths

- 5.35" / 136mm
- 7.87" / 200mm

Standard Bypass Ratings

- 25 psi / 172.5 kPa / 1.7 bar
- 15 psi / 97 kPa / .97 bar
- 5 psi / 34.5 kPa / .34 bar
- No Bypass

Applications

- Fluid Conditioning Systems
- In-Plant Systems
- Mobile Equipment
- Power Transmissions
- Process Systems



Assembly Weight

- 5.35": 1.6 lbs / .7 kg (approximately)
- 7.87": 2.2 lbs / 1 kg (approximately)

Operating Temperatures

- -22°F to 225°F / -30°C to 107°C

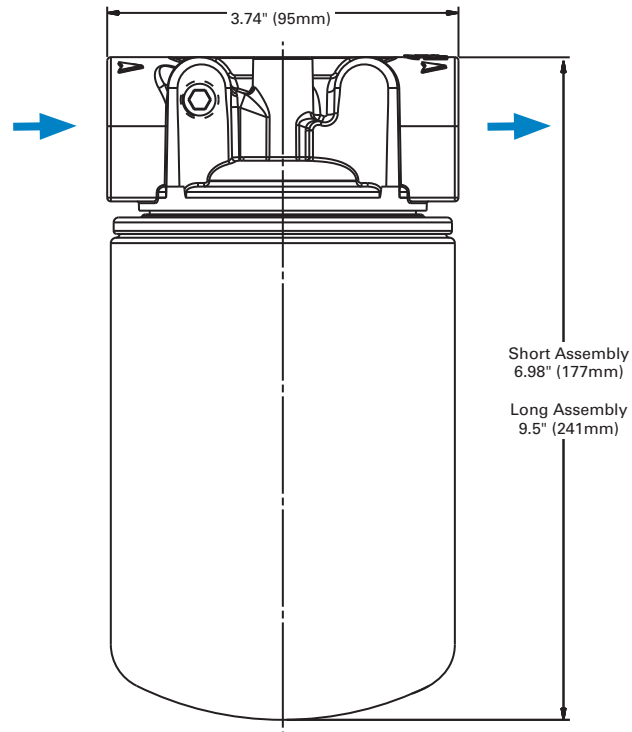
Filter Collapse Ratings

- 100 psid / 690 kPa / 6.9 bar (standard)

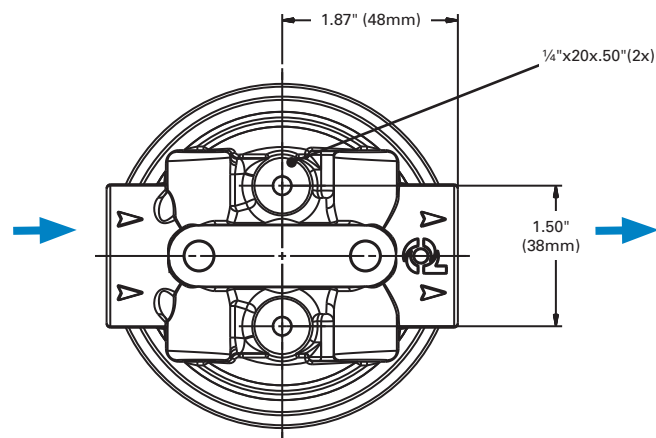
SP15/25 Specification Illustrations

ASSEMBLY - SIDE VIEW

All dimensions are shown in inches [millimeters].



HEAD - TOP VIEW





SP15/25

Max Flow: 30 gpm (114 lpm)



SP15/25 Components

Filter Choices

Media Type	$\beta_{x(c)} = 2$	$\beta_{x(c)} = 1000$	Length		Part No.	Comments
	Rating based on ISO 16889		in	mm		
Synteq Synthetic		6 μm	5.35	136	P564967	
		6 μm	7.87	200	P564357	
		11 μm	7.87	200	P179089	
		11 μm	5.35	136	P560693	
		23 μm	5.35	136	P560694	
Cellulose	5 μm		5.35	136	P565061	
	7 μm		5.35	136	P551551	
	7 μm		7.87	200	P565059	
	17 μm		5.35	136	P551553	
	17 μm		7.87	200	P565060	
Water Absorbing	10 μm		5.35	136	P565062	Absorbs approximately 6 oz/170 ml of water @ 20 psid/1.4 bar
Wire Mesh	150 μm		5.35	136	P550274	100 mesh

Filter Notes: * Thread size 1"-12 UNF

Head Choices

Port Size	Bypass Range	Gauge ports (drill, tap, plug)	Gauge Port Location	Part No.
1/2" NPT	15 psi / 103.4 kPa / 1.34 bar	(2) 1/8" NPT	upstream side	P563288
3/4" NPT	25 psi / 172.5 kPa / 1.72 bar	(2) 1/8" NPT	upstream side	P561131
3/4" NPT	5 psi / 34.5 kPa / .34 bar	(2) 1/8" NPT	downstream side	P561132
3/4" NPT	25 psi / 172.5 kPa / 1.72 bar	none	na	P561134
3/4" NPT	5 psi / 34.5 kPa / .34 bar	none	na	P561135
3/4" NPT	none	none	na	P561136
3/4" NPT	15 psi / 103.4 kPa / 1.34 bar	none	na	P563278
SAE-12	none	none	na	P561133
SAE-12	none	(1) SAE-4	upstream side, LH	P561137
SAE-12	5 psi / 34.5 kPa / .34 bar	none	na	P561140
SAE-12	25 psi / 172.5 kPa / 1.72 bar	none	na	P561141
SAE-12	15 psi / 103.4 kPa / 1.34 bar	none	na	P563279
SAE-12	25 psi / 172.5 kPa / 1.72 bar	(2) 1/8" NPT	upstream side	P563280
SAE-8	25 psi / 172.5 kPa / 1.72 bar	none	na	P561138

Note: On a return line system the gauge port should be on the upstream side. We suggest a 25 psi bypass. If head is used on a suction line, the gauge port should be on the downstream side very low bypass.



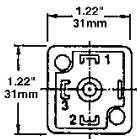
Mix and Match

Donaldson's mix and match system provides the great performance and functional advantages of custom engineered filters with the convenience and speedy delivery of in-stock parts. Choose your options and build a filter model to suit your specifications.

Filter Service Gauges - Visual Indicators

Part No.	Pressure Range	Use With Bypass Valve Rating	Type
P563978	5 to 30 psi field adj.*	15 psi / 103.4 kPa / 1.34 bar or 25 psi / 172.5 kPa / 1.72 bar or No Bypass	Return indicator, electrical
P579714	0 to 100 psi	15 psi / 103.4 kPa / 1.34 bar or 25 psi / 172.5 kPa / 1.72 bar or No Bypass	Return indicator, numeric scale
P579715	0 to 100 psi	15 psi / 103.4 kPa / 1.34 bar Bypass	Return indicator, color coded
P579716	0 to 100 psi	25 psi / 172.5 kPa / 1.72 bar or No Bypass	Return indicator, color-coded
P579717	0 to -30 Hg	5 psi / 34.5 kPa / .34 bar or No Bypass	Suction indicator, numeric scale

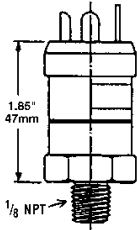
P563978



#1 Common; #2 Normally Closed; #3 Normally Open

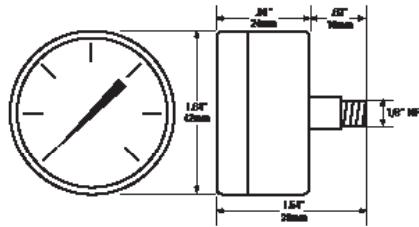
Instructions

1. Remove DIN adaptor
2. Remove small brass screw
3. Using 1/8" allen wrench adjust clockwise to increase set point/counter-clockwise to decrease set point
4. NO / NC



Adjustment screw located in center of electric prongs

P579714 - P579717



Notes

* NOT PRESET: Setting adjustable for desired application

Performance Data

