

Donaldson.  
Torit®

## REMOTE DOWNDRAFT BENCH

MODELS RDB-2000 AND RDB-3000

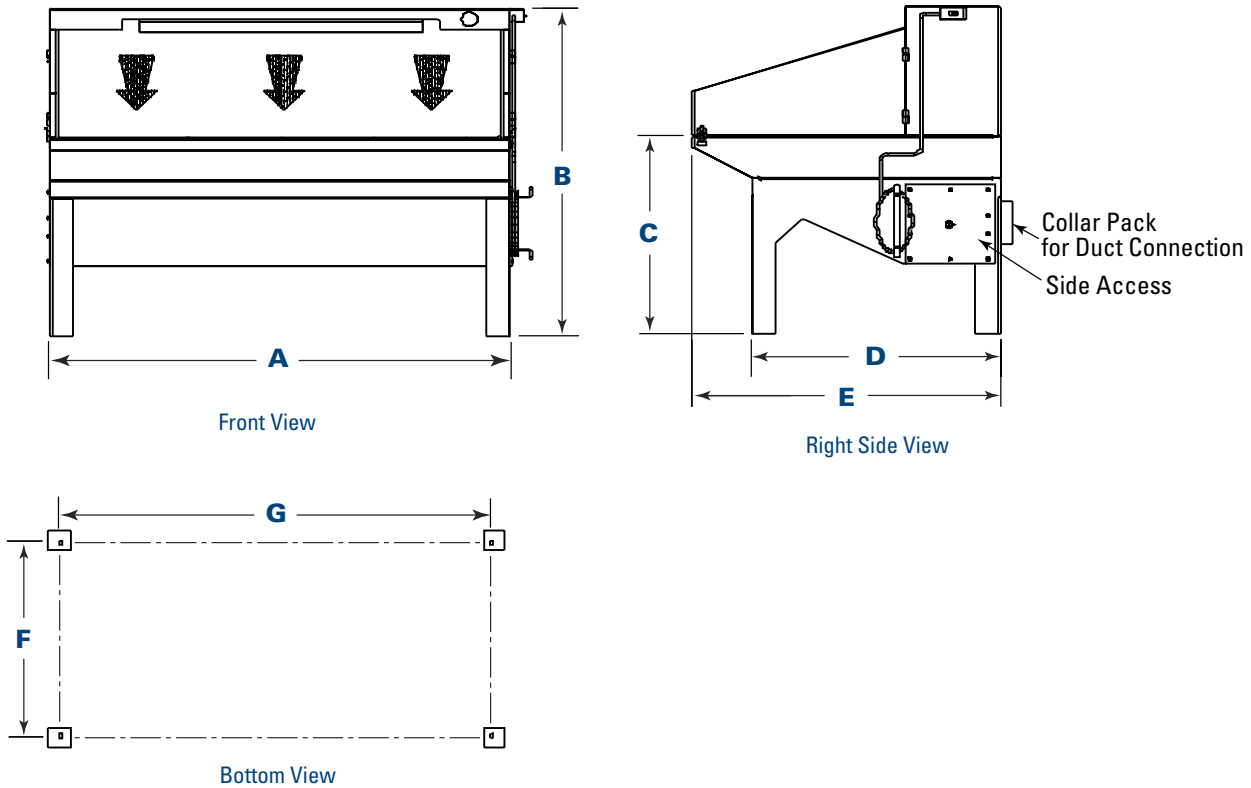


**RDB-3000**

Designed for buffing, polishing, and grinding operations, the remote workstation integrates easily with other Donaldson® Torit® air filtration products.

- Rugged construction
- Heavy-duty work surface, 12-gauge galvanized channels with .875 inch (22 mm) holes
- Hinged side-wing panels open to accommodate longer workpieces
- Built-in fluorescent light illuminates work area
- Larger model and longer worktable suits two workers
- Ergonomically designed for operator comfort
- Helps support OSHA Clean Air Standards
- Productivity increases and morale improves by providing a cleaner working environment
- 10-year warranty

## DIMENSIONS & SPECIFICATIONS



Model	Outlet Diameter		Dimensions													Max Load per Sq. Ft.		Shipping Weight		
			A		B		C		D		E		F		G		lb	kg	lb	kg
	in	mm	in	mm	in	mm	in	mm	in	mm	in	mm	in	mm	in	mm				
RDB-2000	8	203.2																		
	10	253.0	52.0	1320.8	63.0	1600.2	38.0	965.2	42.1	1069.3	52.0	1320.8	37.1	942.3	47.0	1193.8	75	34.0	411	186.4
	12	304.8																		
RDB-3000	10	253.0																		
	12	304.8	78.0	1981.2	63.0	1600.2	38.0	965.2	42.1	1069.3	52.0	1320.8	37.1	942.3	73.0	1854.2	75	34.0	550	249.5

## EQUIPMENT OPTIONS

Scratch-resistant work surfaces

Easy Duct™ quick clamp ductwork for easy do-it-yourself installations

Significantly improve the performance of your collector with genuine Donaldson Torit replacement filters and parts. **Call Donaldson Torit at 800-365-1331.**

### Important Notice

Many factors beyond the control of Donaldson can affect the use and performance of Donaldson products in a particular application, including the conditions under which the product is used. Since these factors are uniquely within the user's knowledge and control, it is essential the user evaluate the products to determine whether the product is fit for the particular purpose and suitable for the user's application. All products, product specifications, availability and data are subject to change without notice, and may vary by region or country.



Donaldson Company, Inc.  
Minneapolis, MN  
[donaldson.com](http://donaldson.com) • [shop.donaldson.com](http://shop.donaldson.com)

**North America**  
Email: [donaldson@donaldson.com](mailto:donaldson@donaldson.com)  
Phone: (USA): +1-800-365-1331 • (MX): +1-800-343-36-39

**Australasia**  
Email: [marketing.australia@donaldson.com](mailto:marketing.australia@donaldson.com)  
Phone: +61-2-4350-2000  
Toll Free: (AU) +1800-345-837 • (NZ) +0800-743-387

F118163 ENG (02/20) Remote Downdraft Benches ©2011-2020 Donaldson Company, Inc.  
Donaldson, Torit and the color blue are marks of Donaldson Company, Inc. All other marks belong to their respective owners.

**China**  
Email: [info.cn@donaldson.com](mailto:info.cn@donaldson.com)  
Phone: +86-400-820-1038

**Donaldson Europe B.V.B.A.**  
Email: [IAF-europe@donaldson.com](mailto:IAF-europe@donaldson.com)  
Phone: +32-16-38-3811

**India**  
Email: [info.difs@donaldson.com](mailto:info.difs@donaldson.com)  
Phone: +91-124-4807-400 • +18001035018

**Japan**  
Email: [jp-ndi.ifsweb@donaldson.com](mailto:jp-ndi.ifsweb@donaldson.com)  
Phone: +81-42-540-4112

**Korea**  
Email: [iaf-kr@donaldson.com](mailto:iaf-kr@donaldson.com)  
Phone: +82-2-517-3333

**Latinoamerica**  
Email: [IndustrialAir@donaldson.com](mailto:IndustrialAir@donaldson.com)  
Phone: +52-449-300-2442

**South Africa**  
Email: [SAMarketing@donaldson.com](mailto:SAMarketing@donaldson.com)  
Phone: +27-11-997-6000

**Southeast Asia**  
Email: [IAFSEA@donaldson.com](mailto:IAFSEA@donaldson.com)  
Phone: +65-6311-7373