



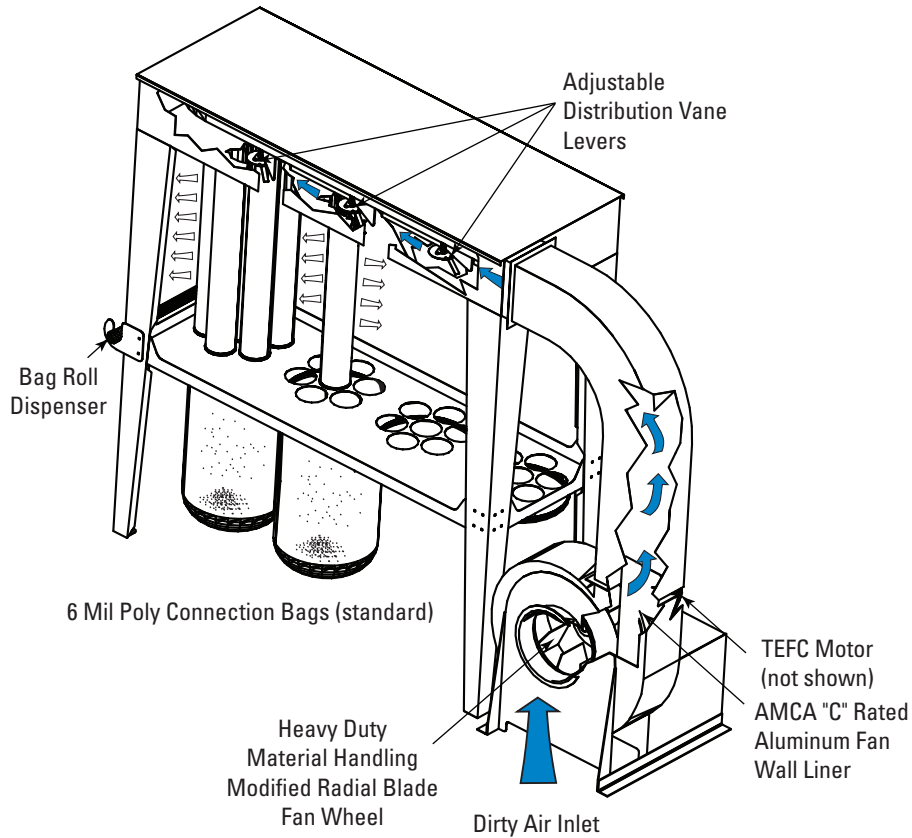
460-IRD

(shown with optional shaker)

An easy and economical solution for a wide range of wood dust collection applications.

- Complete dust collection package includes fan, fan motor, push-button fan starter, bag filters and clear plastic dust disposal bags
- Fan provides high vacuum pressure with low operating sound levels for cleaner workplaces and lower sound levels
- Down flow air pattern allows airflow and gravity to move filtered dust to collection receptacles for longer bag filter life and reduced pressure drop
- Adjustable airflow baffles equalize dust dispersion to all collection receptacles, which minimizes emptying cycles
- Cageless filters and tool-free filter replacement reduce maintenance time
- Filtered air returning to interior workspace reduces HVAC costs
- Dura-Life™ "Twice the Life" bag filters provide longer bag life, which reduces maintenance costs and lowers pressure drop
- Optional automatic shaker is available for better collector performance
- Fans with higher static pressure are available for more demanding applications

OPERATIONAL EXPLANATION



Dust laden air is pushed into the dirty air plenum by a high volume, high pressure heavy duty material handling fan. The dusty air is evenly distributed down inside of the high flow polyester bags which capture the dust and allow clean air to pass back into the work environment. Dust captured inside the bag is carried down into the dust receptacles at the bottom of the collector via gravity and airflow. An optional automatic shaker is available for even better collector performance.

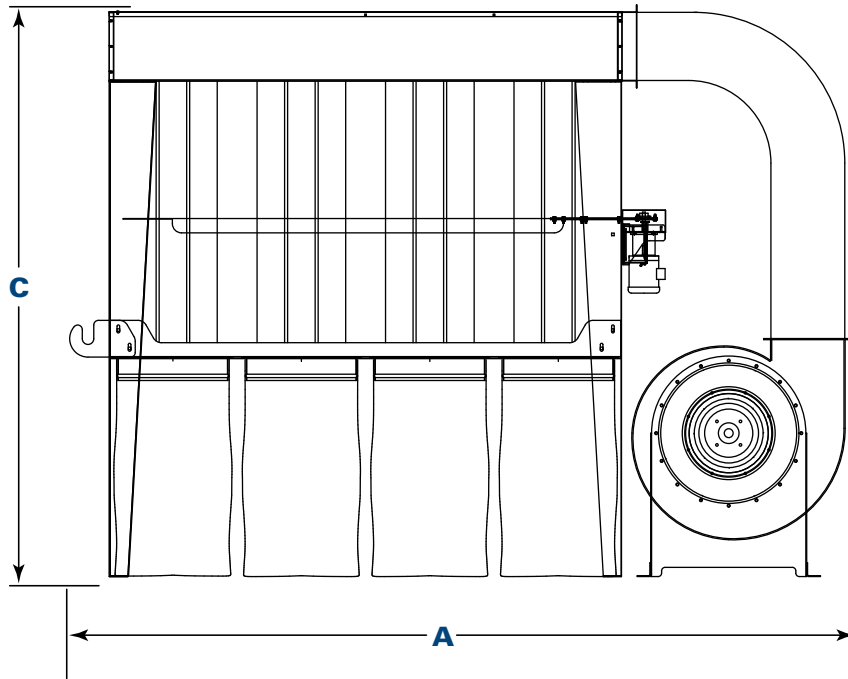
| Model | Fan (hp) | Air Volume / Static Pressure at Fan Inlet ("wg)* | | | | | | | | | | | | | | | |
|--------------|----------|--|-------------------|------|-------------------|------|-------------------|------|-------------------|------|-------------------|-------|-------------------|------|-------------------|------|-------------------|
| | | 6 | | 7 | | 8 | | 9 | | 10 | | 11 | | 12 | | 13 | |
| | | cfm | m ³ /h | cfm | m ³ /h | cfm | m ³ /h | cfm | m ³ /h | cfm | m ³ /h | cfm | m ³ /h | cfm | m ³ /h | cfm | m ³ /h |
| 260-IRD-5R† | 5 | — | — | — | — | — | — | — | — | 1550 | 2633 | 1450† | 2463† | 1350 | 2293 | 1225 | 2081 |
| 260-IRD-7.5 | 7.5 | 3600 | 6115 | 2350 | 3992 | — | — | — | — | — | — | — | — | — | — | — | — |
| 360-IRD-7.5R | 7.5 | — | — | — | — | — | — | — | — | 2175 | 3695 | 2025 | 3400 | 1850 | 3143 | 1650 | 2803 |
| 360-IRD-10 | 10 | — | — | — | — | 3700 | 6285 | 2850 | 4841 | 2125 | 3610 | — | — | — | — | — | — |
| 360-IRD-10R | 10 | — | — | — | — | — | — | — | — | 2900 | 4926 | 2675 | 4544 | 2450 | 4162 | 2250 | 3822 |
| 360-IRD-15 | 15 | — | — | — | — | 4800 | 8154 | 4050 | 6880 | 2400 | 4077 | — | — | — | — | — | — |
| 460-IRD-15 | 15 | — | — | — | — | 4800 | 8154 | 4050 | 6880 | 2400 | 4077 | — | — | — | — | — | — |
| 460-IRD-15R | 15 | — | — | — | — | — | — | — | — | 5050 | 8578 | 4350 | 7389 | 3900 | 6625 | — | — |
| 460-IRD-20 | 20 | — | — | — | — | 6875 | 11678 | 6375 | 10829 | 5875 | 9980 | 5325 | 9045 | — | — | — | — |

* Table data allows for 2 "wg collector loss with clean bag filters.

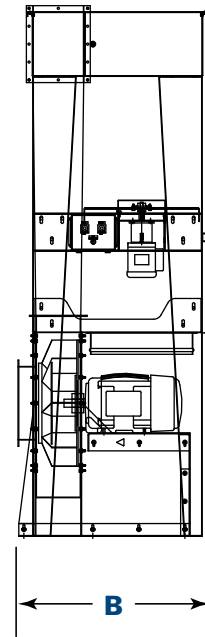
** Models with "R" at the end have higher static fans.

† Italic type is typical airflow applications.

DIMENSIONS & SPECIFICATIONS



Model 460-IRD-20
(shown w/optional shaker motor)
Front View



Model 460-IRD-20
Side View

| Model | Nominal Airflow Range* | | Cloth Area | | No. of Bag Filters | No. of Dust Collection Receptacles | Dust Capacity w/ plastic bags | | Motor (hp) |
|--------------|------------------------|-------------------|-----------------|----------------|--------------------|------------------------------------|-------------------------------|----------------|------------|
| | cfm | m ³ /h | ft ² | m ² | | | ft ³ | m ³ | |
| 260-IRD-5R** | 1350 - 1450 | 2,293 - 2,463 | 128 | 11.9 | 14 | 2 | 20 | 0.6 | 5 |
| 260-IRD-7.5 | 2350 - 3600 | 3,992 - 6,115 | 128 | 11.9 | 14 | 2 | 20 | 0.6 | 7.5 |
| 360-IRD-7.5R | 1850 - 2025 | 3,143 - 3,440 | 192 | 17.8 | 21 | 3 | 30 | 0.8 | 7.5 |
| 360-IRD-10 | 2850 - 3700 | 4,841 - 6,285 | 192 | 17.8 | 21 | 3 | 30 | 0.8 | 10 |
| 360-IRD-10R | 2450 - 2675 | 4,162 - 4,544 | 192 | 17.8 | 21 | 3 | 30 | 0.8 | 10 |
| 360-IRD-15 | 4050 - 4800 | 6,880 - 8,154 | 192 | 17.8 | 21 | 3 | 30 | 0.8 | 15 |
| 460-IRD-15 | 4050 - 4800 | 6,880 - 8,154 | 257 | 23.9 | 28 | 4 | 40 | 1.1 | 15 |
| 460-IRD-15R | 3900 - 4350 | 6,625 - 7,389 | 257 | 23.9 | 28 | 4 | 40 | 1.1 | 15 |
| 460-IRD-20 | 5875 - 6375 | 9,980 - 10,829 | 257 | 23.9 | 28 | 4 | 40 | 1.1 | 20 |

| Model | Shipping Weight | | Dimensions | | | | | |
|--------------|-----------------|-------|------------|--------|------|--------|-------|--------|
| | lb | kg | A | | B | | C | |
| | | | in | mm | in | mm | in | mm |
| 260-IRD-5R** | 1100 | 499.0 | 96.4 | 2448.6 | 43.9 | 1115.1 | 124.6 | 3164.8 |
| 260-IRD-7.5 | 1360 | 616.9 | 104.1 | 2644.1 | 45.3 | 1150.6 | 124.6 | 3164.8 |
| 360-IRD-7.5R | 1300 | 589.7 | 124.7 | 3167.4 | 43.9 | 1115.1 | 124.6 | 3164.8 |
| 360-IRD-10 | 1710 | 775.6 | 132.7 | 3370.6 | 44.4 | 1127.8 | 124.6 | 3164.8 |
| 360-IRD-10R | 1350 | 612.3 | 124.1 | 3152.1 | 43.9 | 1115.1 | 124.6 | 3164.8 |
| 360-IRD-15 | 1890 | 857.3 | 137.1 | 3482.3 | 45.5 | 1155.7 | 124.6 | 3164.8 |
| 460-IRD-15 | 2070 | 938.9 | 165.1 | 4193.5 | 45.5 | 1155.7 | 124.6 | 3164.8 |
| 460-IRD-15R | 2140 | 970.7 | 170.5 | 4330.7 | 45.1 | 1145.5 | 124.6 | 3164.8 |
| 460-IRD-20 | 2200 | 997.9 | 170.5 | 4330.7 | 45.3 | 1150.6 | 124.6 | 3164.8 |

* Table data allows for 2 "wg collector loss with clean bag filters.

** Models with "R" at the end have higher static fans.

STANDARD FEATURES & AVAILABLE OPTIONS

| Collector Design | Std | Opt | Paint System | Std | Opt |
|--|-----|-----|--|-----|-----|
| Down Flow Design | X | | Durable Industrial Finish | X | |
| Airflow Balancing Baffles and Levers | X | | Standard Colors: Torit Blue or Storm White | X | |
| Cageless Filter Design | X | | Dust Collection Receptacles | | |
| Tool-Free Filter Removal | X | | 50 - 6 Mil Clear Plastic Disposal Bags with 10 Cubic Foot (0.3 m ³) Capacity | X | |
| Minimum 14-Gauge Carbon Steel Construction | X | | Quick Opening Cam Clamps for Disposal Bag Change | X | |
| 12 Gauge Carbon Steel Tubesheet | X | | Support Structure[†] | | |
| Integral Dust Disposal Bag Storage Rack | X | | 10 Gauge Carbon Steel Construction | X | |
| Direct Drive High Output Material Handling Fan | X | | Electrical Controls, Gauges & Enclosures | | |
| AMCA "C" Rated Aluminum Fan Wall Liner | X | | Push Button Magnetic Fan Starter in NEMA 1 Enclosure | X | |
| 230/460, 3 Phase TEFC NEMA Premium** Efficient Motor | X | | Shaker Controls in NEMA 4 Enclosure (comes with the following features) | | |
| Filter-to-Fan Transition | X | | • Manual and Automatic Shake Switch | | X |
| 1/3 HP Auto Shaker | | X | • On-Time Automatic Shake Adjustment Dial | | |
| Exterior Weather Kit | | X | • Off-Time Automatic Shake Adjustment Dial | | |
| | | | • 120 Volt Cord | | |
| Bag Filters | | | Warranty | | |
| 7 in (177.8 mm) Diameter x 60 in (1524 mm) Long Dura-Life™ Polyester Bag Filters | X | | 10-Year Warranty | X | |

* All 60 Hz motors 1 HP and above are EISA compliant. NEMA Premium is a registered trademark of National Electrical Manufacturers Association.

† Donaldson Torit equipment is designed to IBC guidelines for specific wind speed exposure and seismic spectral acceleration at grade level. Contact your Donaldson Torit representative for detailed information available on the equipment's Spec Control drawings. Equipment may be customized to meet unique, customer-specified site requirements.

NFPA

The IRD meets definitions of an enclosureless collector as defined in:

- NFPA 654 2020 7.13.1.1.2 (4) a, d, e, j
- NFPA 664 2020 8.2.2.6.1.4 (1)-(4) and 8.2.2.6.1.6 (7) c, d.

Please note that there are application parameters that the end user must meet.

Significantly improve the performance of your collector with genuine Donaldson Torit replacement filters and parts. **Call Donaldson Torit at 800-365-1331.**

Important Notice

Many factors beyond the control of Donaldson can affect the use and performance of Donaldson products in a particular application, including the conditions under which the product is used. Since these factors are uniquely within the user's knowledge and control, it is essential the user evaluate the products to determine whether the product is fit for the particular purpose and suitable for the user's application. All products, product specifications, availability and data are subject to change without notice, and may vary by region or country.



Donaldson Company, Inc.
Minneapolis, MN
donaldson.com • shop.donaldson.com

North America
Email: donaldson@donaldson.com
Phone: (USA): +1-800-365-1331 • (MX): +1-800-343-36-39

Australasia
Email: marketing.australia@donaldson.com
Phone: +61-2-4350-2000
Toll Free: (AU) +1800-345-837 • (NZ) +0800-743-387

F118150 ENG (04/23) IRD Dust Collector ©2011-2020 Donaldson Company, Inc.

Donaldson, Torit, Dura-Life and the color blue are marks of Donaldson Company, Inc. All other marks belong to their respective owners.

China
Email: info.cn@donaldson.com
Phone: +86-400-820-1038

Donaldson Europe B.V.B.A.
Email: IAF-europe@donaldson.com
Phone: +32-16-38-3811

India
Email: info.difs@donaldson.com
Phone: +91-124-4807-400 • +18001035018

Japan
Email: jp-ndli.ifsw@donaldson.com
Phone: +81-42-540-4112

Korea
Email: iaf-kr@donaldson.com
Phone: +82-2-517-3333

Latinoamerica
Email: IndustrialAir@donaldson.com
Phone: +52-449-300-2442

South Africa
Email: SAMarketing@donaldson.com
Phone: +27-11-997-6000

Southeast Asia
Email: IAFSEA@donaldson.com
Phone: +65-6311-7373