

## Delta P Control

### Installation and Operation Manual

Installation, Operation and Service Manual



This manual contains specific precautions related to worker safety. The hazard alert image denotes safety related instructions and warnings in this manual. DO NOT install, operate, or perform maintenance on this collector until you have read and understood the instructions, precautions and warnings contained within this manual.

## IMPORTANT NOTES

This manual has been supplied to assist with the installation, operation and maintenance for the collector purchased. Please read the manual before installing, operating, or performing maintenance on the collector as it contains specific precautions for worker safety. It is the owner's responsibility to ensure that this manual is available for use by installers, operators and maintenance personnel that will be working with this collector. This manual is the property of the owner and should be left with the collector when installation has been completed. **DO NOT** operate this collector until you have read and understood the instructions and warnings located in the installation and operation manual.

For additional copies of this manual, contact Donaldson Torit.



The Safety Alert Symbol indicates a hazardous situation which, if not avoided could result in death or serious injury. Obey all safety messages following this symbol to avoid possible injury or death. The possible hazards are explained in the associated text messages.

### **NOTICE**

NOTICE indicates a potential situation or practice which is not expected to result in personal injury, but which if not avoided, may result in damage to equipment.

**Contents**

IMPORTANT NOTES ..... i

1 Safety Communication ..... 1

2 Product Description ..... 3

3 Operation..... 3

4 Product Service ..... 4

    Operational Checklist ..... 4

    Troubleshooting ..... 5

    Replacement Parts ..... 7

Appendix A - Installation ..... 8

    Installation ..... 9

    Location and Site Selection ..... 9

    Delivery and Inspection ..... 9

    Unloading and Positioning ..... 9

    Electrical Wiring ..... 10

    Setpoint Adjustments ..... 11

    Delta P Control Calibration ..... 12

    Optional Settings ..... 13

    Analog Output (TB4, Terminals 13 & 14) ..... 13

    Product Information ..... 15

    Service Notes ..... 15

Donaldson Industrial Air Filtration Warranty..... 16

## 1 Safety Communication



Improper operation of dust collectors and/or dust control systems may contribute to conditions in a work area or facility which could result in severe personal injury, and product or property damage. All dust collection equipment should be used only for its intended purpose and should be properly selected and sized for its intended use.

Process owners have important responsibilities relating to identifying and addressing potential hazards in their processes. When the potential for handling combustible dust exists within a process the process owner should include combustion hazards in their risk management activities and should comply with applicable codes and standards related to combustible dust.

Electrical installation must be performed by a qualified electrician.

This equipment is not designed to support site ducts, piping, or electrical services. All ducts, piping, or electrical services must be adequately supported to prevent injury and/or property damage.

Site selection must account for wind, seismic zone, and other load conditions.

Equipment may reach peak sound pressure levels above 80 dB (A). Noise levels should be considered when selecting collector location.

Most dusts present safety and health hazards that require precautions. Wear eye, respiratory, head and other protection equipment suitable for the type of dust.

Some components may be heavier than they appear. Use appropriate lifting methods to avoid personal injury and/or property damage.

## Combustible Dust Hazards

Among other considerations, the current NFPA standards require owners whose processes involve potentially combustible materials to have a current Dust Hazard Analysis, which can serve as the foundation for their process hazard mitigation strategy. Mitigation may include but is not limited to:

- Prevention of all ignition sources from entering any dust collection equipment.
- Selection and implementation of fire and explosion mitigation, suppression, and isolation strategies appropriate for the risks in their process.
- Development and use of work practices to maintain safe operating conditions, and to ensure combustible dust does not accumulate within their plant or process equipment.

Donaldson designs, manufactures, and sells industrial air filtration products for a wide variety of applications. Some applications may include processes or materials with inherent fire and explosion hazards. Donaldson is neither an expert nor a certified consultant in fire, spark, or explosion detection, suppression, or control. Donaldson does not provide engineering consulting services related to process or dust hazard analyses, or code and standard compliance. Complying with applicable codes and standards and managing the risks associated with the process or materials remains the responsibility of the process owner/operator. Donaldson may provide referrals to consultants, suppliers of equipment or services related to the detection and/or mitigation of sparks, fires and/or explosions, but Donaldson does not assume responsibility for any such referrals, nor does Donaldson assume any liability for the fitness of a mitigation strategy or product for a particular installation or application. The process owner's final selection of dust collectors and risk mitigation strategies should be based on the outcome of a Dust Hazard / Process Hazard Analysis performed by the process owner. Although early engagement of a dust collector supplier provides helpful insights on the availability and features of various products, process owners should consult with a combustible dust expert and/or a process safety expert before making actual product and mitigation strategy selections.

Donaldson recommends that all industrial air filtration system designs be reviewed and approved by an expert consultant who is responsible for the integrity of the system design and compliance with applicable codes and standards. It is the process owner's responsibility to understand the risks in their process and mitigate those risks in accordance with all applicable laws, regulations and standards, including those published by the NFPA. Donaldson also recommends that proper maintenance and housekeeping procedures and work practices be evaluated, developed, and followed to maintain any industrial air filtration products in safe operating condition.

Many factors beyond the control of Donaldson can affect the use and performance of Donaldson products in a particular application, including the conditions under which the product is used. Since these factors are uniquely within the user's knowledge and control, it is essential the user evaluate the Donaldson products to determine whether the product is fit for the particular purpose and suitable for the user's application. All products, product specifications, and data (airflow, capacity, dimensions, or availability) are subject to change without notice, and may vary by region or country.

## 2 Product Description

The Delta P Controller monitors the differential pressure between the clean-air and dirty-air plenums, providing a visual display of the filter condition. When combined with a pulse timer, it manages the pressure drop by turning the cleaning mechanism On and Off at the chosen limits. There are three (3) set points: High Pressure On, Low Pressure Off, and Alarm. The first two, High Pressure On and Low Pressure Off, control the filter cleaning system. The third, Alarm, provides a relay output to activate an external alarm supplied by others.

## 3 Operation

### Normal

The Delta P Controller monitors the pressure in the clean-air and dirty-air air plenums while the collector is running. The fan blower draws air through the filters, creating a pressure drop. The Delta P Controller measures the pressure drop and provides a visual display in inches water gauge or metric (SI) units of daPa.

### Filter Cleaning

When the pressure drop across the filters exceeds the High Setpoint, the controller closes an output relay allowing a timer to trigger the cleaning valves sequentially. When the pressure drop has decreased to the Low Setpoint, the relay opens and the cleaning cycle stops. This sequence continues as long as the collector is in use, maintaining the pressure drop within a narrow range.

### Alarm

The Alarm setpoint is set to a higher setting than the High Pressure On setpoint used to start the filter cleaning cycle. It indicates situations when the cleaning system cannot reduce the pressure drop due to cleaning system failure, lack of compressed air, or the end of the filter's useful life. There is a time delay prior to setting the Alarm to prevent nuisance trips. The Delta P Controller also provides an input connection for a remote alarm reset.

## 4 Product Service



During any service activities there is some potential for exposure to the mist in the collector. Most mists present safety and health hazards that require precautions. Wear eye, respiratory, head and other protection equipment suitable for the type of mist when performing any service activities.

Use appropriate access equipment and procedures. Note the standard collector is not equipped with access platforms unless noted on the specification drawings.

LOCK-OUT all energy sources prior to performing any service or maintenance on the equipment.

Electrical service or maintenance work must be performed by a qualified electrician and comply with all applicable national and local codes.

This equipment may start or stop unexpectedly from a remote location. Turn power off and lock out all power before performing service or maintenance work.

### Operational Checklist

1. Visually confirm Delta P display is illuminated and displaying differential pressure.
2. Observe and address any alarm conditions.
3. If cleaning light is on, confirm that the collector is advancing through the cleaning process.

## Troubleshooting

Problem	Probable Cause	Remedy
<b>No display on the Delta P Control</b>	No power to the control	Use a voltmeter to check for voltage at Terminal TB1.
	Fuse blown	Check the fuse in the F1 fuse tower. Replace if necessary.
<b>Display on the Delta P Control does not read zero when at rest</b>	Out of calibration	Disconnect pressure tubing. See Delta P Control Calibration section.
	With collector discharging outside, differential pressure is present from indoor to outdoor	Recalibrate with the pressure tubing attached as described in the Delta P Control Calibration section.
<b>Display reads “_ _ _”</b>	Pressure out of the allowable range	Check that high and low pressure tubing is attached and not leaking. Use a differential pressure measurement device to verify that the actual pressure does not exceed 20 " wg.
<b>Delta P Control ON, but cleaning system does not start</b>	Not wired to the timing board correctly	Connect the pressure switch on the timer board to Terminals 7 and 8 on TB3.
	Faulty relay	Using a multimeter, test relay for proper closure. Replace if necessary.
	Pressure tubing disconnected, ruptured, or plugged	Check tubing for kinks, breaks, contamination, or loose connections.
<b>Pulse cleaning never stops</b>	Pressure switch terminals on the timer board jumpered	Remove jumper wire on solid-state timer board before wiring to Delta P Control.
	Pressure switch not wired to the timer board correctly	Connect the pressure switch on the timer board to terminal 7 (normally open) and Terminal 8 (common) on TB3.
	High or low setpoint not adjusted for system conditions	Adjust setpoints to current conditions. See Setpoint Adjustment section.
	Pressure tubing disconnected, ruptured, or plugged.	Check tubing for kinks, breaks, contamination, or loose connections.



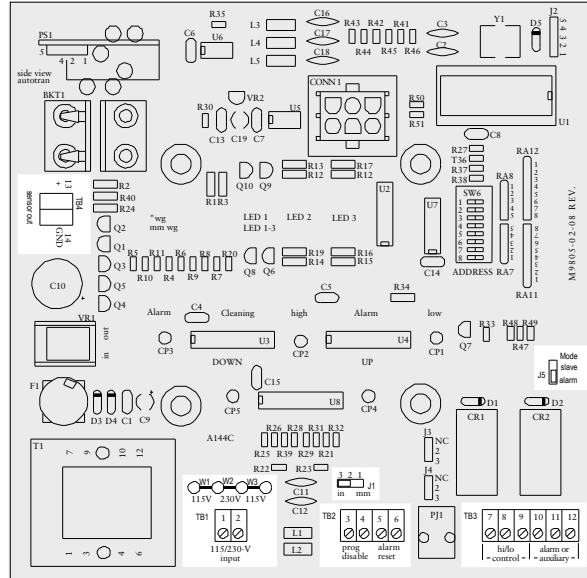
Problem	Probable Cause	Remedy
<b>Alarm light is ON</b>	Alarm setpoint too low	Adjust to a higher value.
	Excess pressure drop	Check cleaning system and compressed-air supply. Replace filters if filters do not clean down.
	Pressure tubing disconnected, ruptured, or plugged	Check tubing for kinks, breaks, contamination, or loose connections.
<b>Delta P arrow keys do not work</b>	Improper operation	Press and hold one of the three setpoint keys to use arrow keys.
	Programming keys disabled	Remove the Program Disable jumper from Terminals 3 and 4 on TB2.
<b>Cleaning light is ON, but cleaning system not functioning</b>	Improper wiring	Check wiring between the Delta P Control and the timer board, and between the timer board and solenoid valve coils.
	Defective solenoids	Check all solenoid coil for proper operation.
	Timer board not powered	Check power ON light on timer board's LED display. If not illuminated, check the supply voltage to the timer board. Check the fuse on the timer board. Replace if necessary.
	Timer board defective	If LED is illuminated, observe the output display. Install a temporary jumper across the pressure switch terminals. Output levels should flash in sequence. Check output using a multimeter set to 150-Volt AC range. Measure from SOL COM to a solenoid output. The needle will deflect when LED flashes for that output if voltage is present. If LEDs do not flash, or if no voltage is present at output terminals during flash, replace the board.

# Replacement Parts

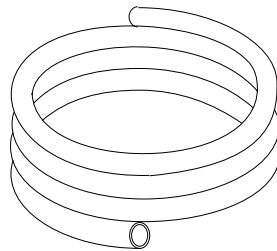
1



Keypad Label



Printed Circuit Board



2

Plastic Tubing

## Delta P Control

Item	Part Number	Description	Model
1	7508201	Delta P Control (includes keypad label and printed circuit board)	All
2	2334200	Plastic Tubing, Vinyl, 3/16-in ID, 5/16-in OD	All

# **Appendix A - Installation**

## Installation



Electrical Installation (including bonding and grounding of the collector) must be performed by a qualified electrician.

Do not install in classified hazardous atmospheres without an enclosure rated for the application.

Service must be performed by trained and qualified maintenance personnel.

This equipment may start or stop unexpectedly from a remote location

## Location and Site Selection



Codes may regulate recirculating filtered air in your facility. Consult with the appropriate authorities having jurisdiction to ensure compliance with all national and local codes regarding recirculating filtered air.

Equipment location must conform to all codes and standards, should be suitable for the type of dust being handled and should ensure easy access for service and utility connections. Site selection must account for wind, seismic zone and other load conditions.

## Delivery and Inspection

Upon arrival inspect equipment and report any damage to delivery carrier. File any damage claims with the delivery carrier. Request a written inspection report from the Claims Inspector to substantiate all damage claims.

Compare the equipment received with the description of product ordered. Report any incomplete shipments to the delivery carrier and your Donaldson Torit representative.

## Unloading and Positioning



Equipment should be lifted only by qualified crane or fork truck operators.

Failure to lift the equipment correctly can result in severe personal injury and/or property damage.

1. Remove any crates or shipping straps.
2. Inspect for any damage and/or missing parts and report to freight carrier.
3. Check for any hardware which may have become loose during shipment and tighten as necessary.

## Electrical Wiring



Electrical installation, service, or maintenance work must be performed by a qualified electrician and comply with all applicable national and local codes.

This equipment may start or stop unexpectedly from a remote location.

Turn power off and lock out all power before performing service or maintenance work.

The appropriate wiring schematic and electrical rating must be used. See collector's rating plate for required voltage.

Do not install in classified hazardous atmospheres without an enclosure rated for the application.

### **NOTICE**

The Delta P control is factory set for 115-V. To operate at 230-V, the jumper settings on the printed circuit board must be changed. See Optional Settings.

1. Choose a location near the collector that permits access to the keypad for adjustments and observation of the pressure drop. If possible, mount the control indoors.
2. Mount the control enclosure using four self-drilling, self-tapping screws.

### **NOTICE**

Use vibration isolators in high vibration areas.

3. Install conduit between the control's enclosure, the solid-state timer, and the solenoid valve enclosure on the collector.
4. Using the wiring diagram provided with the control, make the wiring connections to the Delta P control, the solid-state timer, and the solenoid valves. Make the required connections to the motor starter's low-voltage terminals.

### **NOTICE**

Use proper grounding and handling procedures to prevent permanent damage to this device. Handle the printed circuit board by the edges only. Do not touch the socketed E2PROM pins.

5. Wire the auxiliary alarm circuit, if desired. This relay activates the ALARM light on the control panel and the alarm relay if the pressure drop exceeds the alarm setpoint. The auxiliary relay can be used to activate visual or audible alarms provided by others.
6. Thirty-five feet of plastic tubing is supplied with the control and must be cut in two sections. Connect one section of tubing from the control enclosure's high-pressure port to the pressure tap on the dirty-air plenum. Connect the remaining section of tubing from the control enclosure's low-pressure port to the pressure tap on the clean-air plenum. Additional tubing can be ordered from your representative.
7. Place the program wire on the solid-state timer board pin to match the number of solenoid-valve connections used.
8. Apply power to the control. Set the high- and low-pressure setpoints to start and stop the cleaning process. Set the alarm setpoint to activate the alarm display. See Control Calibration.

## Setpoint Adjustments

### Low Setpoint

Press and hold the LOW SET key while using the increase or decrease arrow keys until the desired Low Setpoint is displayed. If the desired setting cannot be reached, increase the High Setpoint to a value higher than the intended Low Setpoint and readjust the Low Setpoint.

#### **NOTICE**

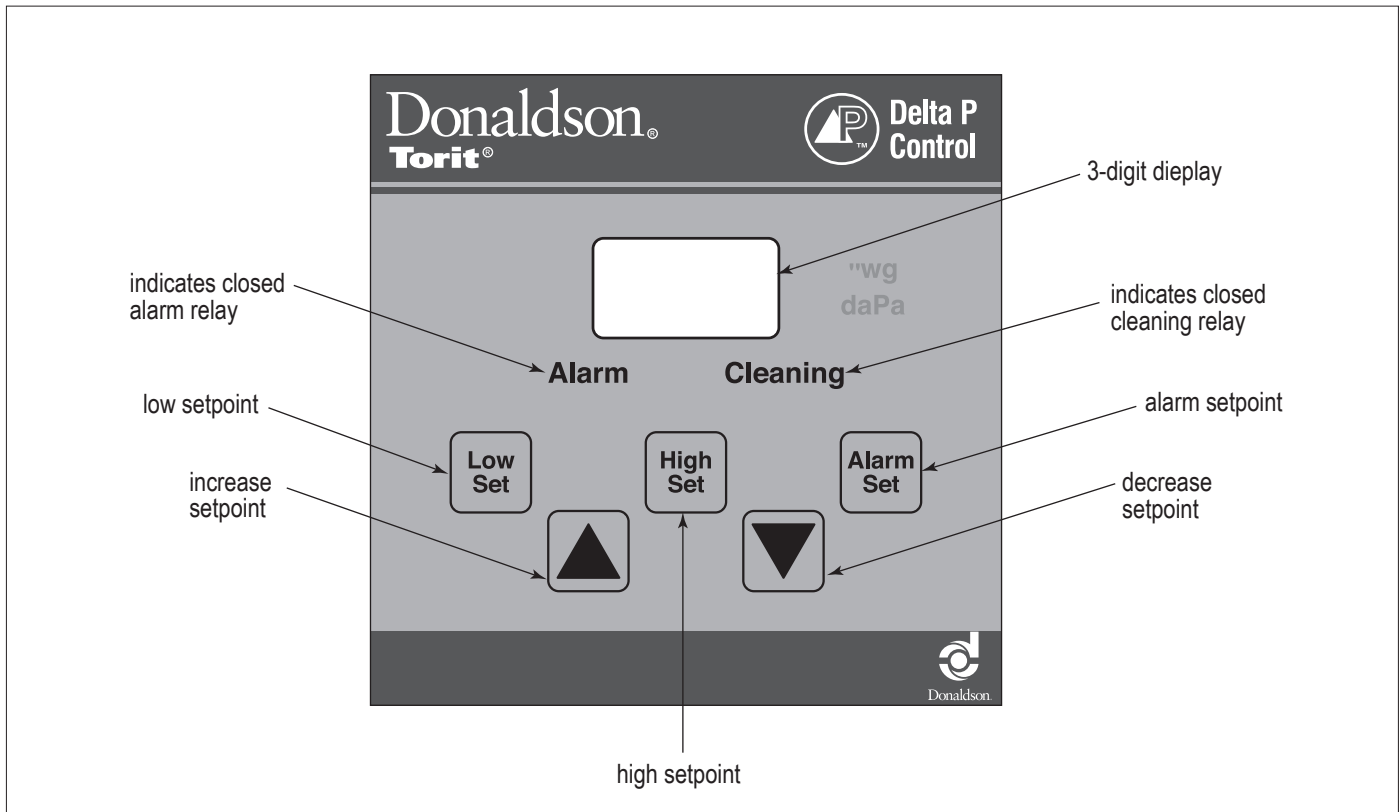
For collectors with pleated bags, it is recommended that the low setpoint be set to no lower than 0.5" w.g. below the high setpoint.

### High Setpoint

Press and hold the HIGH SET key while using the increase or decrease arrow keys until the desired High Setpoint is displayed. If the desired setting cannot be reached, increase the Alarm Setpoint to a value higher than the intended High Setpoint and readjust the High Setpoint.

### Alarm Setpoint

Press and hold the ALARM SET key while using the increase or decrease arrow keys until the desired Alarm Setpoint is displayed. If the desired setting cannot be reached, decrease the High Setpoint to a value lower than the intended Alarm Setpoint and readjust the Alarm Setpoint.

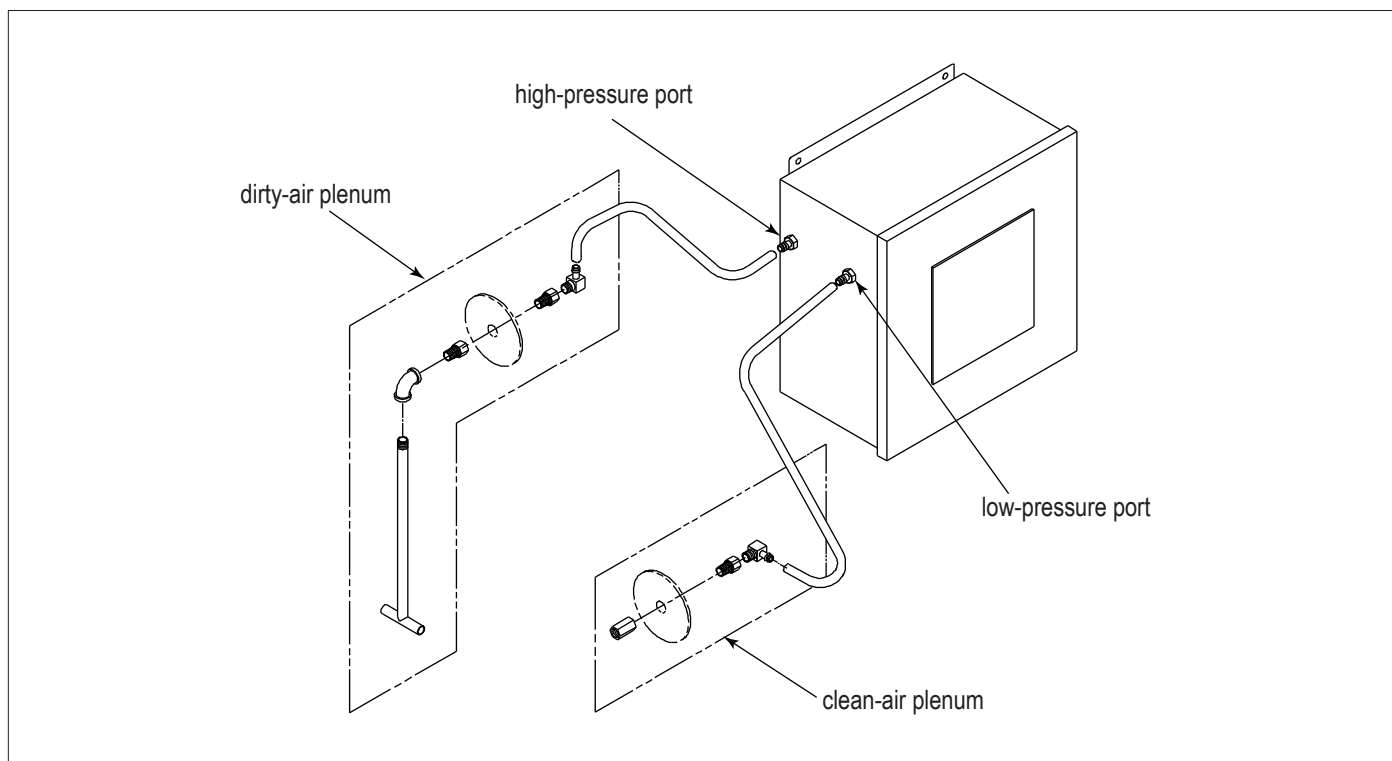


Delta P Control Display

## Delta P Control Calibration

The only user calibration is the zero adjustment of the display. Due to slight changes in electronic components over time, or pressure differentials within the plant environment, the display may read something other than 0.0 while at rest. Use the following procedure to recalibrate the operating system.

1. Turn power to the Delta P Control ON for a minimum of 30-minutes to stabilize the operating temperature.
2. Disconnect the pressure tubing, either leaving it to atmosphere or connecting the two barbed fittings together with a short length of tubing.
3. Turn power to the control OFF.
4. Press and hold the LOW SET, HIGH SET, and ALARM SET keys while turning power to the control back ON. Continue holding the keys as the control goes through its power-up sequence. The number 8 is displayed in each digit, and then the display reads 0.0.
5. Release the three keys. The new calibration is automatically stored in memory.
6. Connect one section of tubing from the control enclosure's high-pressure port to the pressure tap on the dirty-air plenum. Connect the remaining section of tubing from the control enclosure's low-pressure port to the pressure tap on the clean-air plenum.



Delta P Control Installation

## Optional Settings

### 230-V Power Supply

To operate at 230-V, remove two jumpers labeled W1 and W3. Reinsert one of the jumpers in position W2.

### Change from English to Metric (SI) Units

On the J1 jumper block located above the PROG DISABLE terminals, move the jumper from the center and left pins 2 and 3, to the center and right pins 1 and 2.

### Disable Setpoint Adjustment

To restrict setpoint changes, install a jumper wire across the PROG DISABLE terminals on Terminal Block 2, TB2. The current settings can be displayed, but no changes can be made until the jumper is removed. Interrupting the jumper with a key-operated, normally-closed switch installed in the enclosure door provides temporary access to the setting functions without opening the door.

### External Alarm Reset

Wire the ARM RESET terminals on Terminal Block 2, TB2, to a key-operated, normally-open switch. Closing the switch turns the alarm OFF. If alarm conditions still exist, the alarm relay reactivates in 10 seconds.

### Alarm Disable

Remove the jumper on Jumper Block J5 located on the lower-right quadrant of the circuit board, from the ALARM mode position.

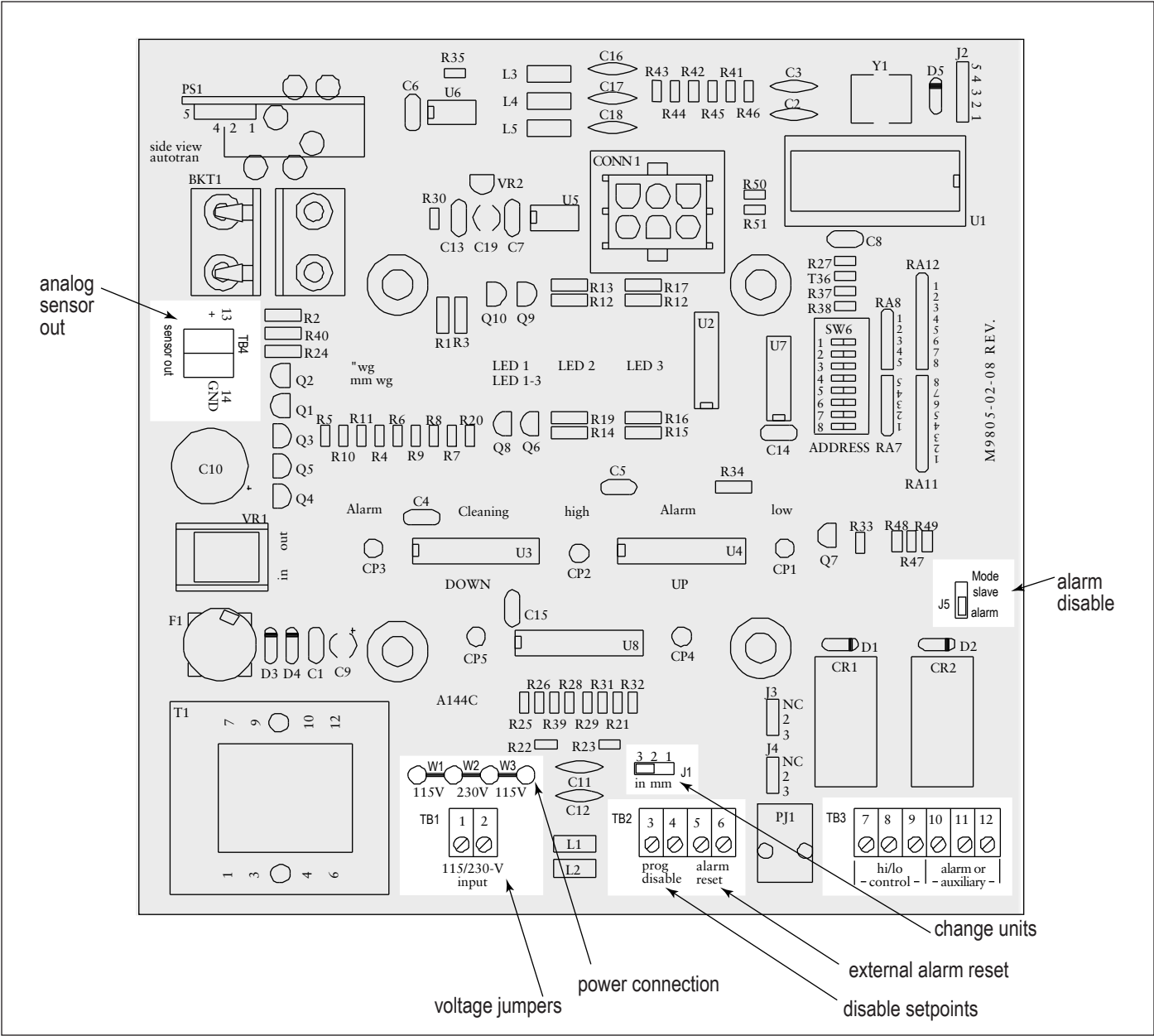
1. Reinstall the jumper in the SLAVE mode position to operate the AUXILIARY relay in parallel with the HI/LO CONTROL relay.
2. The AUXILIARY relay will not function if no jumper is installed.

Note: Disabling the alarm relay reduces the alarm function to visual display only.

### Analog Output (TB4, Terminals 13 & 14)

Terminals 13 & 14 on Terminal Block 4, TB4, in the upper-left quadrant of the circuit board, provide a 4 to 20 mA output proportional to the 0-to-maximum span of the pressure sensor. This circuit requires a 500 ohm maximum load.





Printed Circuit Board (Optional Settings Location)

**Product Information** (Process Owner to complete and retain for your records)

Model Number _____	Serial Number _____
Ship Date _____	Installation Date _____
Filter Type _____	
Collected Dust _____	
Dust Properties: Kst _____	Pmax _____ MIE _____ MEC _____
Accessories _____	
Other _____	
_____	

**Service Notes**

Date	Service Performed	Notes
------	-------------------	-------


## Donaldson Industrial Air Filtration Warranty

Donaldson warrants to the original purchaser only that the Goods will be free from defects in material and manufacture for the applicable time periods stated below: (1) Major structural components for a period of ten (10) years from the date of shipment; (2) Non-Structural, Donaldson-built components and accessories including Donaldson Airlocks, TBI Fans, TRB Fans, Fume Collector products, Donaldson built electrical control components, and Donaldson-built Afterfilter housings for a period of twelve (12) months from date of shipment; and (3) Donaldson-built filter elements for a period of eighteen (18) months from date of shipment.

Buyer is solely responsible for determining if goods fit Buyer's particular purpose and are suitable for Buyer's process and application. Seller's statements, engineering and technical information, and recommendations are provided for the Buyer's convenience and the accuracy or completeness thereof is not warranted. If, after Seller receives written notice, within the warranty period, that any goods allegedly do not meet Seller's warranty, and Seller, in its sole discretion, determines that such claim is valid, Seller's sole obligation and Buyer's exclusive remedy for breach of the foregoing warranty or any Seller published warranty, will be, at Seller's option, either: (i) repair or replacement of such goods or (ii) credit or refund to Buyer for the purchase price from Seller. In the case of repair or replacement, Seller will be responsible for the cost of shipping the parts but not for labor to remove, repair, replace or reinstall the allegedly defective goods. Refurbished goods may be used to repair or replace the goods and the warranty on such repaired or replaced goods shall be the balance of the warranty remaining on the goods which were repaired or replaced. Any repair or rework made by anyone other than Seller is not permitted without prior written authorization by Seller, and voids the warranty set forth herein. Seller warrants to Buyer that it will perform services in accordance with the Sales Documents using personnel of required skill, experience and qualifications and in a professional and workmanlike manner in accordance with generally recognized industry standards for similar services. With respect to any services subject to a claim under the warranty set forth above, Seller shall, in its sole discretion, (i) repair or re-perform the applicable services or (ii) credit or refund the price of such services at the pro rata contract rate and such shall be Seller's sole obligation and the exclusive remedy for breach of the foregoing warranty on services. Products manufactured by a third party ("Third Party Product") may constitute, contain, be contained in, incorporated into, attached to or packaged together with, the goods. Buyer agrees that: (a) Third Party Products are excluded from Seller's warranty in this Section 7 and carry only the warranty extended by the original manufacturer, and (b) Seller's liability in all cases is limited to goods of Seller's design and manufacture only. EXCEPT FOR SELLER'S WARRANTY OF TITLE TO THE GOODS, SELLER EXPRESSLY DISCLAIMS AND EXCLUDES ALL OTHER WARRANTIES WHATSOEVER, WHETHER, EXPRESSED OR IMPLIED, ORAL, STATUTORY, OR OTHERWISE, INCLUDING BUT NOT LIMITED TO MERCHANTABILITY, FITNESS FOR A PARTICULAR PURPOSE, NON-INFRINGEMENT OF THIRD PARTY INTELLECTUAL PROPERTY AND ANY WARRANTIES ARISING FROM TECHNICAL ADVICE OR RECOMMENDATIONS, COURSE OF DEALING OR OF PERFORMANCE, CUSTOM OR USAGE OF TRADE. Seller's obligations do not cover normal wear and tear or deterioration, defects in or damage to any goods resulting from improper installation, accident or any utilization, maintenance, repair or modification of the goods, or any use that is inconsistent with Seller's instructions as to the storage, installation, commissioning or use of the goods or the designed capabilities of the goods or that, in its sole judgment, the performance or reliability thereof is adversely affected thereby, or which is subjected to abuse, mishandling, misuse or neglect or any damage caused by connections, interfacing or use in unforeseen or unintended environments or any other cause not the sole fault of Seller, and shall be at Buyer's expense. Seller's warranty is contingent upon the accuracy of all information provided by Buyer. Any changes to or inaccuracies in any information or data provided by Buyer voids this warranty. Seller does not warrant that the operation of the goods will be uninterrupted or error-free, that the functions of the goods will meet Buyer's or its customer's requirements unless specifically agreed to, or that the goods will operate in combination with other products selected by Buyer or Buyer's customer for its use.

The terms of this warranty may only be modified by a special warranty document signed by a Director, General Manager or Vice President of Donaldson. To ensure proper operational performance of your equipment, use only genuine Donaldson replacement parts.

**This Product is provided subject to and conditioned upon Donaldson's Terms of Sale ("Terms"), a current copy of which is located at [termsofsale.donaldson.com](http://termsofsale.donaldson.com). These Terms are incorporated herein by reference. By purchasing or using this Product, the user accepts these Terms. The Terms are available on our website or by calling our customer service line at 1-800-365-1331.**

Significantly improve the performance of your collector with genuine Donaldson Torit replacement filters and parts. **Call Donaldson Torit at 800-365-1331.**

**Important Notice:** Many factors beyond the control of Donaldson can affect the use and performance of Donaldson products in a particular application, including the conditions under which the product is used. Since these factors are uniquely within the user's knowledge and control, it is essential the user evaluate the products to determine whether the product is fit for the particular purpose and suitable for the user's application. All products, product specifications, availability and data are subject to change without notice, and may vary by region or country.



Donaldson Company, Inc.  
Minneapolis, MN  
**donaldsontorit.com • shop.donaldson.com**

**North America**  
Email: donaldsontorit@donaldson.com  
Phone: (USA): +1-800-365-1331 • (MX): +1-800-343-3639

**Australasia**  
Email: marketing.australia@donaldson.com  
Phone: +61-2-4350-2000  
Toll Free: (AU) +1800-345-837 • (NZ) +0800-743-387

IOM 7546301 (ENG), Revision 14 (February 2021) ©2002 Donaldson Company, Inc. Donaldson, Torit, and the color blue are marks of Donaldson Company, Inc. All other marks belong to their respective owners.

**China**  
Email: info.cn@donaldson.com  
Phone: +86-400-820-1038

**Donaldson Europe B.V.B.A**  
Email: IAF-europe@donaldson.com  
Phone: +32-16-38-3811

**India**  
Email: info.dfis@donaldson.com  
Phone: +91-124-4807-400 • +1-800-103-5018

**Japan**  
Email: jp-ndl.ifsw@donaldson.com  
Phone: +81-42-540-4112

**Korea**  
Email: iaf-kr@donaldson.com  
Phone: +82-2-517-3333

**Latinoamerica**  
Email: IndustrialAir@donaldson.com  
Phone: +52-449-300-2442

**South Africa**  
Email: SAMarketing@donaldson.com  
Phone: +27 11 997 6000

**Southeast Asia**  
Email: IAF.SEA@donaldson.com  
Phone: (65) 63117373