



Donaldson
FILTRATION SOLUTIONS

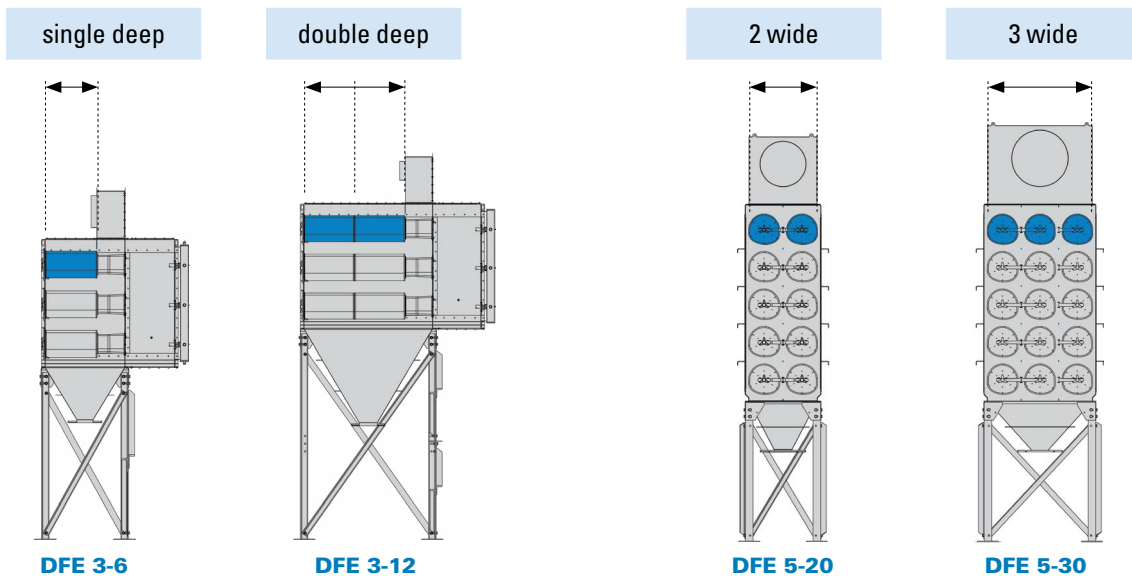
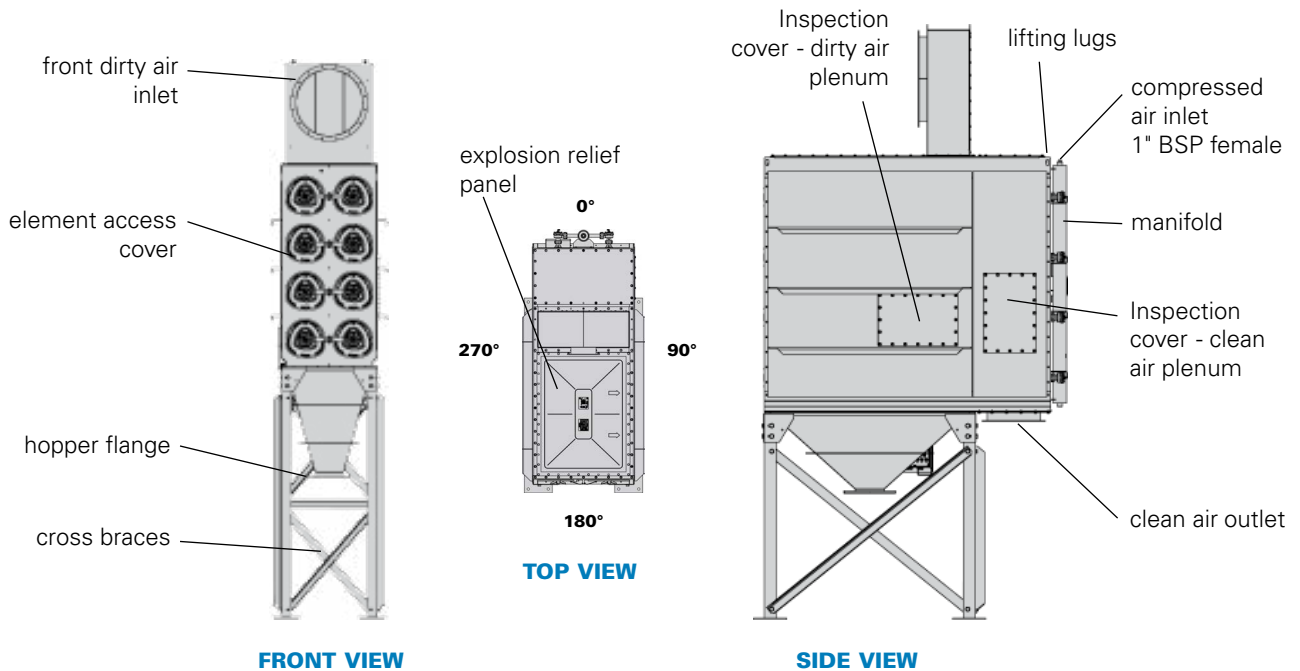
TECHNICAL DATASHEET

Downflo® Evolution Dust Collectors



DESIGN SPECIFICATIONS

The DFE dust collector is a highly configurable product. This datasheet covers the main properties and options. However, for an outline drawing that represents your exact configuration, always contact your Donaldson representative.



DESIGN LIMITS

Operating temperature: -10° to +60°C

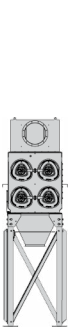
Maximum operating pressure: -6.2 kPa*

Reinforced unit maximum allowed P_{red}: 40 kPa (0.4 barg)

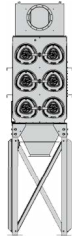
Wind load rating: 145 km/h

* for use in positive pressure contact engineering

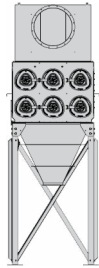
MODEL OVERVIEW



2-4
2-8



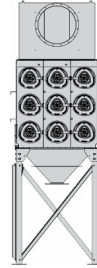
3-6
3-12



2-12



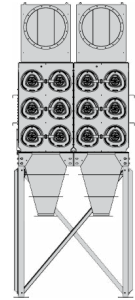
4-16



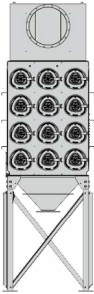
3-18



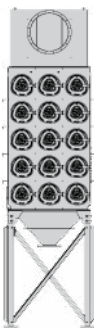
5-20



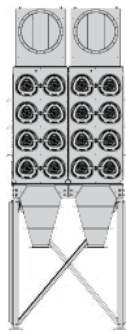
3-24



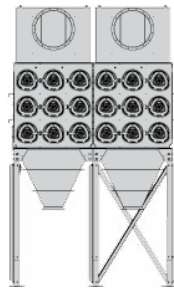
4-24



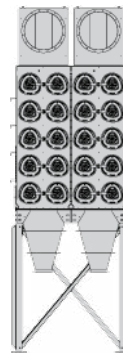
5-30



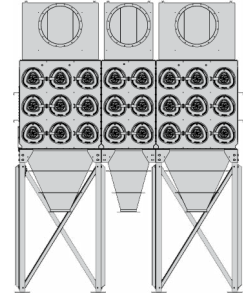
4-32



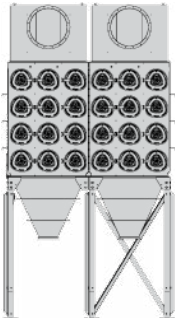
3-36



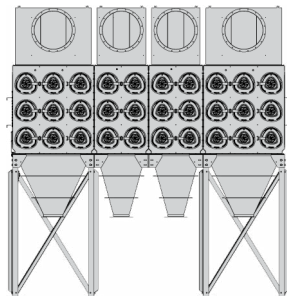
5-40



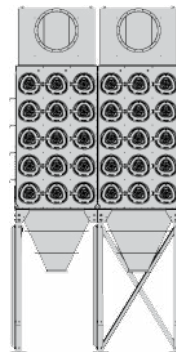
3-48



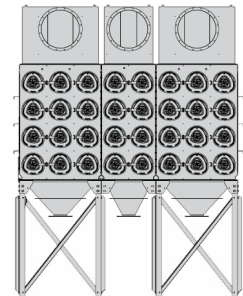
4-48



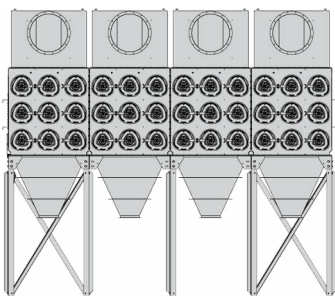
3-60



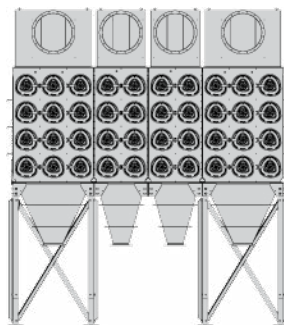
5-60



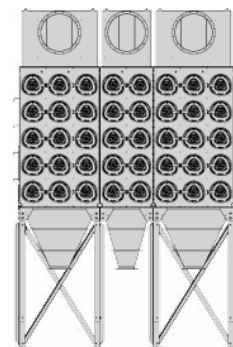
4-64



3-72

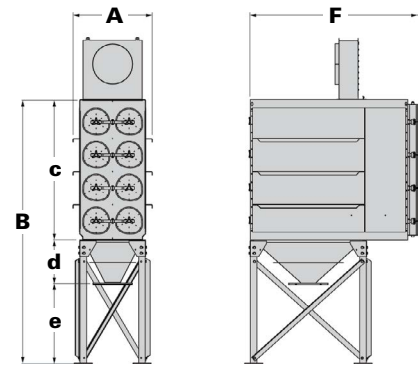
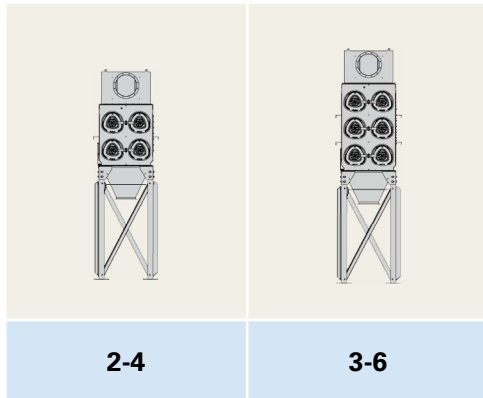


4-80



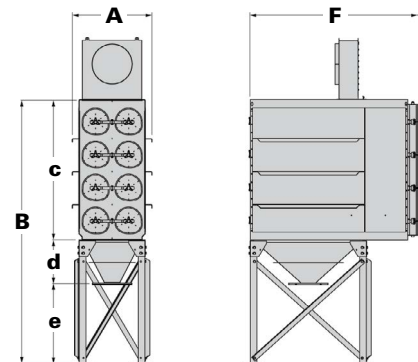
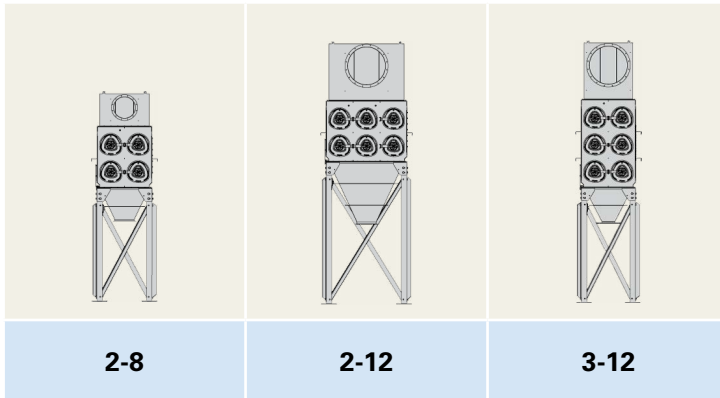
5-80

DIMENSIONS & SPECIFICATIONS



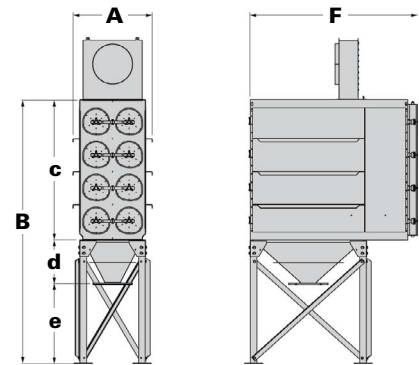
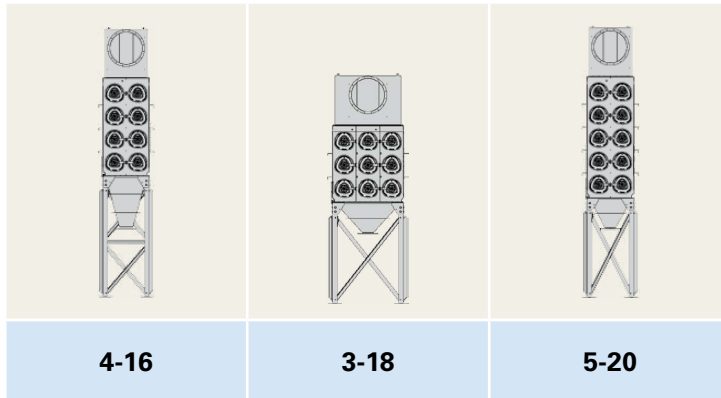
Model	Width modules	No. of cartridges	No. of valves	Single/Double	Dust disposal system	Dimensions (mm)					
						A	B	c	d	e	F
2-4	2	4	4	single deep	200 L drum	1225	3266	1143	623	1500	1894
					80 L drum	1225	2831	1143	623	1065	1894
					hook-on dustbin	1225	2166	1143	623	400	1894
					quick release	1225	2166	1143	623	400	1894
					rotary airlock	1225	3266	1143	623	1500	1894
3-6	2	6	6	single deep	200 L drum	1225	3774	1651	623	1500	1894
					80 L drum	1225	3339	1651	623	1065	1894
					hook-on dustbin	1225	2674	1651	623	400	1894
					quick release	1225	2674	1651	623	400	1894
					rotary airlock	1225	3774	1651	623	1500	1894

DIMENSIONS & SPECIFICATIONS



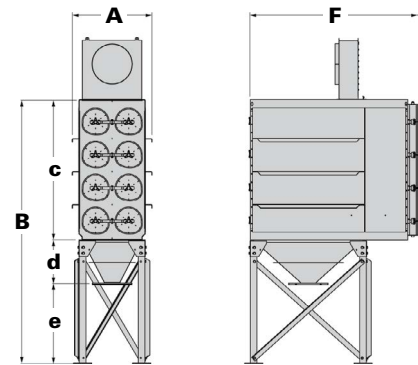
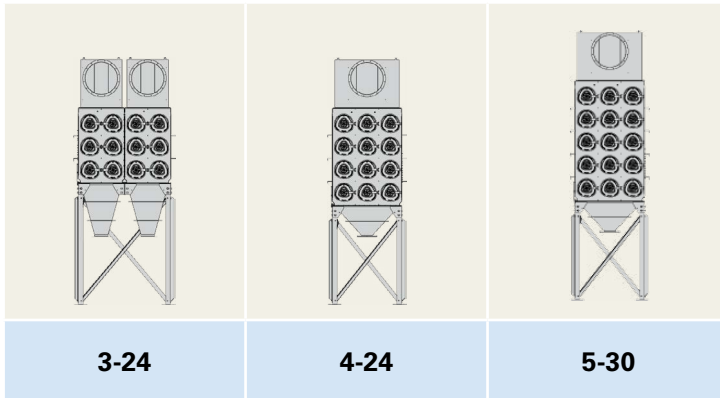
Model	Width modules	No. of cartridges	No. of valves	Single/ Double	Dust disposal system	Dimensions (mm)					
						A	B	c	d	e	F
2-8	2	8	4	double deep	200 L drum	1225	3816	1143	1173	1500	2567
					80 L drum	1225	3381	1143	1173	1065	2567
					hook-on dustbin	1225	2716	1143	1173	400	2567
					quick release	1225	2716	1143	1173	400	2567
					rotary airlock	1225	3816	1143	1173	1500	2567
2-12	3	12	6	double deep	200 L drum	1727	3816	1143	1173	1500	2567
					80 L drum	1727	3381	1143	1173	1065	2567
					hook-on dustbin	1727	2716	1143	1173	400	2567
					quick release	1727	2716	1143	1173	400	2567
					rotary airlock	1727	3816	1143	1173	1500	2567
3-12	2	12	6	double deep	200 L drum	1225	4324	1651	1173	1500	2567
					80 L drum	1225	3889	1651	1173	1065	2567
					hook-on dustbin	1225	3224	1651	1173	400	2567
					quick release	1225	3224	1651	1173	400	2567
					rotary airlock	1225	4324	1651	1173	1500	2567

DIMENSIONS & SPECIFICATIONS



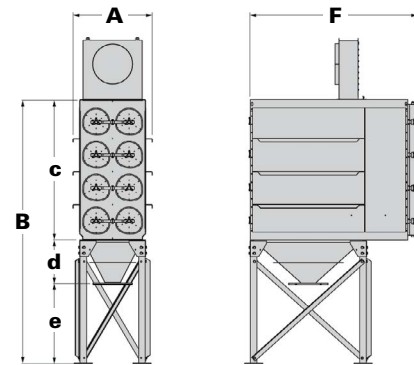
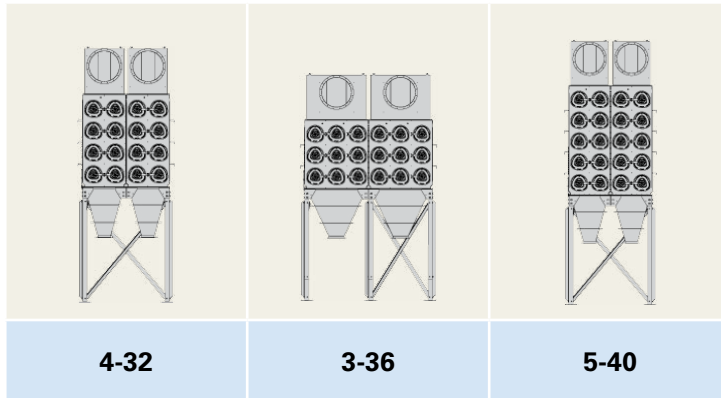
Model	Width modules	No. of cartridges	No. of valves	Single/ Double	Dust disposal system	Dimensions (mm)					
						A	B	c	d	e	F
4-16	2	16	8	double deep	200 L drum	1225	4832	2159	1173	1500	2567
					80 L drum	1225	4397	2159	1173	1065	2567
					hook-on dustbin	1225	3732	2159	1173	400	2567
					quick release	1225	3732	2159	1173	400	2567
					rotary airlock	1225	4832	2159	1173	1500	2567
3-18	3	18	9	double deep	200 L drum	1727	4324	1651	1173	1500	2567
					80 L drum	1727	3889	1651	1173	1065	2567
					hook-on dustbin	1727	3224	1651	1173	400	2567
					quick release	1727	3224	1651	1173	400	2567
					rotary airlock	1727	4324	1651	1173	1500	2567
5-20	2	20	10	double deep	200 L drum	1225	5348	2675	1173	1500	2567
					80 L drum	1225	4913	2675	1173	1065	2567
					hook-on dustbin	1225	4248	2675	1173	400	2567
					quick release	1225	4248	2675	1173	400	2567
					rotary airlock	1225	5348	2675	1173	1500	2567

DIMENSIONS & SPECIFICATIONS



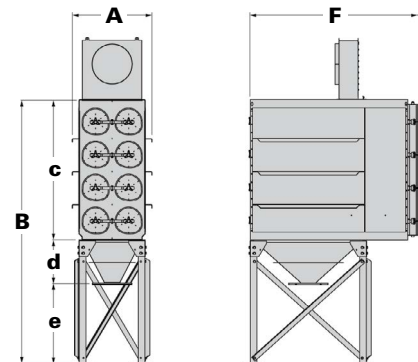
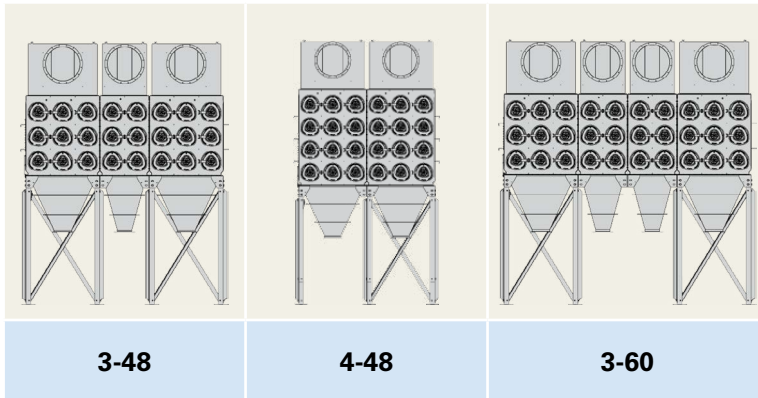
Model	Width modules	No. of cartridges	No. of valves	Single/ Double	Dust disposal system	Dimensions (mm)					
						A	B	c	d	e	F
3-24	2 + 2	24	12	double deep	200 L drum	2241	4324	1651	1173	1500	2567
					80 L drum	2241	3889	1651	1173	1065	2567
					hook-on dustbin	2241	3224	1651	1173	400	2567
					quick release	2241	3224	1651	1173	400	2567
					rotary airlock	2241	4324	1651	1173	1500	2567
4-24	3	24	12	double deep	200 L drum	1727	4832	2159	1173	1500	2567
					80 L drum	1727	4397	2159	1173	1065	2567
					hook-on dustbin	1727	3732	2159	1173	400	2567
					quick release	1727	3732	2159	1173	400	2567
					rotary airlock	1727	4832	2159	1173	1500	2567
5-30	3	30	15	double deep	200 L drum	1727	5348	2675	1173	1500	2567
					80 L drum	1727	4913	2675	1173	1065	2567
					hook-on dustbin	1727	4248	2675	1173	400	2567
					quick release	1727	4248	2675	1173	400	2567
					rotary airlock	1727	5348	2675	1173	1500	2567

DIMENSIONS & SPECIFICATIONS



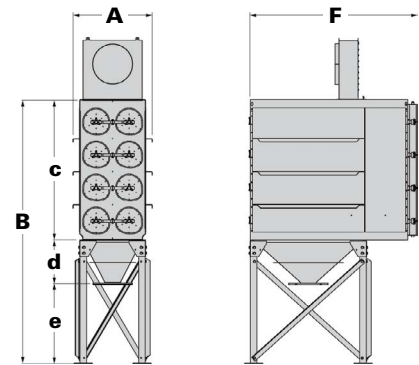
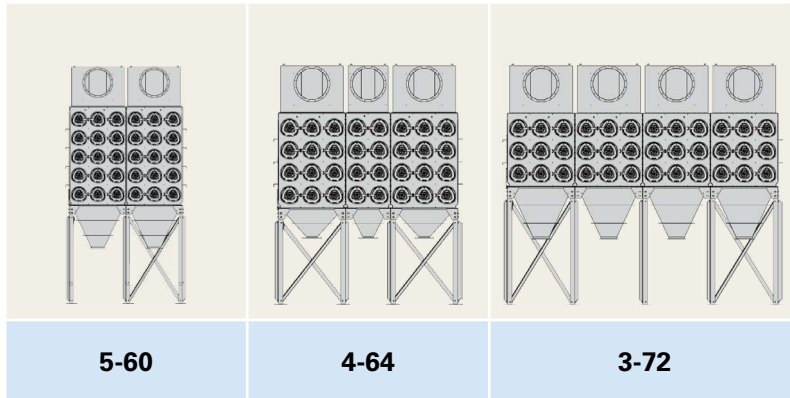
Model	Width modules	No. of cartridges	No. of valves	Single/Double	Dust disposal system	Dimensions (mm)					
						A	B	c	d	e	F
4-32	2 + 2	32	16	double deep	200 L drum	2241	4832	2159	1173	1500	2567
					80 L drum	2241	4397	2159	1173	1065	2567
					hook-on dustbin	2241	3732	2159	1173	400	2567
					quick release	2241	3732	2159	1173	400	2567
					rotary airlock	2241	4832	2159	1173	1500	2567
3-36	3 + 3	36	18	double deep	200 L drum	3257	4324	1651	1173	1500	2567
					80 L drum	3257	3889	1651	1173	1065	2567
					hook-on dustbin	3257	3224	1651	1173	400	2567
					quick release	3257	3224	1651	1173	400	2567
					rotary airlock	3257	4324	1651	1173	1500	2567
5-40	2 + 2	40	20	double deep	200 L drum	2241	5348	2675	1173	1500	2567
					80 L drum	2241	4913	2675	1173	1065	2567
					hook-on dustbin	2241	4248	2675	1173	400	2567
					quick release	2241	4248	2675	1173	400	2567
					rotary airlock	2241	5348	2675	1173	1500	2567

DIMENSIONS & SPECIFICATIONS



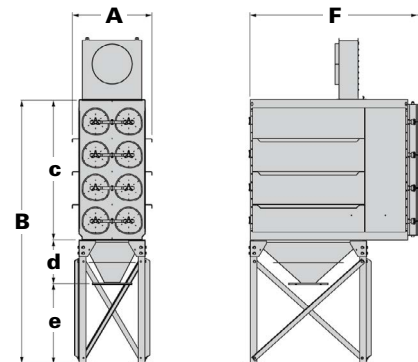
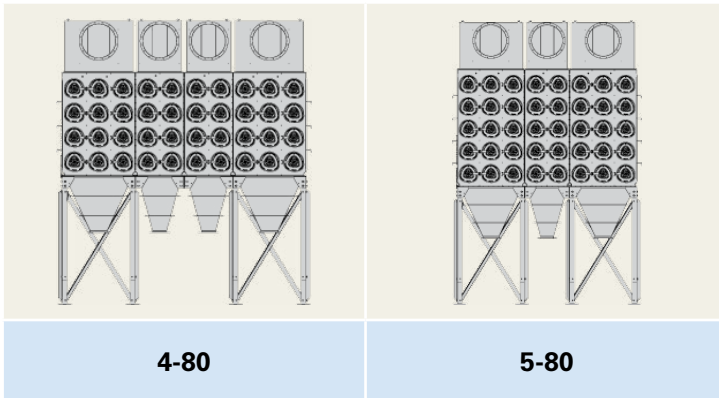
Model	Width modules	No. of cartridges	No. of valves	Single/Double	Dust disposal system	Dimensions (mm)					
						A	B	c	d	e	F
3-48	3 + 2 + 3	48	24	double deep	200 L drum	4273	4324	1651	1173	1500	2567
					80 L drum	4273	3889	1651	1173	1065	2567
					hook-on dustbin	4273	3224	1651	1173	400	2567
					quick release	4273	3224	1651	1173	400	2567
					rotary airlock	4273	4324	1651	1173	1500	2567
4-48	3 + 3	48	24	double deep	200 L drum	3257	4832	2159	1173	1500	2567
					80 L drum	3257	4397	2159	1173	1065	2567
					hook-on dustbin	3257	3732	2159	1173	400	2567
					quick release	3257	3732	2159	1173	400	2567
					rotary airlock	3257	4832	2159	1173	1500	2567
3-60	3 + 2 + 2 + 3	60	30	double deep	200 L drum	5289	4324	1651	1173	1500	2567
					80 L drum	5289	3889	1651	1173	1065	2567
					hook-on dustbin	5289	3224	1651	1173	400	2567
					quick release	5289	3224	1651	1173	400	2567
					rotary airlock	5289	4324	1651	1173	1500	2567

DIMENSIONS & SPECIFICATIONS



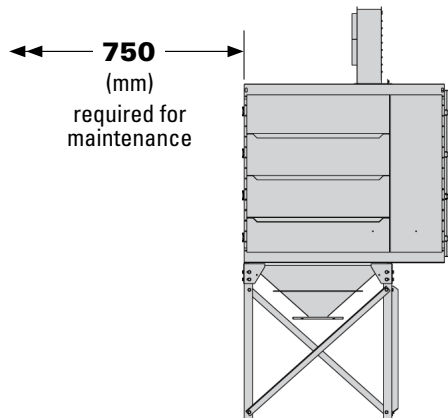
Model	Width modules	No. of cartridges	No. of valves	Single/Double	Dust disposal system	Dimensions (mm)					
						A	B	c	d	e	F
5-60	3 + 3	60	30	double deep	200 L drum	3257	5348	2675	1173	1500	2567
					80 L drum	3257	4913	2675	1173	1065	2567
					hook-on dustbin	3257	4248	2675	1173	400	2567
					quick release	3257	4248	2675	1173	400	2567
					rotary airlock	3257	5348	2675	1173	1500	2567
4-64	3 + 2 + 3	64	32	double deep	200 L drum	4273	4832	2159	1173	1500	2567
					80 L drum	4273	4397	2159	1173	1065	2567
					hook-on dustbin	4273	3732	2159	1173	400	2567
					quick release	4273	3732	2159	1173	400	2567
					rotary airlock	4273	4832	2159	1173	1500	2567
3-72	3 + 3 + 3 + 3	72	36	double deep	200 L drum	6305	4324	1651	1173	1500	2567
					80 L drum	6305	3889	1651	1173	1065	2567
					hook-on dustbin	6305	3224	1651	1173	400	2567
					quick release	6305	3224	1651	1173	400	2567
					rotary airlock	6305	4324	1651	1173	1500	2567

DIMENSIONS & SPECIFICATIONS



Model	Width modules	No. of cartridges	No. of valves	Single/Double	Dust disposal system	Dimensions (mm)					
						A	B	c	d	e	F
4-80	3 + 2 + 2 + 3	80	40	double deep	200 L drum	5289	4832	2159	1173	1500	2567
					80 L drum	5289	4397	2159	1173	1065	2567
					hook-on dustbin	5289	3732	2159	1173	400	2567
					quick release	5289	3732	2159	1173	400	2567
					rotary airlock	5289	4832	2159	1173	1500	2567
5-80	3 + 2 + 3	80	40	double deep	200 L drum	4273	5348	2675	1173	1500	2567
					80 L drum	4273	4913	2675	1173	1065	2567
					hook-on dustbin	4273	4248	2675	1173	400	2567
					quick release	4273	4248	2675	1173	400	2567
					rotary airlock	4273	5348	2675	1173	1500	2567

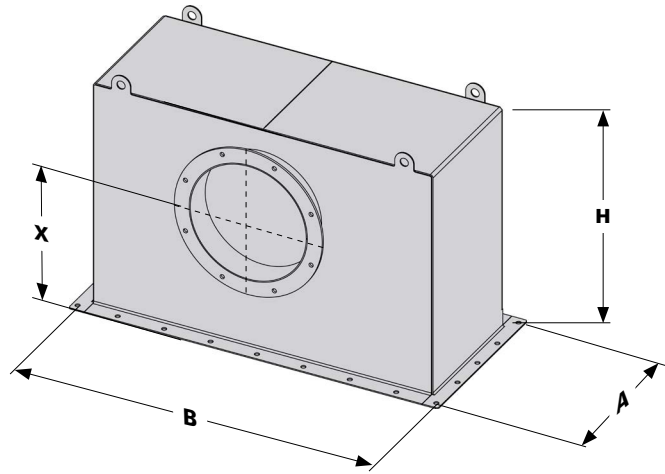
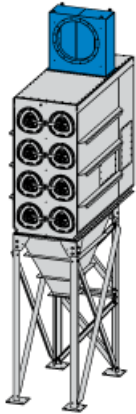
DIMENSIONS & SPECIFICATIONS



Model	No. of cartridges	Ultra-Web filter area (m ²)	Approx. shipping weight (kg)
2-4	4	95	857
3-6	6	142	1043
2-8	8	189	1043
2-12	12	284	1316
3-12	12	284	1043
4-16	16	378	1497
3-18	18	425	1588
5-20	20	472	1746
3-24	24	567	2041
4-24	24	567	1855
5-30	30	708	2177
4-32	32	756	2359
3-36	36	850	2585
5-40	40	944	2812
3-48	48	1133	3179
4-48	48	1133	3039
3-60	60	1416	4490
5-60	60	1416	3493
4-64	64	1511	4309
3-72	72	1700	5262
4-80	80	1888	5216
5-80	80	1888	4990

Media	Filter area per cartridge (m ²)
Ultra-Web	23.6

DIRTY AIR PLENUM - STANDARD INLET

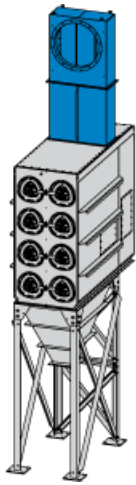


Flange	Configuration	Dimensions (mm)			
		A	B	X	H
NW160 *	2 wide	419	965	202	343
	3 wide	419	1473	202	343
NW200 *	2 wide	419	965	182	343
	3 wide	419	1473	182	343
NW250	2 wide	419	965	423	610
	3 wide	419	1473	423	610
NW280	2 wide	419	965	408	610
	3 wide	419	1473	408	610
NW315	2 wide	419	965	391	610
	3 wide	419	1473	391	610
NW355	2 wide	419	965	371	610
	3 wide	419	1473	371	610
NW400	2 wide	419	965	348	610
	3 wide	419	1473	348	610
NW450 **	2 wide	419	965	628	915
	3 wide	419	1473	628	915
NW500 **	2 wide	419	965	603	915
	3 wide	419	1473	603	915
NW560 **	2 wide	419	965	573	915
	3 wide	419	1473	573	915
NW630 **	2 wide	419	965	538	915
	3 wide	419	1473	538	915
NW710 **	2 wide	419	965	650	1067
	3 wide	419	1473	65	1067

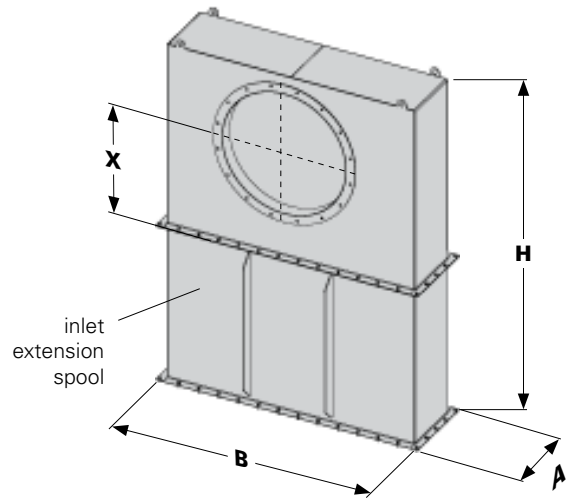
* only for single deep units

** only on double deep units

DIRTY AIR PLENUM - INLET EXTENSION SPOOL



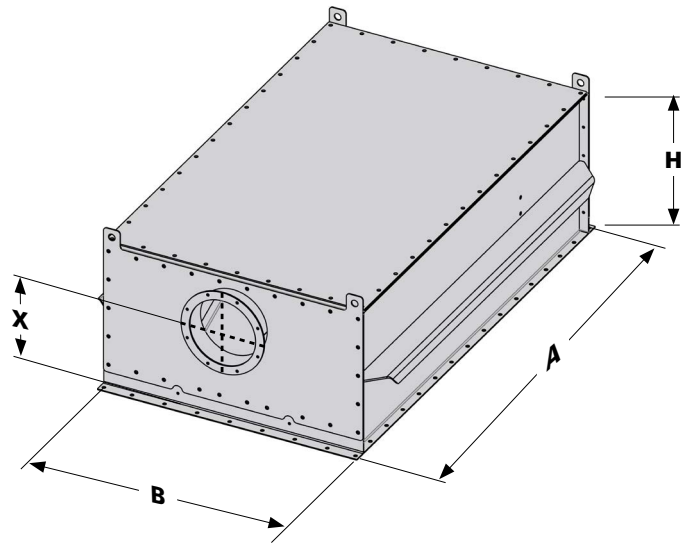
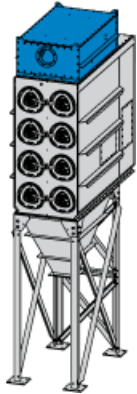
An inlet extension spool is required for top vented units with air inlet in front.



Flange	Configuration	Dimensions (mm)			
		A	B	X	H
NW160 *	2 wide	419	965	201.5	1258
	3 wide	419	1473	201.5	1258
NW200 *	2 wide	419	965	181.5	1258
	3 wide	419	1473	181.5	1258
NW250	2 wide	419	965	423	1525
	3 wide	419	1473	423	1525
NW280	2 wide	419	965	408	1525
	3 wide	419	1473	408	1525
NW315	2 wide	419	965	391	1525
	3 wide	419	1473	391	1525
NW355	2 wide	419	965	371	1525
	3 wide	419	1473	371	1525
NW400	2 wide	419	965	348	1525
	3 wide	419	1473	348	1525
NW450 **	2 wide	419	965	628	1830
	3 wide	419	1473	628	1830
NW500 **	2 wide	419	965	603	1830
	3 wide	419	1473	603	1830
NW560 **	2 wide	419	965	573	1830
	3 wide	419	1473	573	1830
NW630 **	2 wide	419	965	538	1830
	3 wide	419	1473	538	1830
NW710 **	2 wide	419	965	650	1982
	3 wide	419	1473	560	1982

* only for single deep units
 ** only on double deep units

DIRTY AIR PLENUM - HIFLO INLET



Configuration	Dimensions (mm)	
	A	B
2 wide - 1 deep	1052	965
2 wide - 2 deep	1697	965
3 wide - 2 deep	1697	1473

Flange	Dimensions (mm)	
	H	X
NW160 *	393.7	260.5
NW200 *	393.7	240
NW250	563.8	381
NW315	563.8	340
NW355	563.8	330
NW450 **	767	450
NW560 **	767	407
NW630 **	767	407
NW710 **	970.2	530
NW800 **	970.2	503
NW900 ***	1224.2	719.4
NW1000 ***	1224.2	656

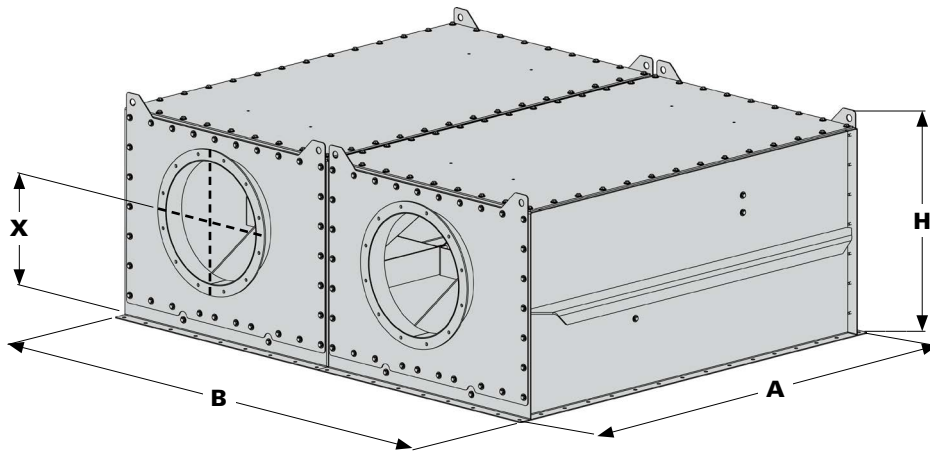
Hiflo inlet comes with 2 roof options:

- Normal
- Vented

Not standard available on multi-modules

- * only on single deep units
- ** only on double deep units
- *** only on 3 wide units

DIRTY AIR PLENUM - HIFLO INLET MULTI MODULE

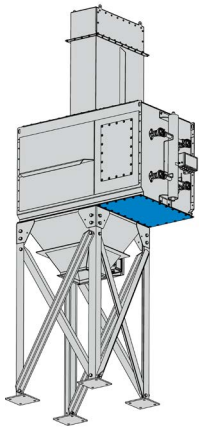


Flange	Configuration	Dimensions (mm)					
		A	B	X1 NW450	X2 NW560	X3 NW630	H
NW450	2-8 3-12 4-16 5-20	1734,9	996	450	407	407	822,33
	2-12 3-18 4-24 5-30	1735	1504	450	407	407	822,33
	3-24 4-32 5-40	1734,9	2032	450	407	407	822,33
NW560	3-36 4-48 5-60	1734,9	3048	450	407	407	822,33
NW630	3-48 4-64 5-80	1734,9	4064	450	407	407	822,33
	3-60 4-80	1734,9	5080	450	407	407	822,33
	3-72	1734,9	6096	450	407	407	822,33

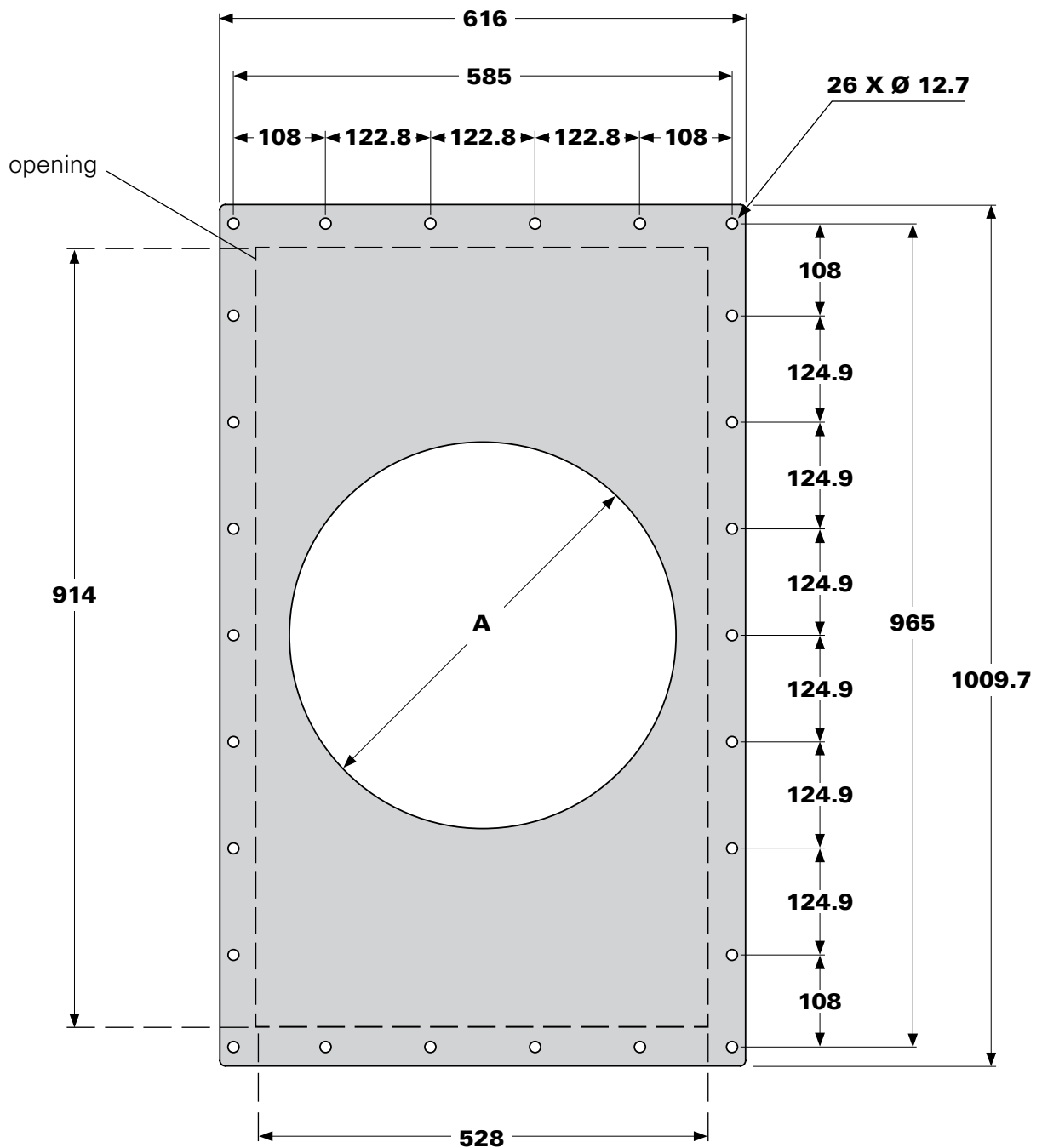
Flange	Configuration	A	B	X1 NW710	X2 NW800	H
NW710	2-8 3-12 4-16 5-20	1735	996	530	503	1025,53
	2-12 3-18 4-24 5-30	1735	1503	530	503	1025,53
	3-24 4-32 5-40	1734,9	2032	530	503	1025,53
NW800	3-36 4-48 5-60	1734,9	3048	530	503	1025,53
	3-48 4-64 5-80	1734,9	4064	530	503	1025,53
	3-60 4-80	1734,9	5080	530	503	1025,53
	3-72	1734,9	6096	530	503	1025,53

Flange	Configuration	A	B	X1 NW900	X2 NW1000	H
NW900	2-12 3-18 4-24 5-30	1735	1503	656	656	1279,53
	3-36 4-48 5-60	1734,9	3048	656	656	1279,53
NW1000	3-48 4-64 5-80	1734,9	4064	656	656	1279,53
	3-60 4-80	1734,9	5080	656	656	1280
	3-72	1734,9	6096	656	656	1280

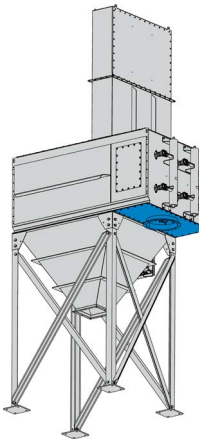
CLEAN AIR PLENUM - OUTLET - 2 WIDE



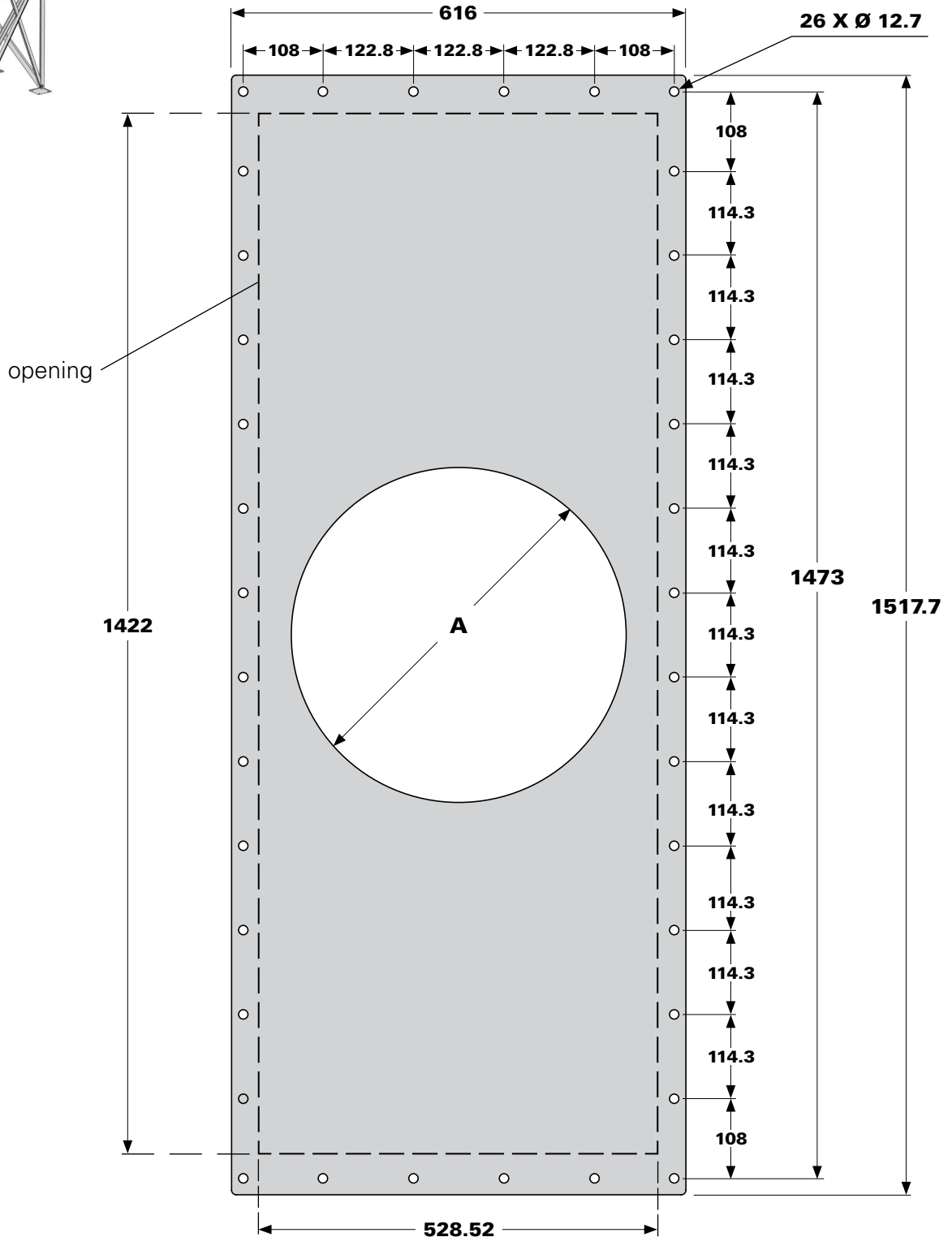
Optional outlet flanges	Dimensions (mm)
	A
NW355	358
NW400	404
NW450	454



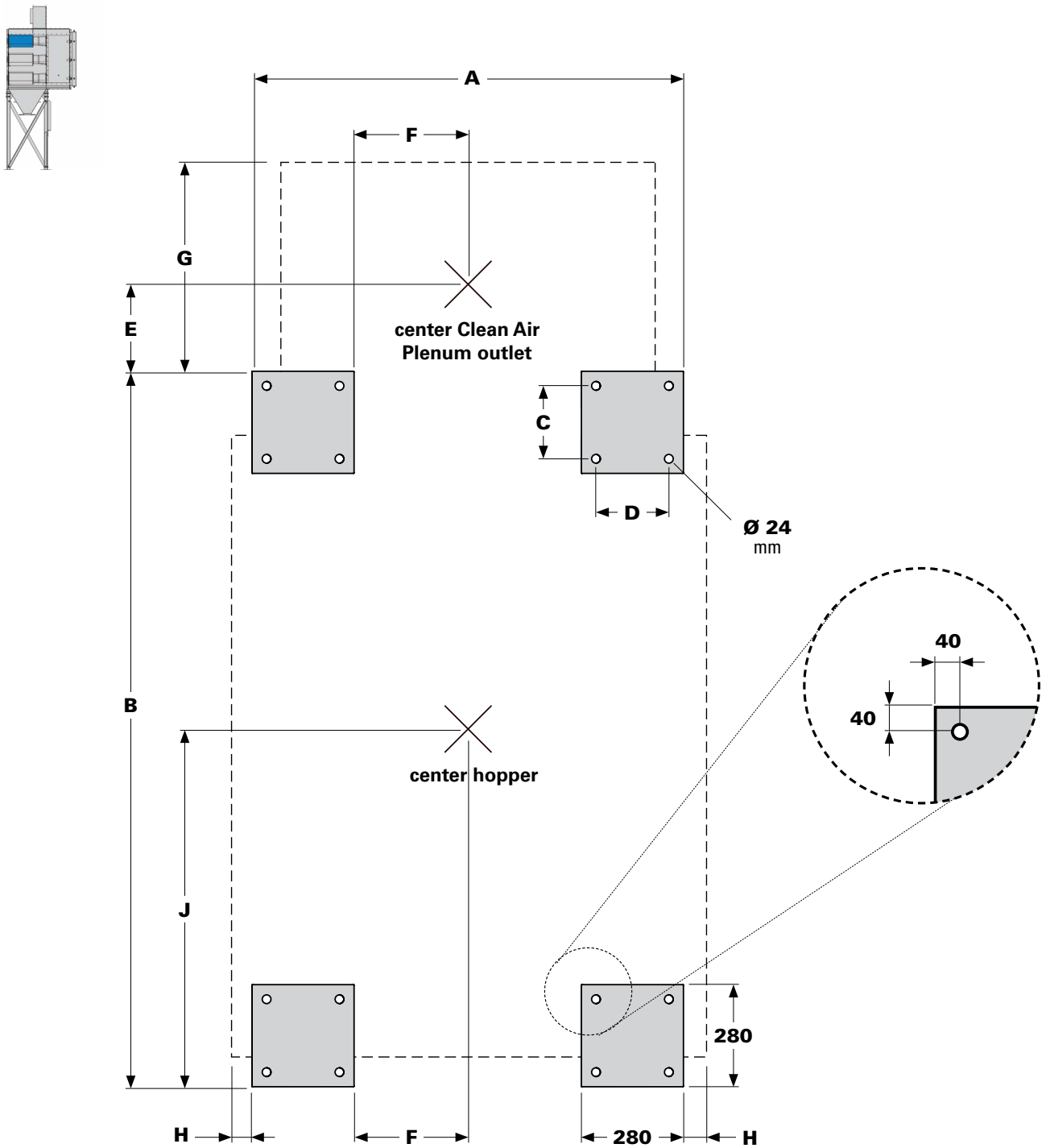
CLEAN AIR PLENUM - OUTLET - 3 WIDE



Optional outlet flanges	Dimensions (mm)
	A
NW355	358
NW400	404
NW450	454

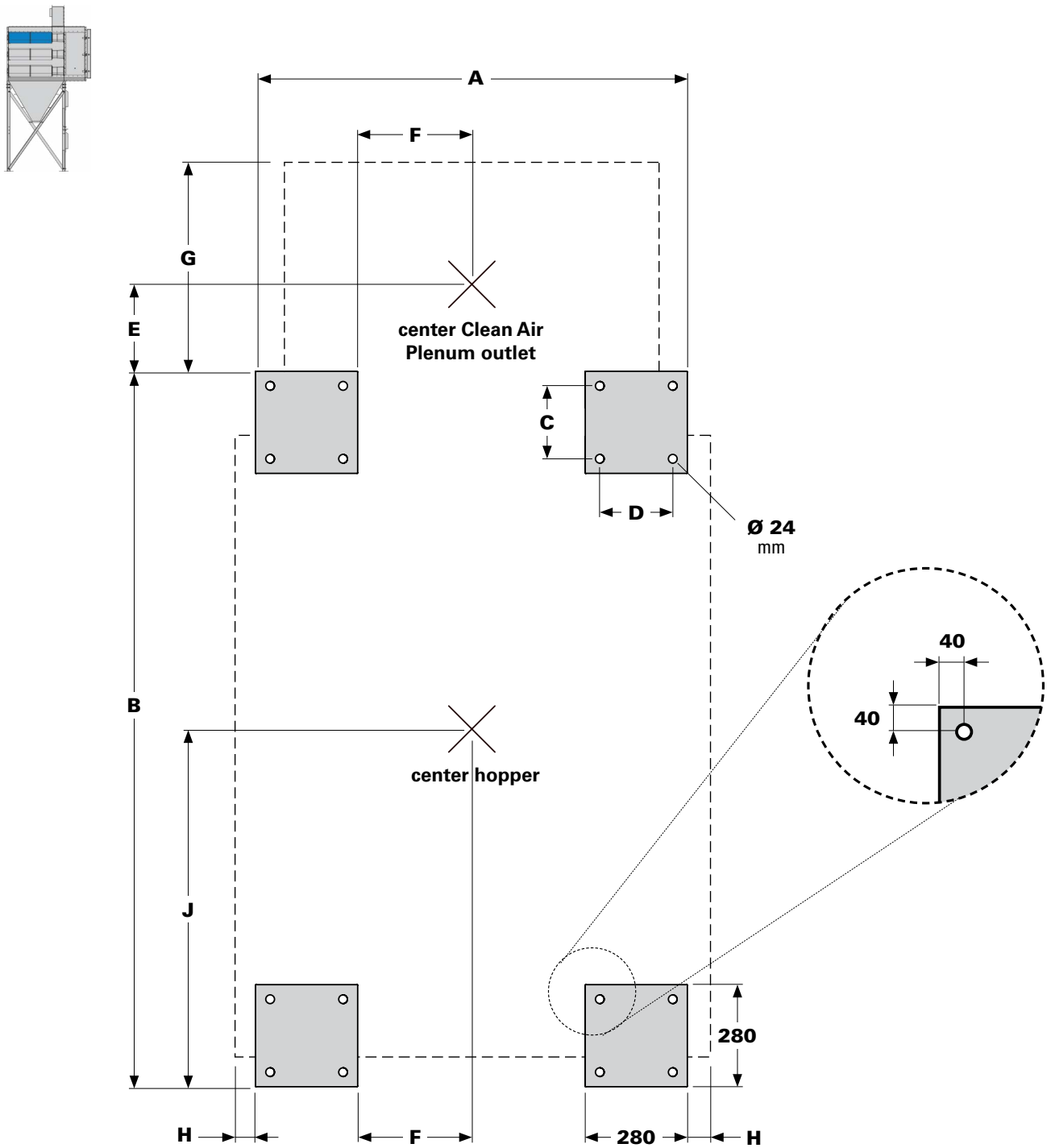


FOUNDATION DETAILS FOR STANDARD MODELS - SINGLE DEEP



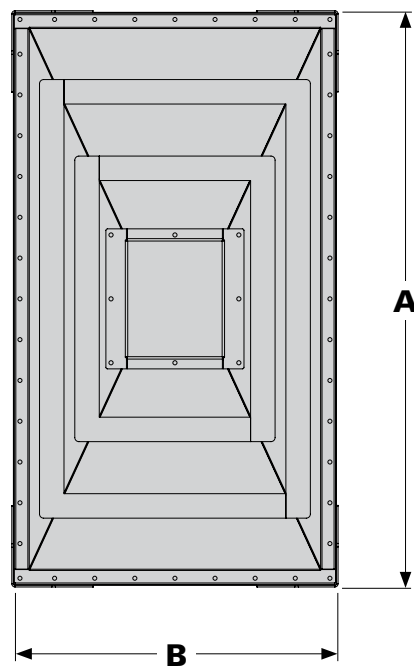
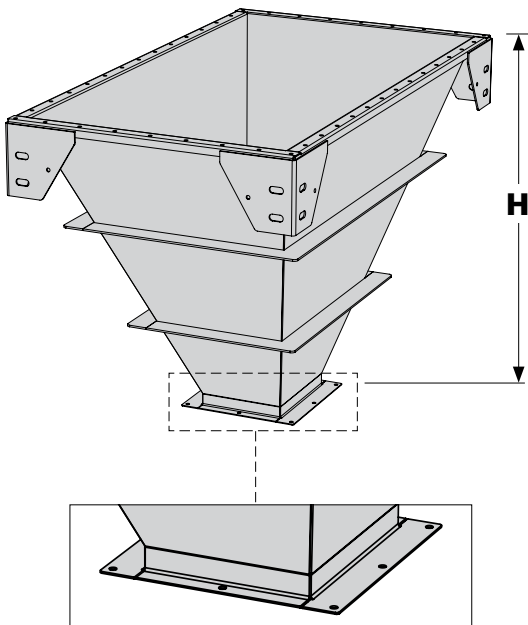
Configuration	Single deep dimensions (in mm)								
	A	B	C	D	E	F	G	H	J
2 wide	1184	1295	200	200	234	319	542	15	652

FOUNDATION DETAILS FOR STANDARD MODELS - DOUBLE DEEP

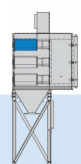


Configuration	Double deep dimensions (in mm)								
	A	B	C	D	E	F	G	H	J
2 wide	1184	1962	200	200	237	312	545	15	981
3 wide	1691	1962	200	200	237	566	545	21	981

HOPPER

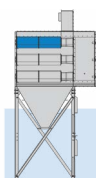


BOTTOM VIEW



Single deep dimensions (mm)

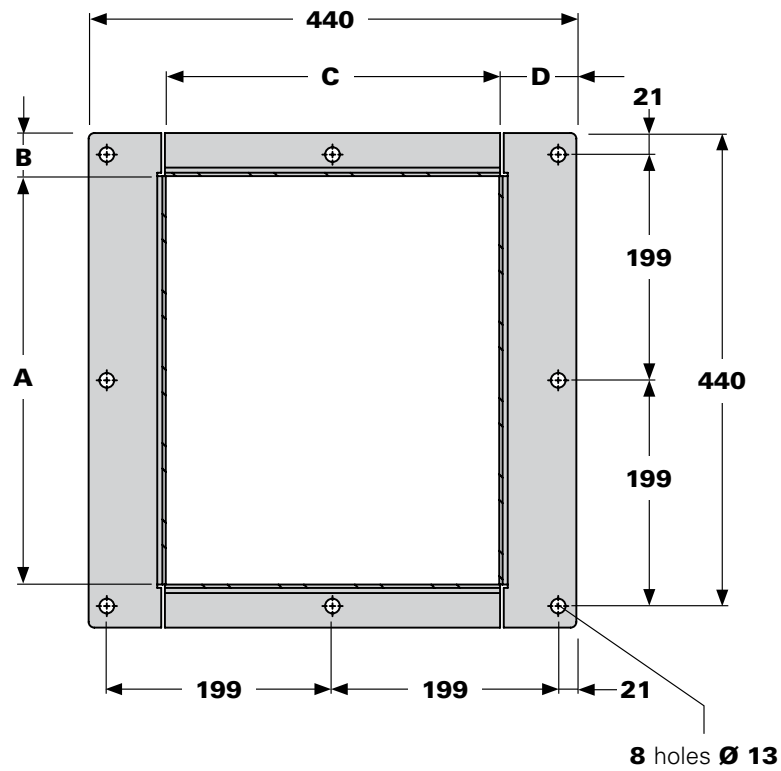
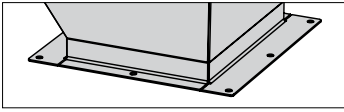
Configuration	A	B	H
2 wide	1073	965	622



Double deep dimensions (mm)

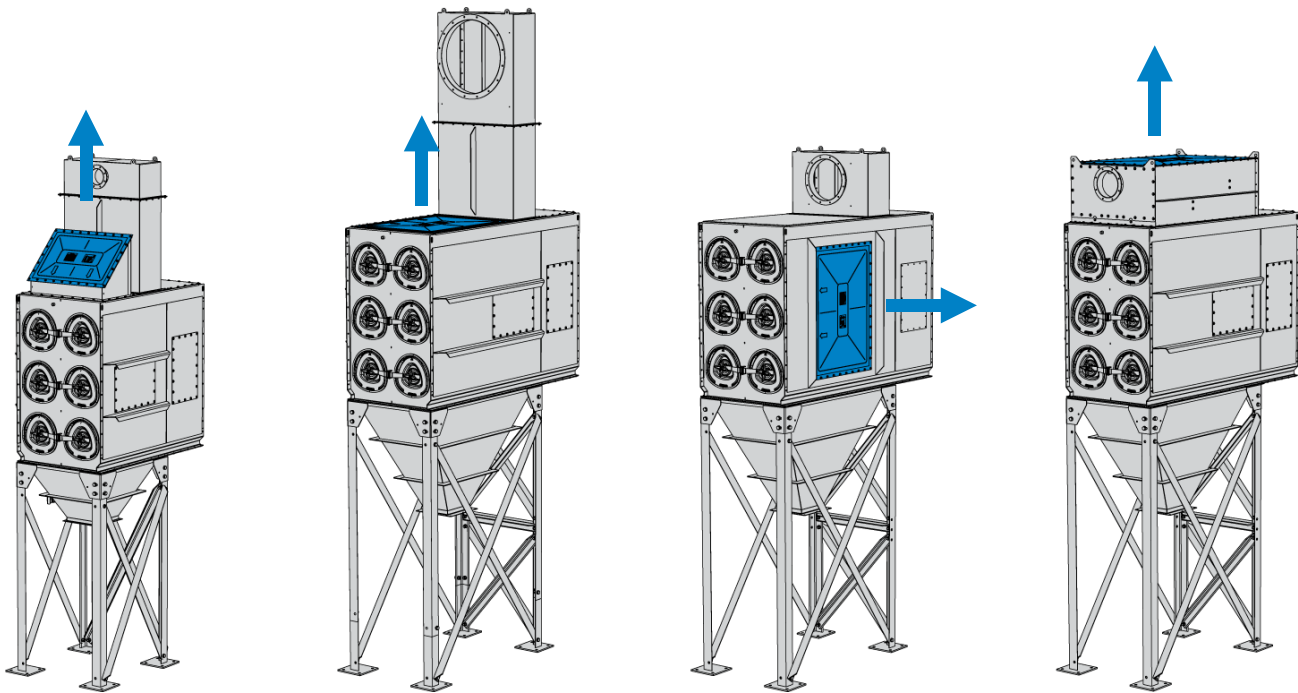
Configuration	A	B	H
2 wide	1739	965	1173
3 wide	1739	1473	1173

HOPPER FLANGE



(mm)	2 wide single deep	2 wide double deep	3 wide double deep
A	360	360	360
B	40	40	40
C	360	296	360
D	40	72	40

DFE VENTED



top vent
single deep

top vent
extension spool

side vent
extension spool

top vent
HIFLO

Configuration	Vent panel	
	small	large
	578 x 851 mm area 0.495 m ²	851 x 1162 mm area 0.985 m ²
DFE 2-4	top / side	-
DFE 2-8	side	top
DFE 2-12	side	top
DFE 3-6	top / side	-
DFE 3-12	-	top / side
DFE 3-18	-	top / side
DFE 4-16	-	top / side
DFE 4-24	-	top / side
DFE 5-20	-	top / side
DFE 5-30	-	top / side

ELECTRICAL REQUIREMENTS

Fully automatic cleaning mechanism: C-Controller
Pulse interval time: 12 s
Control box protection class: IP65
Input voltage: 230 / 115 VAC - 24 VD
Fan: 400 V Δ 50 Hz

PULSE NOISE LEVEL

LpAeq,s: <75 dB(A) (with soundproofing pack)
 (A-weighted equivalent continuous sound pressure)

Measurement according 2006/42/EC at 1 metre distance and 1.6 metres above base level, with 6 bar compressed air pressure and 12 second pulse interval, in semi-free field conditions.

MANIFOLD DESIGN DETAILS

MANIFOLD DESIGN DETAILS

Pressure Strength: 7 bar
Pressure Test: 10,5 bar
Temperature: -20 to 200 °C

Rating of pressure relief device: 25 dm³/s at 7,1 bar (factory set at 7,1 bar)
 (not supplied as standard)

Product of pressure PS and Volumetric capacity V:

2-high	57,70 bar. l
3-high	88,18 bar. l
4-high	118,68 bar. l
5-high	149,18 bar. l

Material used for manifold construction: According to EN13445 with extra Charpy when required

COMPRESSED AIR REQUIREMENTS

Clean air (max. particle size 50 µm)
Free of condensate at working temperature
Max. oil concentration: ISO8573-1 class 3 =< 1 mg/m³
Approximate compressed air usage: see table below

DFE model	Compressed air used (Lit/pulse)	Required Compressed air for 12s pulse interval at 7 bar (Nm ³ /hr)
2 high	54	16
3 high	72	21
4 high	80	24
5 high	85	25

* The indicated value is the consumption per valve



Install safety valve directly in contact with the manifold.



Make sure to use at least 1 inch supply line to avoid large pressure drops in the cleaning system.

STANDARD FEATURES & AVAILABLE OPTIONS

Unit options	Optional
Execution for outside installation	•
Variable hopper clearance	•
Full range of dust disposal systems	•
Earthing	•
Vibrator	•
Sprinkler	•
Oil/water separator	•
Bag in / Bag out	•
Full range of fan sets and ducting	•
Insulation	•

Cartridge options	Standard	Optional
Filter assembly DFE 660mm Ultra-Web®	•	
Filter assembly DFE 660mm Ultra-Web® Anti-Static		•
Filter assembly DFE 660mm Ultra-Web® Earthed		•
Filter assembly DFE 660mm Ultra-Web® Flame Retardant		•
Filter assembly DFE 660mm Ultra-Web® Flame Retardant Earthed		•
Filter assembly DFE 660mm Ultra-Web® on SpunBond		•
Filter assembly DFE 660mm Ultra-Web® on SpunBond Anti-Static		•
Filter assembly DFE 660mm Ultra-Web® on SpunBond Earthed		•
Filter assembly DFE 660mm Ultra-Web® No Liner		•
Filter assembly DFE 660mm Ultra-Web® Flame Retardant No Liner		•
Filter assembly DFE 660mm Ultra-Web® Stainless Steel		•
Filter assembly DFE 660mm Fibra-Web®		•
Filter assembly DFE 660mm Fibra-Web® Earthed		•
Filter assembly DFE 660mm Fibra-Web® Flame Retardant		•
Filter assembly DFE 660mm Thermo-Web®		•
Filter assembly DFE 660mm Thermo-Web® Earthed		•
Filter assembly DFE 660mm Torit-Tex®		•
Filter assembly DFE 660mm Kevlar Nomex (high temp)		•

Africa	Donaldson Europe B.V.B.A. Industrial Filtration Solutions Research Parc Bldg No. 1303 Interleuvenlaan, 1 B-3001 Leuven Belgium IAF-africa@donaldson.com +32 16 38 39 70	Netherlands	Donaldson Nederland B.V. Transistorstraat 44 III NL-1322 CG Almere Nederland IAF-nl@donaldson.com +31 36 548 08 40
Austria	Donaldson Filtration Österreich GmbH Gutheil-Schoder Gasse 8-12 A-1100 Wien Österreich IAFat@donaldson.com +43 16 16 52 91	Norway	Donaldson Filtration Norway AS Postboks 196 N-1501 Moss Norge IAF-no@donaldson.com +47 69 21 53 00
Belgium	Donaldson Europe B.V.B.A. Industrial Filtration Solutions Research Parc Bldg No. 1303 Interleuvenlaan, 1 B-3001 Leuven België IAF-be@donaldson.com +32 16 38 39 70	Poland	Donaldson Polska Sp.zo. o. ul. Sienna 64 PL-00-825 Warszawa Polska IAF-pl@donaldson.com +48 22 517 15 00
Czech Republic	Donaldson Filtration CR - koncern s.r.o. Konevova 139 CZ-130 83 Praha 3 Ceská republika IAF-cz@donaldson.com +420 2 67 108 242	Russia	Predstavitelstvo AOOO Donaldson Nederland B.V. Centr Meždunarodnoj Torgovli Ofis 1004V, Krasnopresnenskaja nab.12 123610 Moskva Russia IAF-ru@donaldson.com +7 499 136 00 13
Denmark	Donaldson Scandinavia ApS Lyngsø Allé 3A DK - 2970 Hørsholm Danmark IAF-dk@donaldson.com +45 45 57 00 77	Slovakia	Donaldson Filtration Slovensko s.r.o. Púchovská 8 SK-83106 Bratislava 35 Slovensko IAF-sk@donaldson.com +421 2 44872619
Finland	Donaldson Scandinavia ApS Lyngsø Allé 3A DK - 2970 Hørsholm Danmark IAF-fi@donaldson.com +45 45 57 00 77	Spain	Donaldson Ibérica, Soluciones en Filtración, S.L. Colom, 391 - 3ªA E-08223 Terrassa España IAF-es@donaldson.com +34 93 784 38 34
France	Donaldson France s.a.s. 33 Rue des Vanesses Zac Paris Nord II B.P. 51292 Villepinte F-95958 Roissy Charles de Gaulle Cedex France IAF-fr@donaldson.com +33 1 49 38 99 30	Sweden	Donaldson Scandinavia Industrigatan 68 S-261 35 Landskrona Sverige IAF-se@donaldson.com +46 418 457 550
Germany	Industrial Filtration Solutions Industriestraße 11 D-48249 Dülmen Deutschland IAF-de@donaldson.com +49 2594 781-41	Switzerland	Donaldson Schweiz GmbH Bruggacherstrasse 18 CH-8117 Fällanden Schweiz IAF-ch@donaldson.com +41 (0)44 302 07 15
Hungary	Donaldson Filtration Magyarország Kft. Záhony u. 7. H-1031 Budapest Magyarország IAF-hu@donaldson.com +36 1 453 28 65/66	Turkey	Donaldson Filtre Sist. Tic. Ltd. Sti. Barbaros Mahallesi Palladium Tower No:2 Kat:10 34746 Ataşehir / Istanbul Türkiye IAF-tr@donaldson.com +90 216 687 03 26
Ireland	Donaldson Filtration (GB) Ltd. Suite 31, The Hyde Building The Park Carrickmines, Dublin 18 Ireland IAF-ie@donaldson.com +353 1 525 22 49	United Kingdom	Donaldson Filtration (GB) Ltd. Humberstone Lane Thurmaston Leicester LE4 8HP United Kingdom IAF-uk@donaldson.com +44 116 269 6161
Italy	Donaldson Italia S.r.l. Via Cesare Pavese, 5/7 20090 Opera (Milan) Italia IAF-it@donaldson.com +39 0 25 30 05 21	Other countries	Donaldson Filtration (GB) Ltd. Humberstone Lane Thurmaston Leicester LE4 8HP United Kingdom IAF-export@donaldson.com +44 116 269 6161
Middle East	Donaldson Europe B.V.B.A. Office 1905 Jebel Ali Free Zone Dubai United Arab Emirates IAF-middle-east@donaldson.com +971 4 885 5311		

Order online



shop.Donaldson.com