

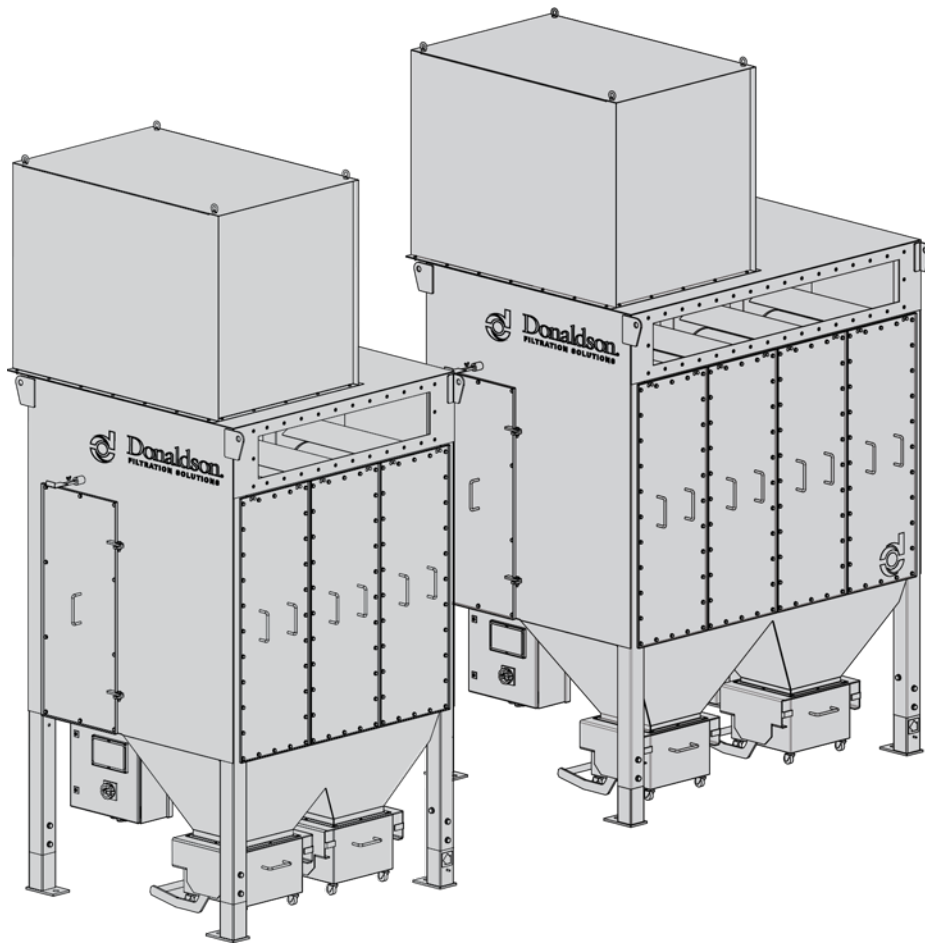


Donaldson
FILTRATION SOLUTIONS

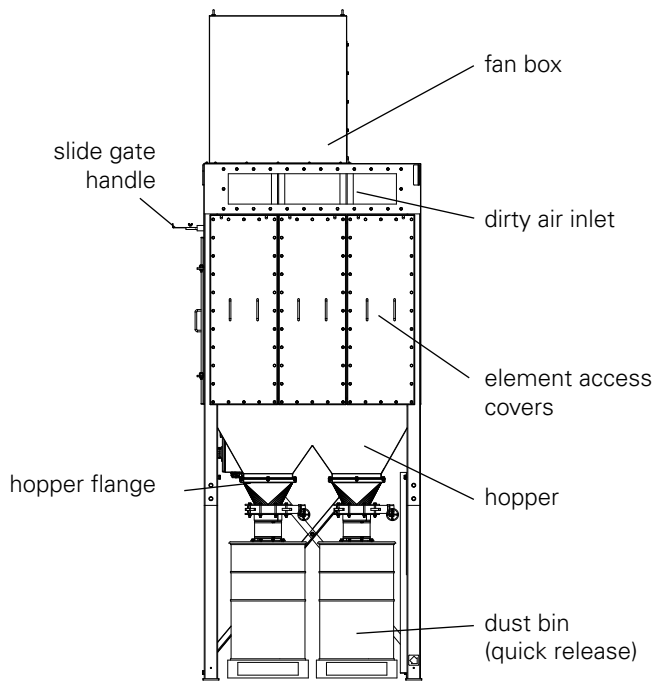
TECHNICAL DATASHEET

DFPRE Dust Collectors

Series DFPRE 9L - 12L

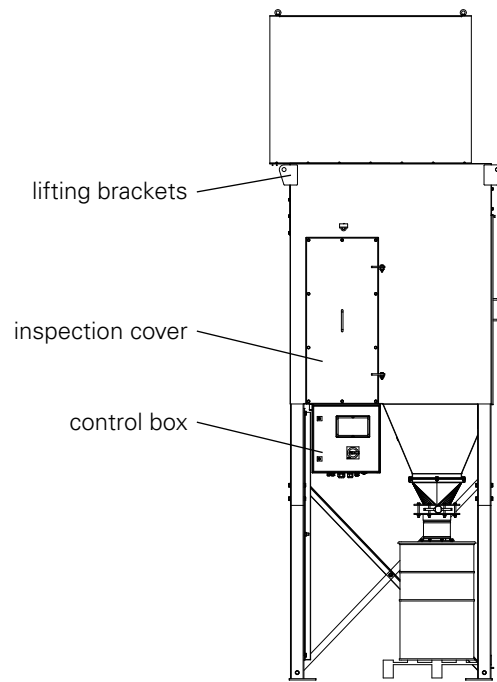


DESIGN SPECIFICATIONS



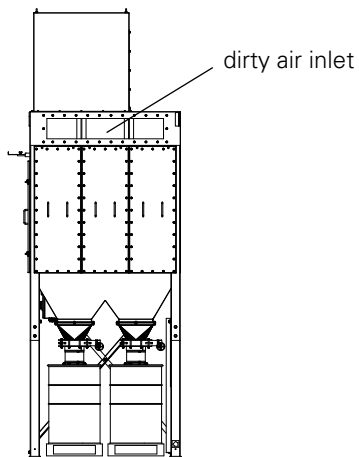
FRONT VIEW

9L shown with
200 L drum



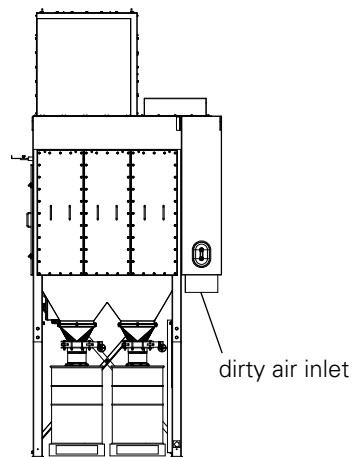
SIDE VIEW

9L shown with
200 L drum



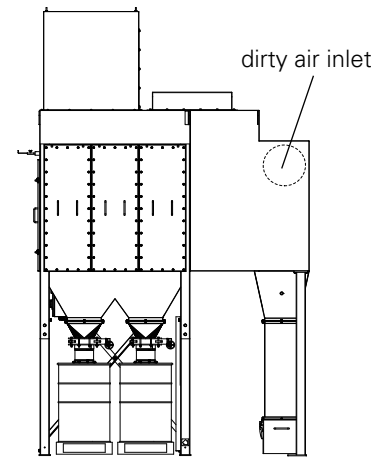
STANDARD

9L shown with
200 L drum



SPARKTRAP

9L shown with
200 L drum



CYCLOPEEL

9L shown with
200 L drum

DESIGN LIMITS

Operating temperature: -10° to +40°C

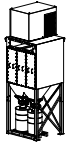
Maximum operating pressure: -5 kPa (500 mm WG)*

Wind load rating: 160 km/h

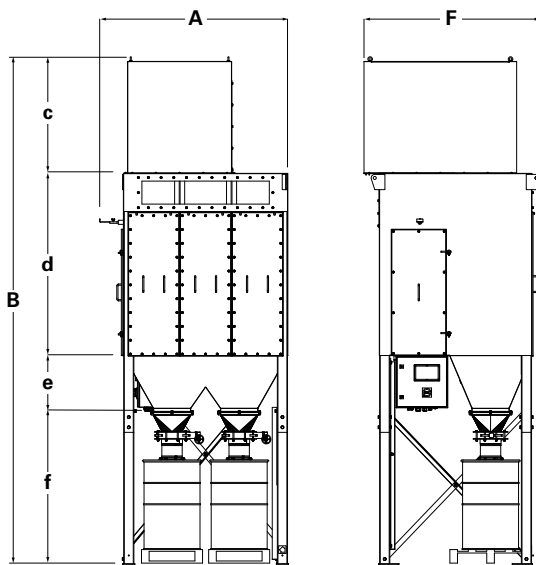
Finishing: Acrylated alkyd paint colour RAL 5019 (blue) - semi gloss

* for use in positive pressure contact engineering

DIMENSIONS & SPECIFICATIONS 9L STANDARD

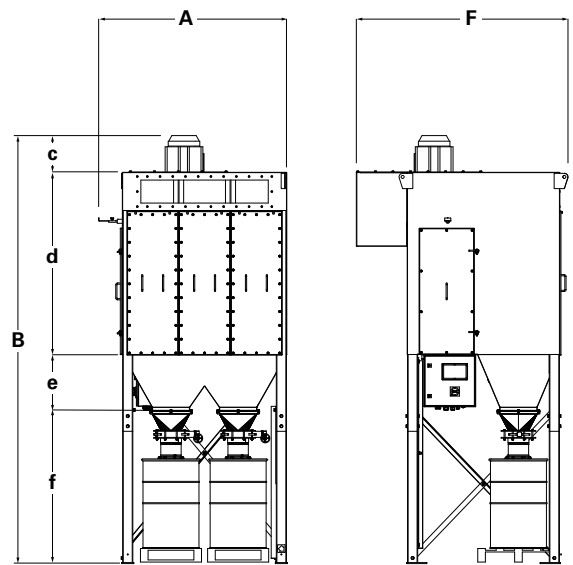


DFPRE 9L STANDARD



ROOF MOUNTED FAN

shown with 200 L drum



PARTIALLY INTEGRATED FAN

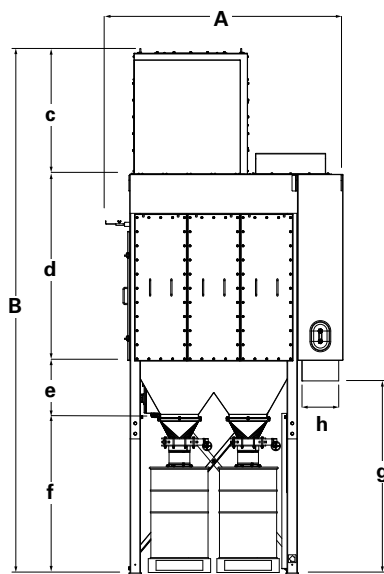
shown with 200 L drum

Model	No. of cartridges	No. of valves	Fan	Dust disposal system	Dimensions (mm)						
					A	B	c	d	e	f	F
DFPRE 9L	9	9	Roof mounted	200 L drum	1789	4991	1146	1790	555	1500	1730
				85 L drum	1789	4556	1146	1790	555	1065	1730
				hook-on dustbin	1789	4056	1146	1790	555	565	1730
				quick release	1789	3891	1146	1790	555	400	1730
			Partially integrated	200 L drum	1789	4206	361	1790	555	1500	2079
				85 L drum	1789	3771	361	1790	555	1065	2079
				hook-on dustbin	1789	3271	361	1790	555	565	2079
				quick release	1789	3106	361	1790	555	400	2079

DIMENSIONS & SPECIFICATIONS 9L SPARKTRAP

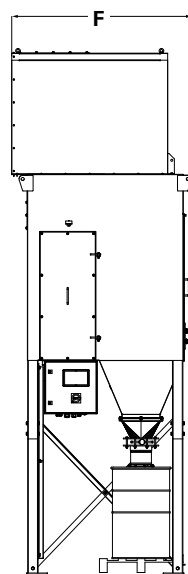


DFPRE 9L SPARKTRAP



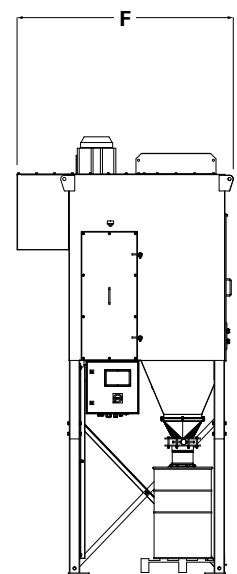
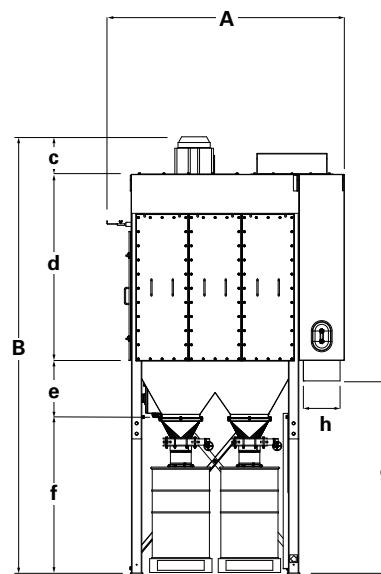
ROOF MOUNTED FAN

shown with 200 L drum



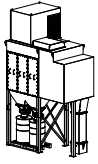
PARTIALLY INTEGRATED FAN

shown with 200 L drum

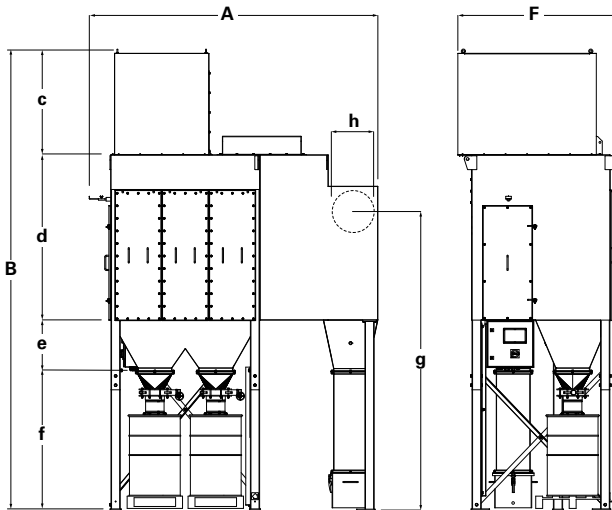


Model	No. of cartridges	No. of valves	Fan	Dust disposal system	Dimensions (mm)								
					A	B	c	d	e	f	g	h	F
DFPRE 9L Sparktrap	9	9	Roof mounted	200 L drum	2227	4991	1146	1790	555	1500	1858	353	1730
				85 L drum	2227	4556	1146	1790	555	1065	1423	353	1730
				hook-on dustbin	2227	4056	1146	1790	555	565	923	353	1730
				quick release	2227	3891	1146	1790	555	400	758	353	1730
			Partially integrated	200 L drum	2227	4206	361	1790	555	1500	1858	353	2079
				85 L drum	2227	3771	361	1790	555	1065	1423	353	2079
				hook-on dustbin	2227	3271	361	1790	555	565	923	353	2079
				quick release	2227	3106	361	1790	555	400	758	353	2079

DIMENSIONS & SPECIFICATIONS 9L CYCLOPEEL

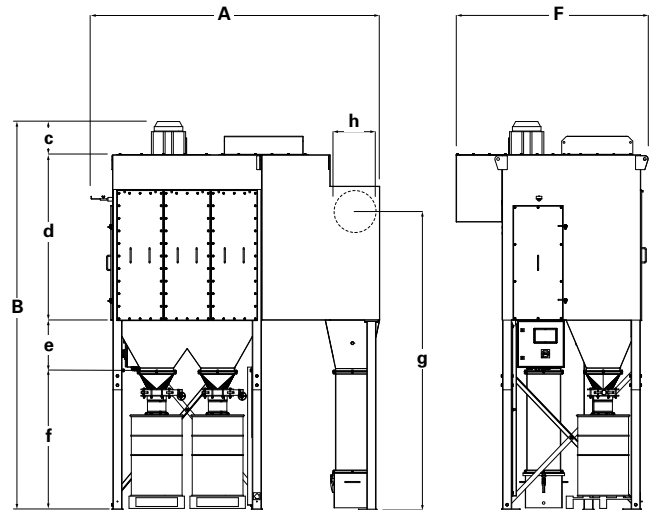


DFPRE 9L CYCLOPEEL



ROOF MOUNTED FAN

shown with 200 L drum



PARTIALLY INTEGRATED FAN

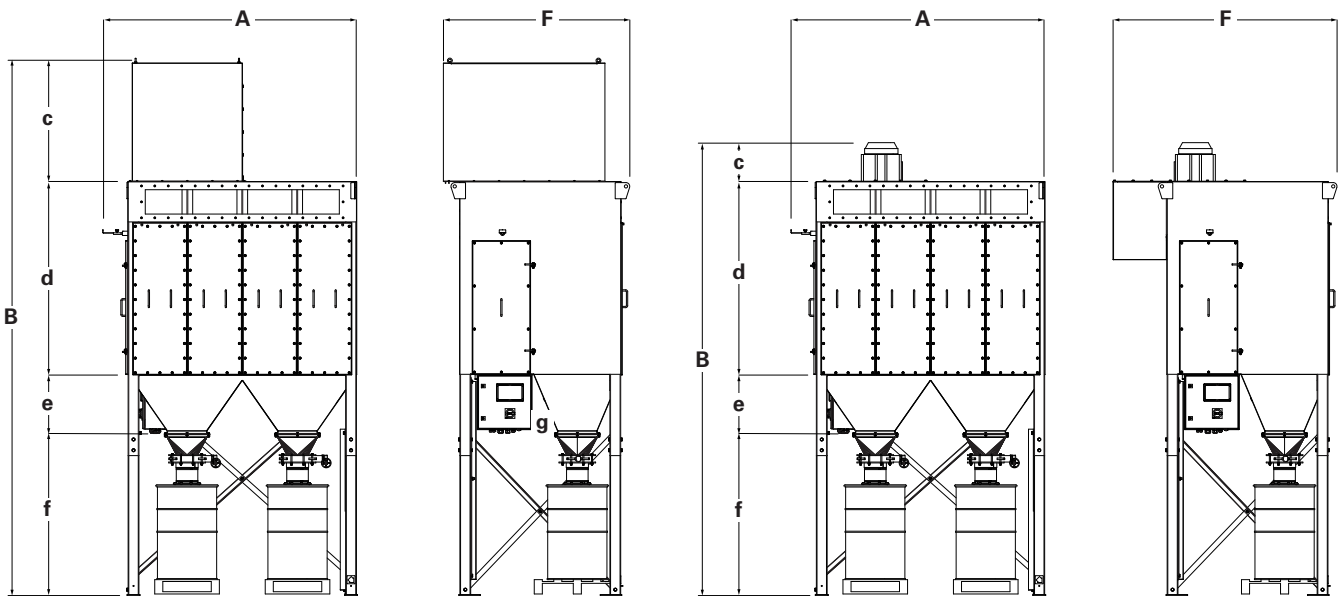
shown with 200 L drum

Model	No. of cartridges	No. of valves	Fan	Dust disposal system	Dimensions (mm)								
					A	B	c	d	e	f	g	h	F
DFPRE 9L Cyclopeel	9	9	Roof mounted	200 L drum	3067	4991	1146	1790	555	1500	3237	NW450	1730
				85 L drum	3067	4556	1146	1790	555	1065	2799	NW450	1730
				hook-on dustbin	3067	4056	1146	1790	555	565	2299	NW450	1730
				quick release	3067	3891	1146	1790	555	400	2134	NW450	1730
			Partially integrated	200 L drum	3067	4206	361	1790	555	1500	3237	NW450	2079
				85 L drum	3067	3771	361	1790	555	1065	2799	NW450	2079
				hook-on dustbin	3067	3271	361	1790	555	565	2299	NW450	2079
				quick release	3067	3106	361	1790	555	400	2134	NW450	2079

DIMENSIONS & SPECIFICATIONS 12L STANDARD



DFPRE 12L STANDARD



ROOF MOUNTED FAN

shown with 200 L drum

PARTIALLY INTEGRATED FAN

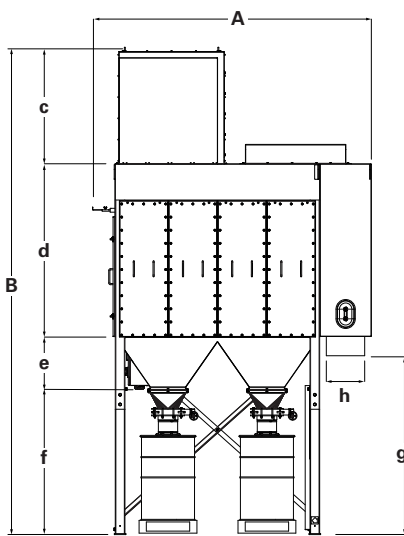
shown with 200 L drum

Model	No. of cartridges	No. of valves	Fan	Dust disposal system	Dimensions (mm)						
					A	B	c	d	e	f	F
DFPRE 12L	12	12	Roof mounted	200 L drum	2299	4991	1146	1790	555	1500	1730
				85 L drum	2299	4556	1146	1790	555	1065	1730
				hook-on dustbin	2299	4056	1146	1790	555	565	1730
				quick release	2299	3891	1146	1790	555	400	1730
			Partially integrated	200 L drum	2299	4206	361	1790	555	1500	2079
				85 L drum	2299	3771	361	1790	555	1065	2079
				hook-on dustbin	2299	3271	361	1790	555	565	2079
				quick release	2299	3106	361	1790	555	400	2079

DIMENSIONS & SPECIFICATIONS 12L SPARKTRAP

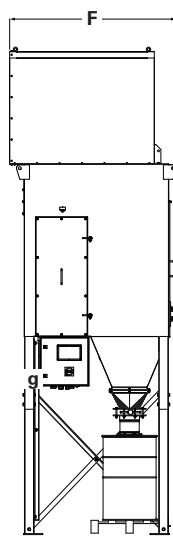


DFPRE 12L SPARKTRAP



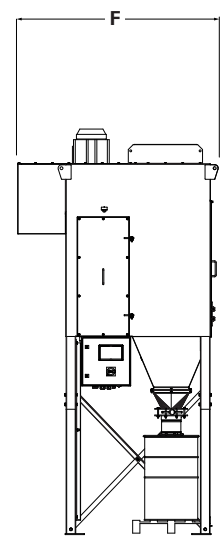
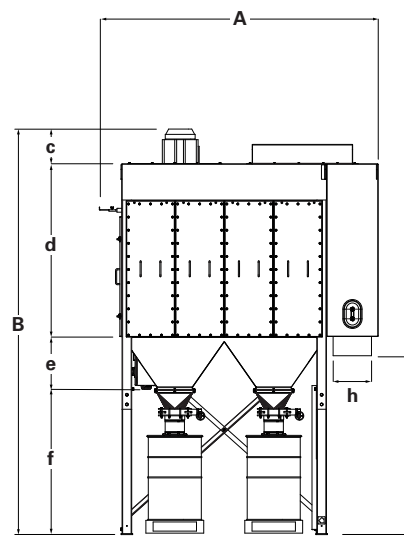
ROOF MOUNTED FAN

shown with 200 L drum



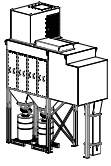
PARTIALLY INTEGRATED FAN

shown with 200 L drum

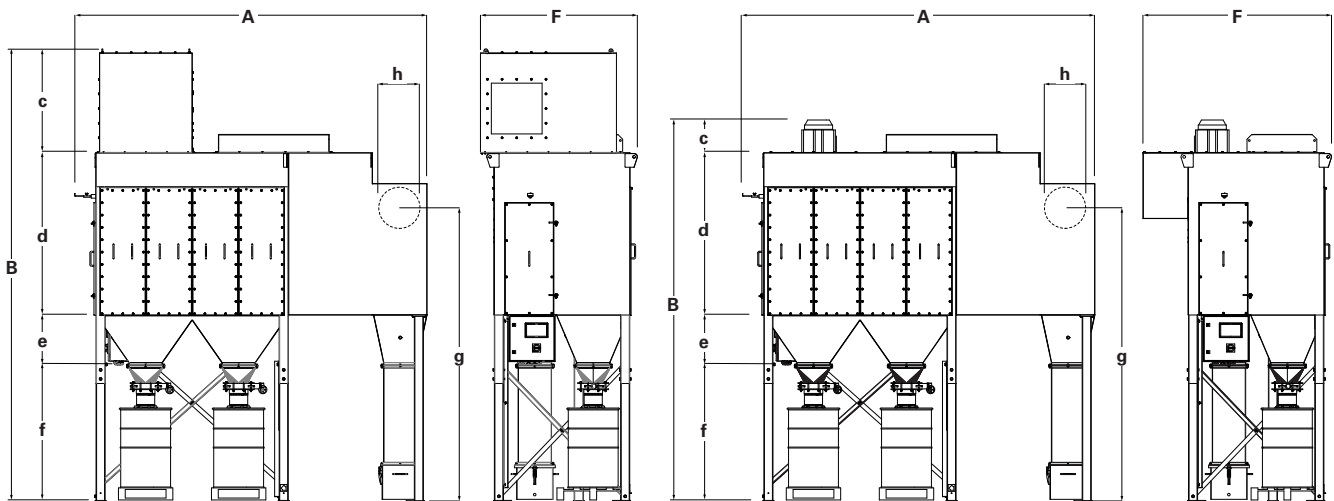


Model	No. of cartridges	No. of valves	Fan	Dust disposal system	Dimensions (mm)								
					A	B	c	d	e	f	g	h	F
DFPRE 12L Sparktrap	12	12	Roof mounted	200 L drum	2832	4991	1146	1790	555	1500	1858	353	1730
				85 L drum	2832	4556	1146	1790	555	1065	1423	353	1730
				hook-on dustbin	2832	4056	1146	1790	555	565	923	353	1730
				quick release	2832	3891	1146	1790	555	400	758	353	1730
			Partially integrated	200 L drum	2832	4206	361	1790	555	1500	1858	353	2079
				85 L drum	2832	3771	361	1790	555	1065	1423	353	2079
				hook-on dustbin	2832	3271	361	1790	555	565	923	353	2079
				quick release	2832	3106	361	1790	555	400	758	353	2079

DIMENSIONS & SPECIFICATIONS 12L CYCLOPEEL



DFPRE 12L CYCLOPEEL



ROOF MOUNTED FAN

shown with 200 L drum

PARTIALLY INTEGRATED FAN

shown with 200 L drum

Model	No. of cartridges	No. of valves	Fan	Dust disposal system	Dimensions (mm)								
					A	B	c	d	e	f	g	h	F
DFPRE 12L Cyclopeel	12	12	Roof mounted	200 L drum	3827	4991	1146	1790	555	1500	3171	NW560	1730
				85 L drum	3827	4556	1146	1790	555	1065	2736	NW560	1730
				hook-on dustbin	3827	4056	1146	1790	555	565	2236	NW560	1730
				quick release	3827	3891	1146	1790	555	400	2071	NW560	1730
			Partially integrated	200 L drum	3827	4206	361	1790	555	1500	3171	NW560	2079
				85 L drum	3827	3771	361	1790	555	1065	2736	NW560	2079
				hook-on dustbin	3827	3271	361	1790	555	565	2236	NW560	2079
				quick release	3827	3106	361	1790	555	400	2071	NW560	2079

COLLECTOR WEIGHTS

Model	Type	Weight (in kg)
DFPRE 9L	Standard	1375
	Sparktrap	1621
	Cyclopeel	1833
DFPRE 12L	Standard	1582
	Sparktrap	1860
	Cyclopeel	2095

Weights include filter cartridges and are for collectors prior to first use, i.e. with no dust collected.

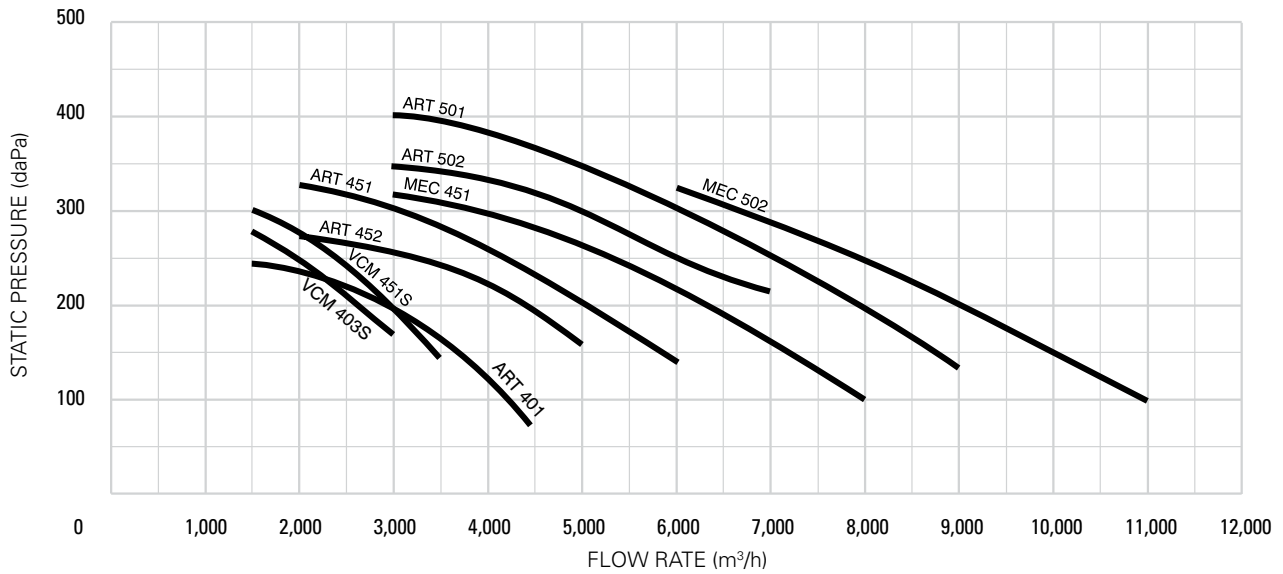
Excludes shipped loose items like fan set, fan box, legs and dust disposal system.

FAN SETS

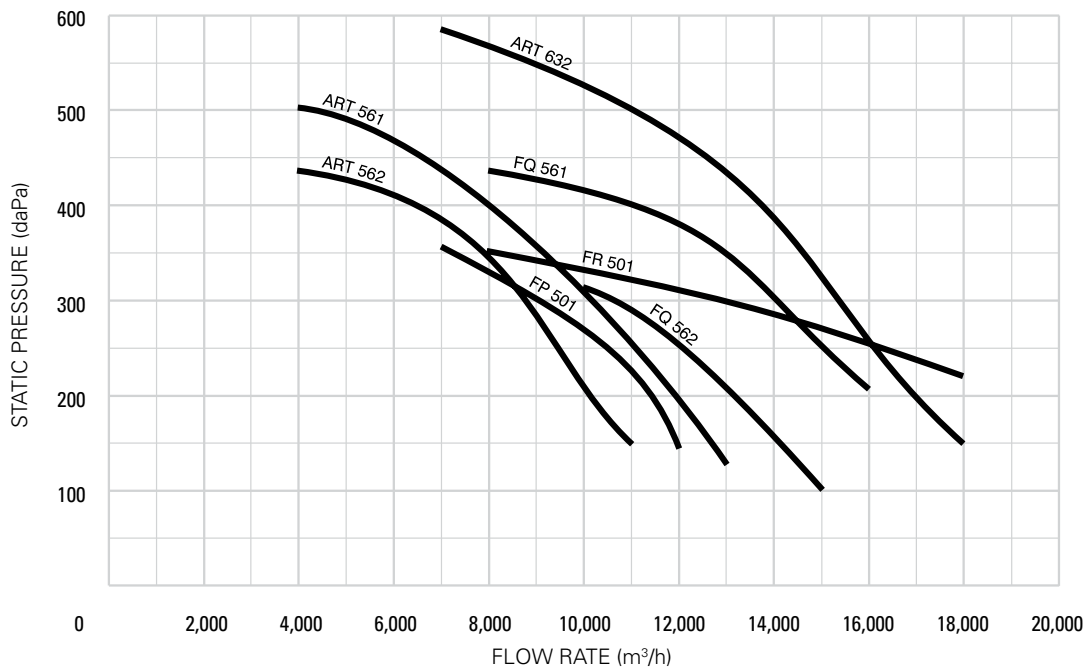
Fan type	Power (in kW)	Frequency	Weight (in kg)
VCM 403S	2.2	50	41
VCM 451S	3	50	70
ART 452	4	50	98
ART 451	5.5	60	110
MEC 451	7.5	60	159
ART 502	7.5	60	151
ART 501	11	50	208
MEC 502	11	60	239

Fan type	Power (in kW)	Frequency	Weight (in kg)
ART 562	11	50	230
FP 501	11	50	251
ART 561	15	50	250
FQ 562	15	50	310
FQ 561	18.5	50	304
FR 501	18.5	50	207
ART 632	22	50	346

FAN PERFORMANCE CURVES



FAN PERFORMANCE CURVES (2.2 to 11 kW)



FAN PERFORMANCE CURVES (11 TO 22 KW)

FAN SELECTION

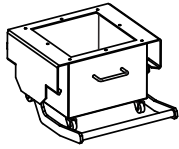
These curves indicate static pressure available at fan inlet for a given application, when fitted into a collector.

To select the most suitable fan for a given application:

- 1 Determine the air volume, in m³/h, needed to entrain the dust.
- 2 Estimate pressure drop through connected system – i.e. between point of entrainment and collector inlet.
- 3 Assess pressure drop over dust collector, prior to replacing filter cartridges, usually 100 daPa.
- 4 The sum of **2** and **3** = static pressure at inlet.
- 5 Consult graph for fan performance available.

DUST DISPOSAL OPTIONS

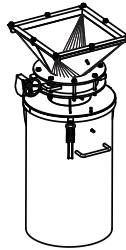
QUICK RELEASE DUST BIN



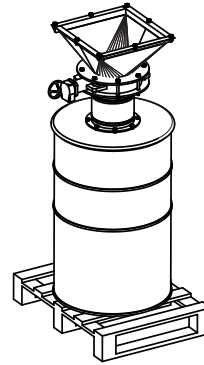
HOOK ON DUST BIN



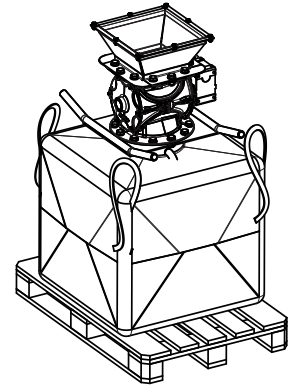
85 L DRUM



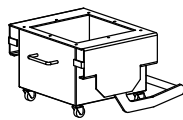
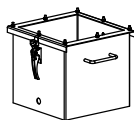
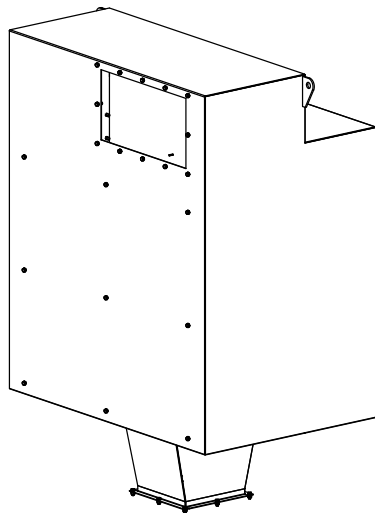
200 L DRUM



BIG BAG



Dust disposal options	Hopper clearance (in mm)	Approx. weight (in kg)
quick release dust bin	400	40
hook-on dust bin	400	22
85 L drum	1065	15
200 L drum	1500	40
Big-bag (excluding bag and rotary airlock)	1800	18

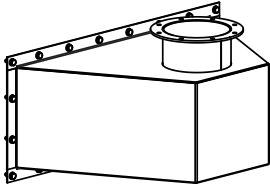


HOOK ON DUST BIN

QUICK RELEASE DUST BIN

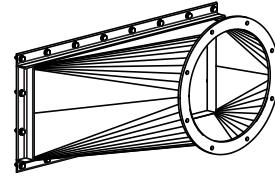
Dust disposal options Cyclopeel	Hopper clearance (in mm)
quick release dust bin	400
hook-on dust bin	400
hook-on dust bin with caster	565

INLET OPTIONS - AVAILABLE SIZES



Abrasive resistant inlet box

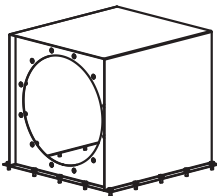
NW315
 NW400
 NW450
 NW500
 NW630
 NW710



Front inlet transition piece

NW450
 NW500
 NW630
 NW710

OUTLET OPTIONS



Outletbox NW500

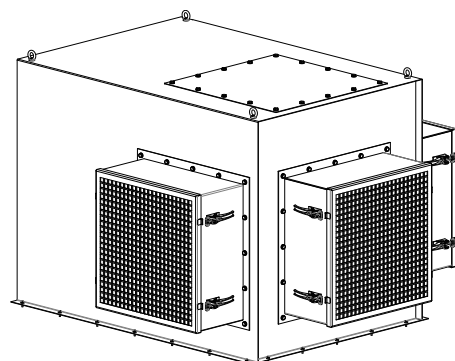


Outletbox deflector

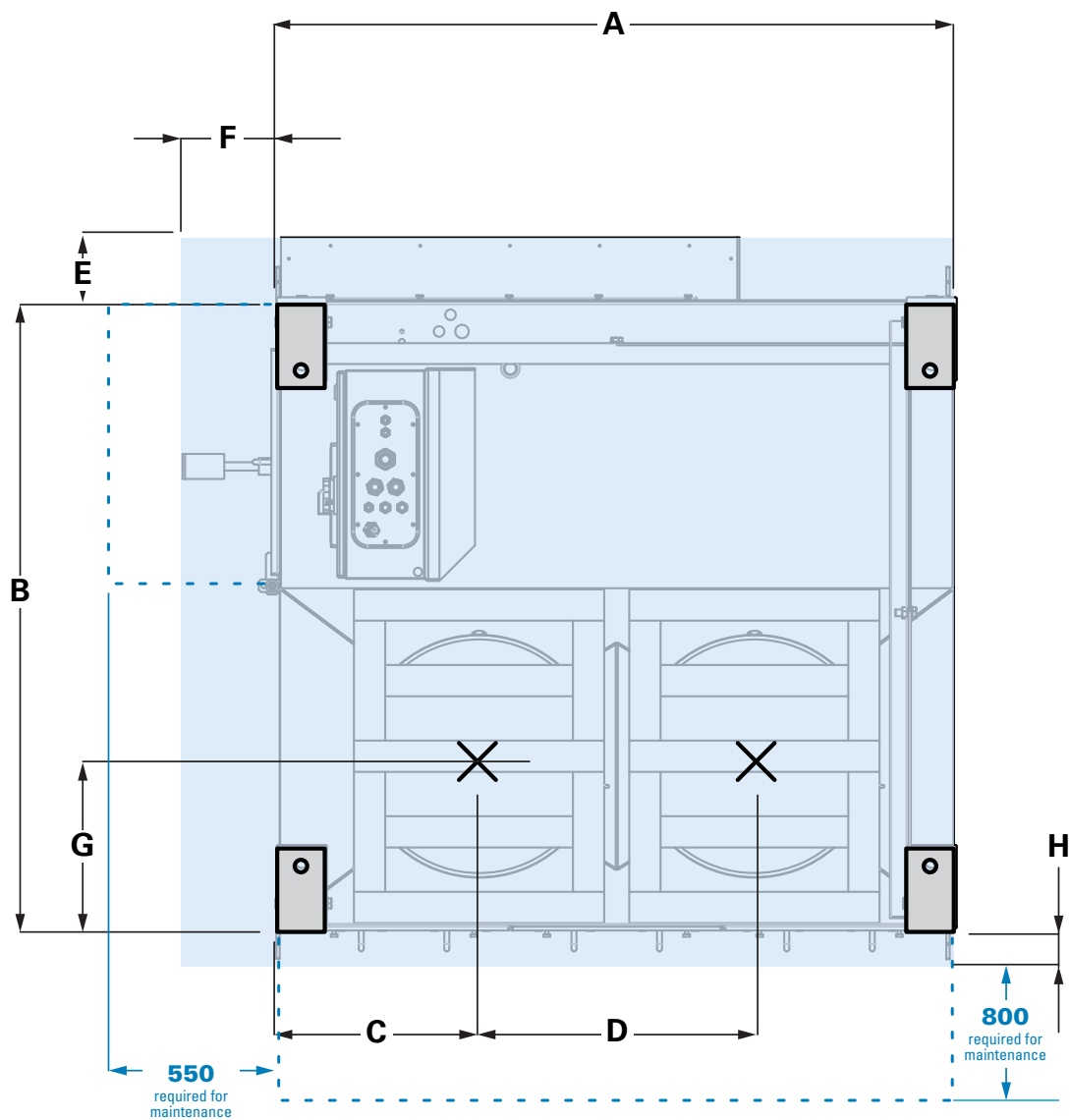
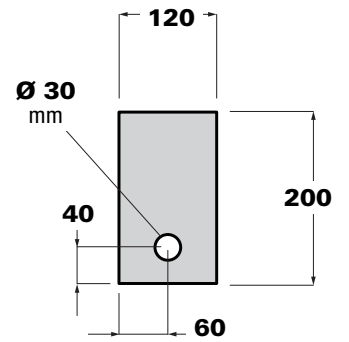
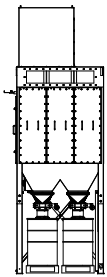
HEPA OPTION

Roof mounted fanbox with HEPA

up to 4 HEPA filters, each capable to handle 4000 CMH

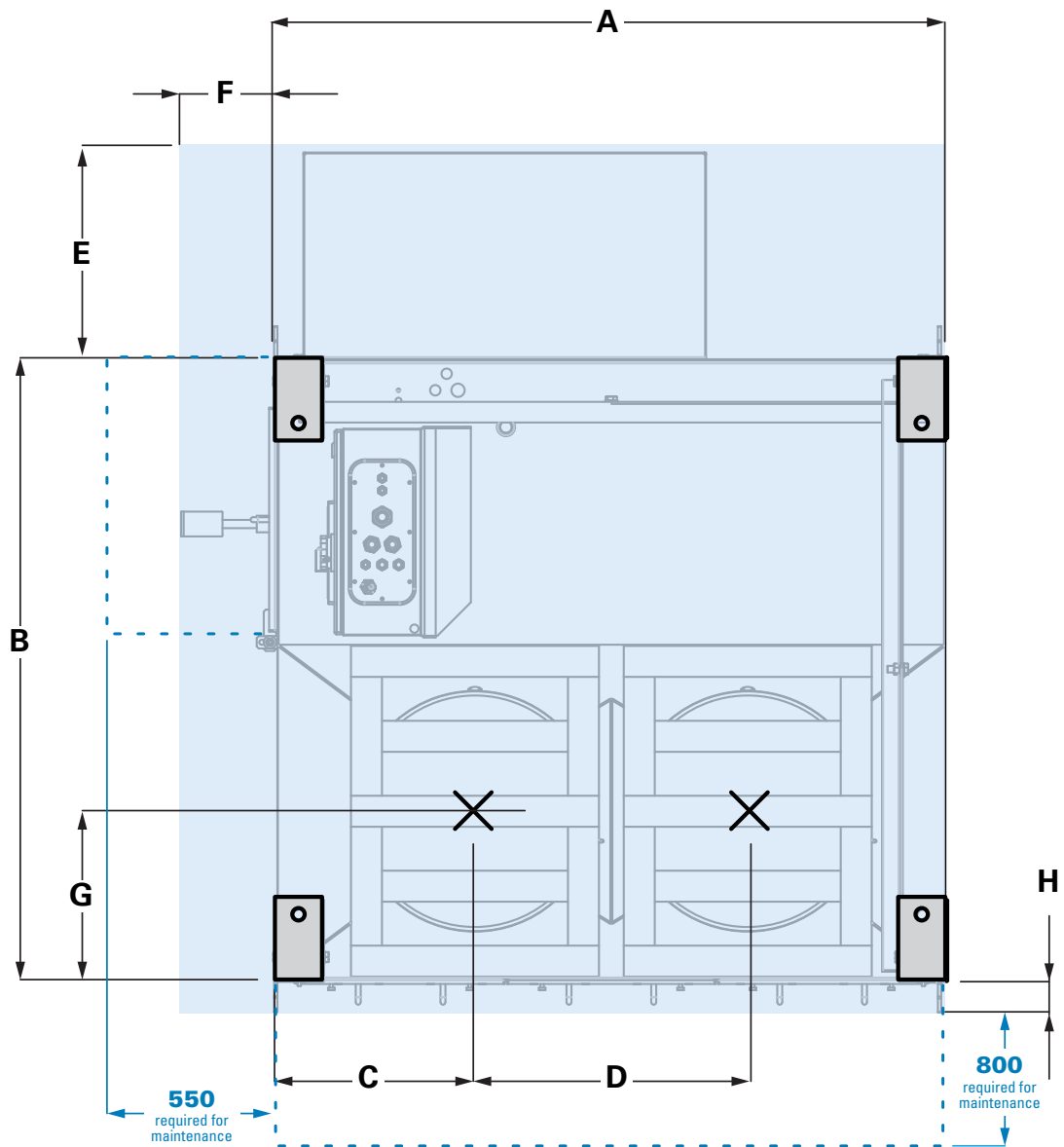
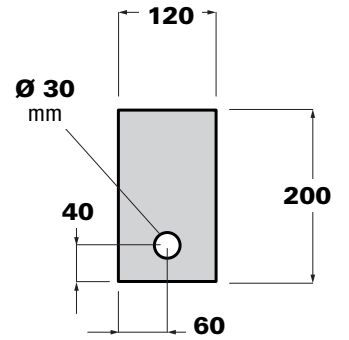
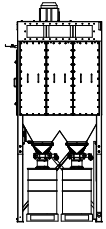


FOUNDATION DETAILS - 9L - STANDARD - ROOF MOUNTED FAN



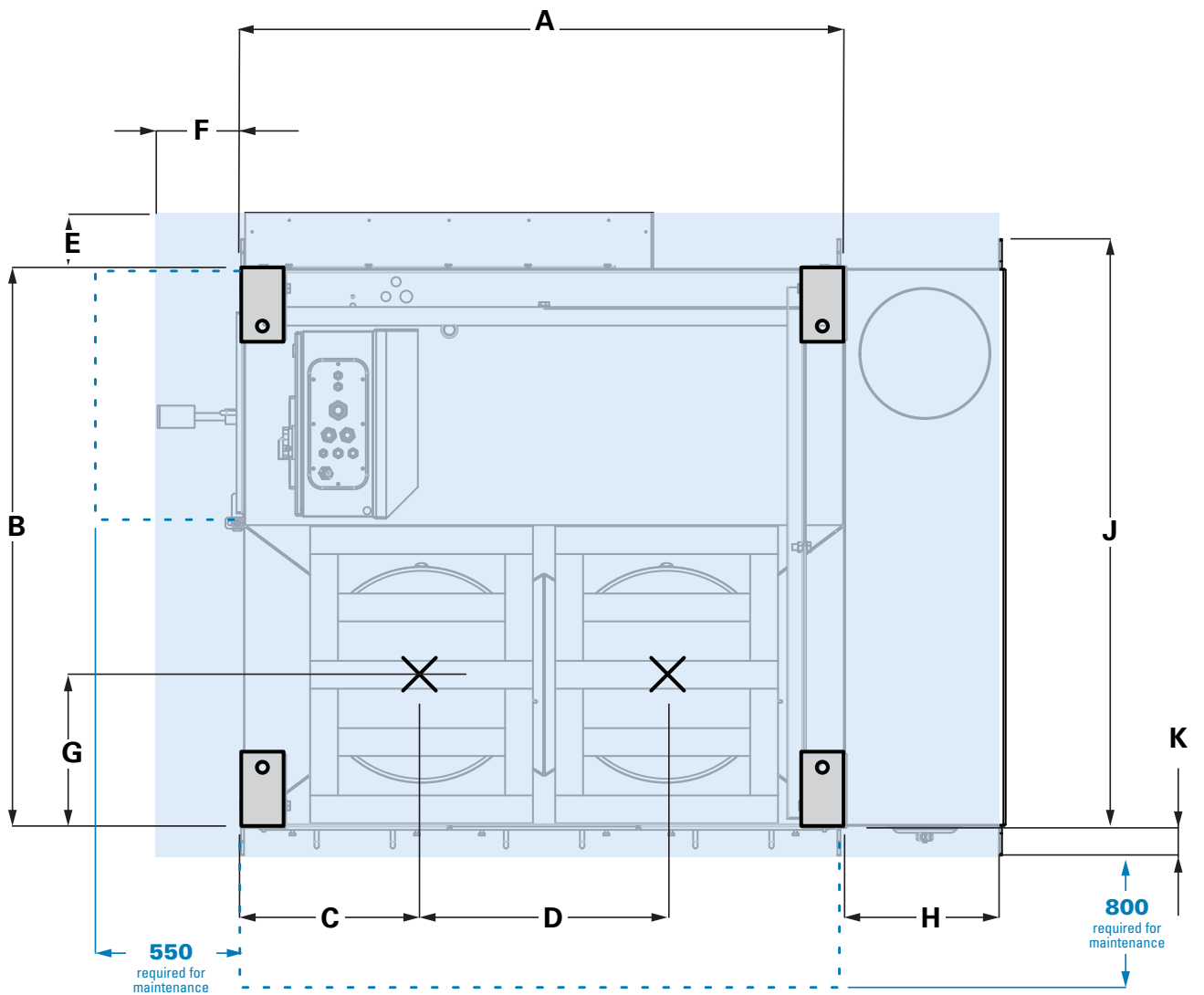
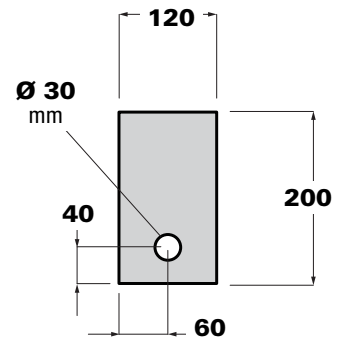
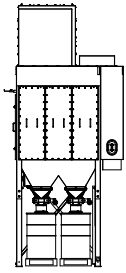
9L - Standard - Roof mounted fan dimensions (in mm)							
A	B	C	D	E	F	G	H
1360	1513	485	666	143.5	166	413	73

FOUNDATION DETAILS - 9L - STANDARD - PARTIALLY INTEGRATED FAN



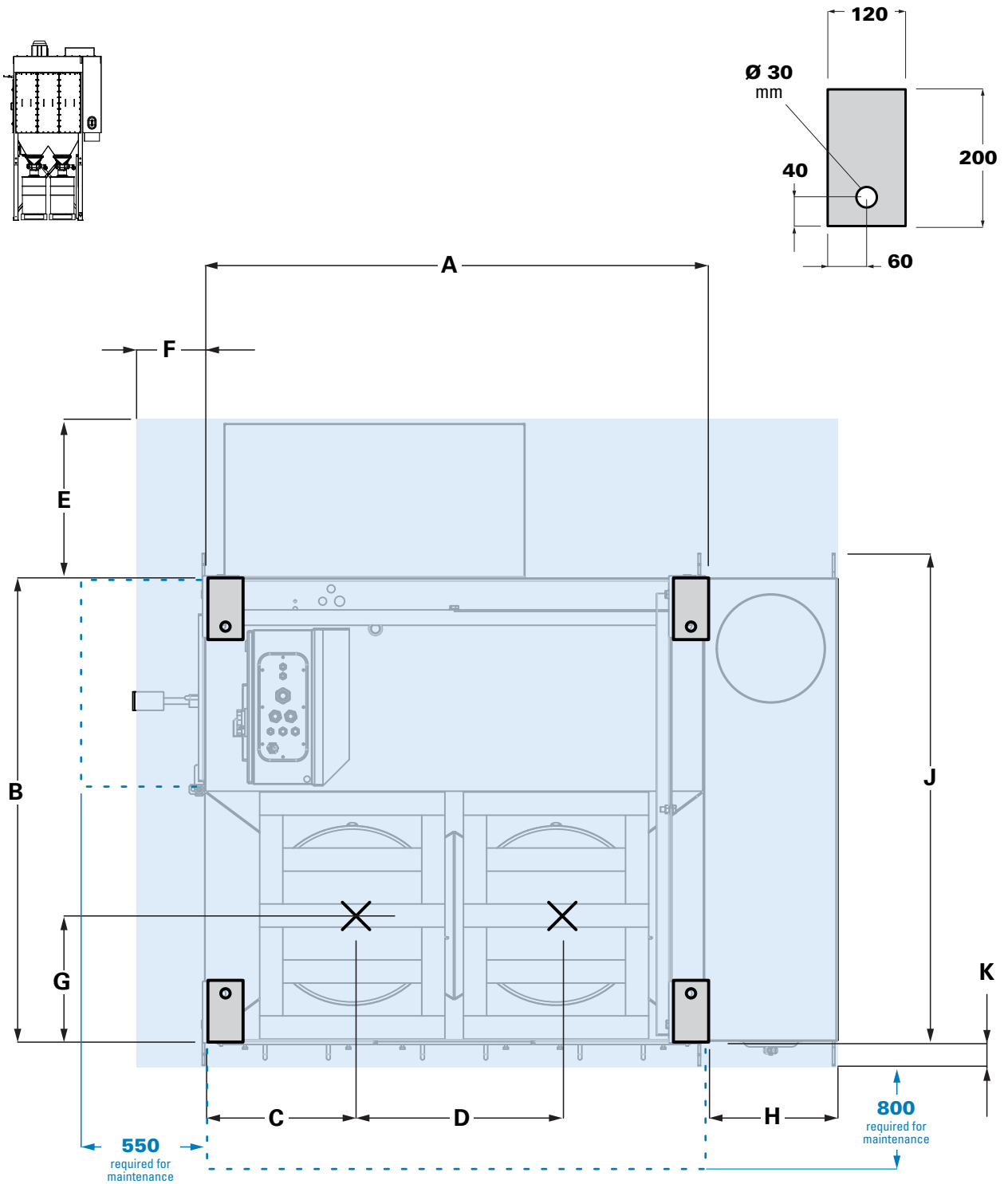
9L - Standard - Partially integrated fan dimensions (in mm)							
A	B	C	D	E	F	G	H
1360	1513	485	666	493	166	413	73

FOUNDATION DETAILS - 9L - SPARKTRAP - ROOF MOUNTED FAN



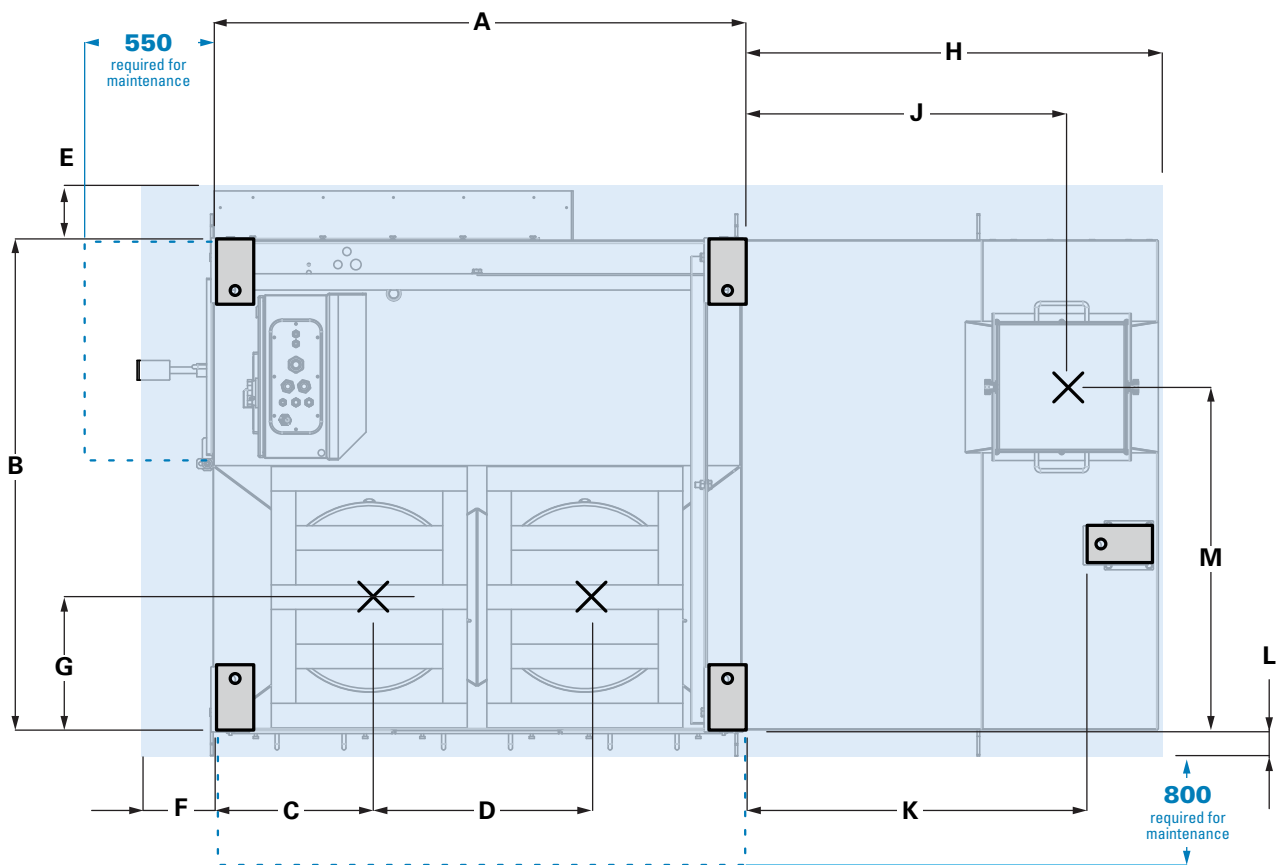
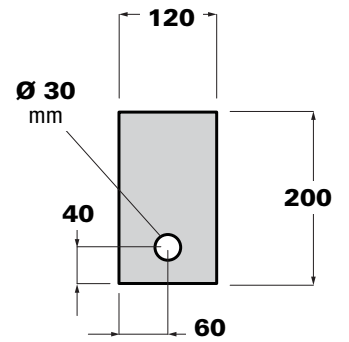
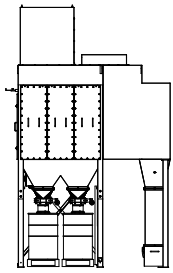
9L - Sparktrap - Roof mounted fan dimensions (in mm)									
A	B	C	D	E	F	G	H	J	K
1360	1513	485	666	143.5	166	413	428	1586	73

FOUNDATION DETAILS - 9L - SPARKTRAP - PARTIALLY INTEGRATED FAN



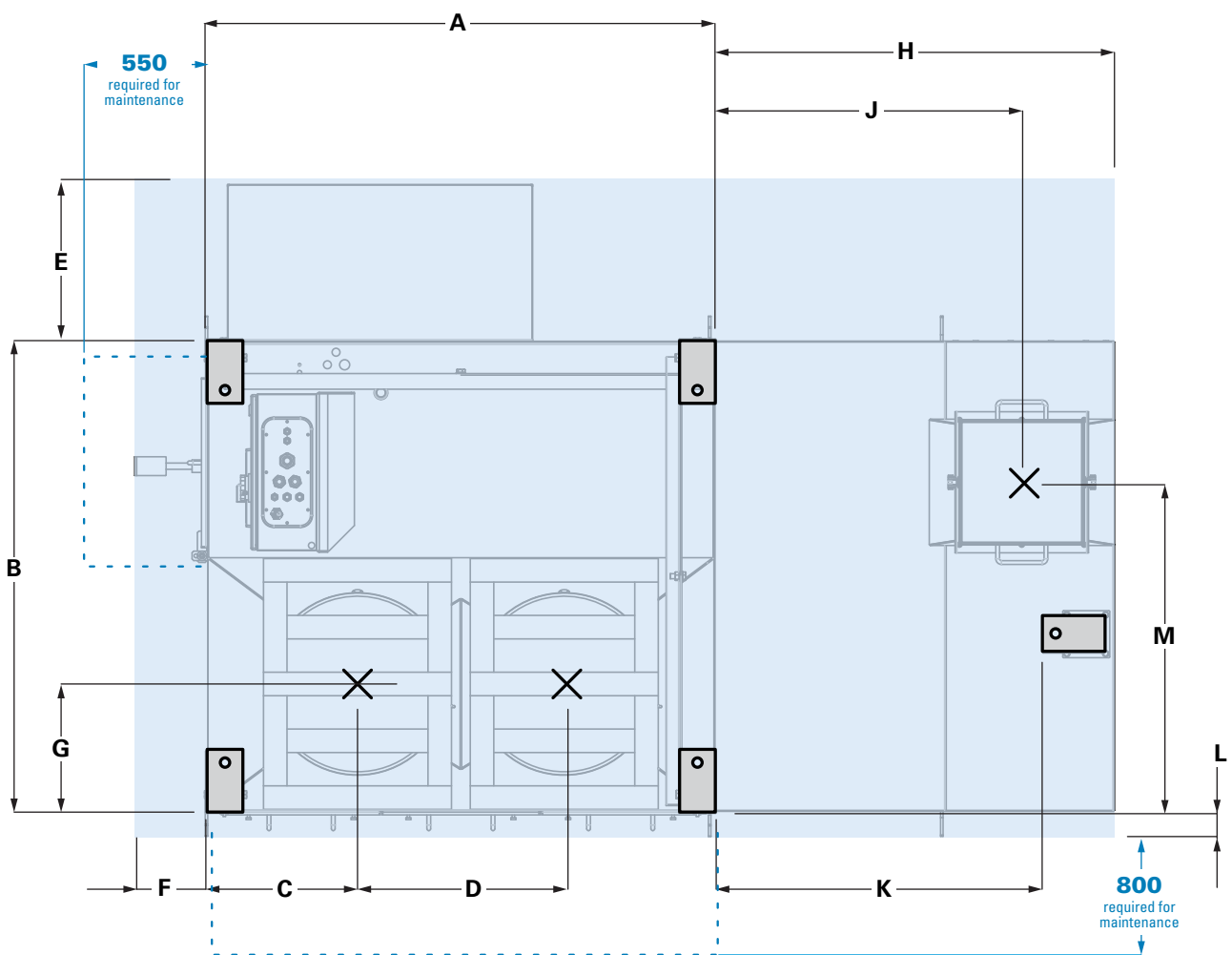
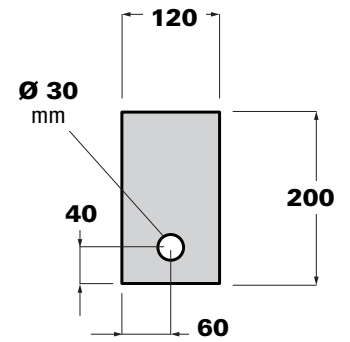
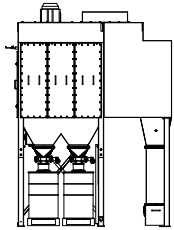
9L - Sparktrap - Partially integrated fan dimensions (in mm)									
A	B	C	D	E	F	G	H	J	K
1360	1513	485	666	493	166	413	428	1586	73

FOUNDATION DETAILS - 9L - CYCLOPEEL - ROOF MOUNTED FAN



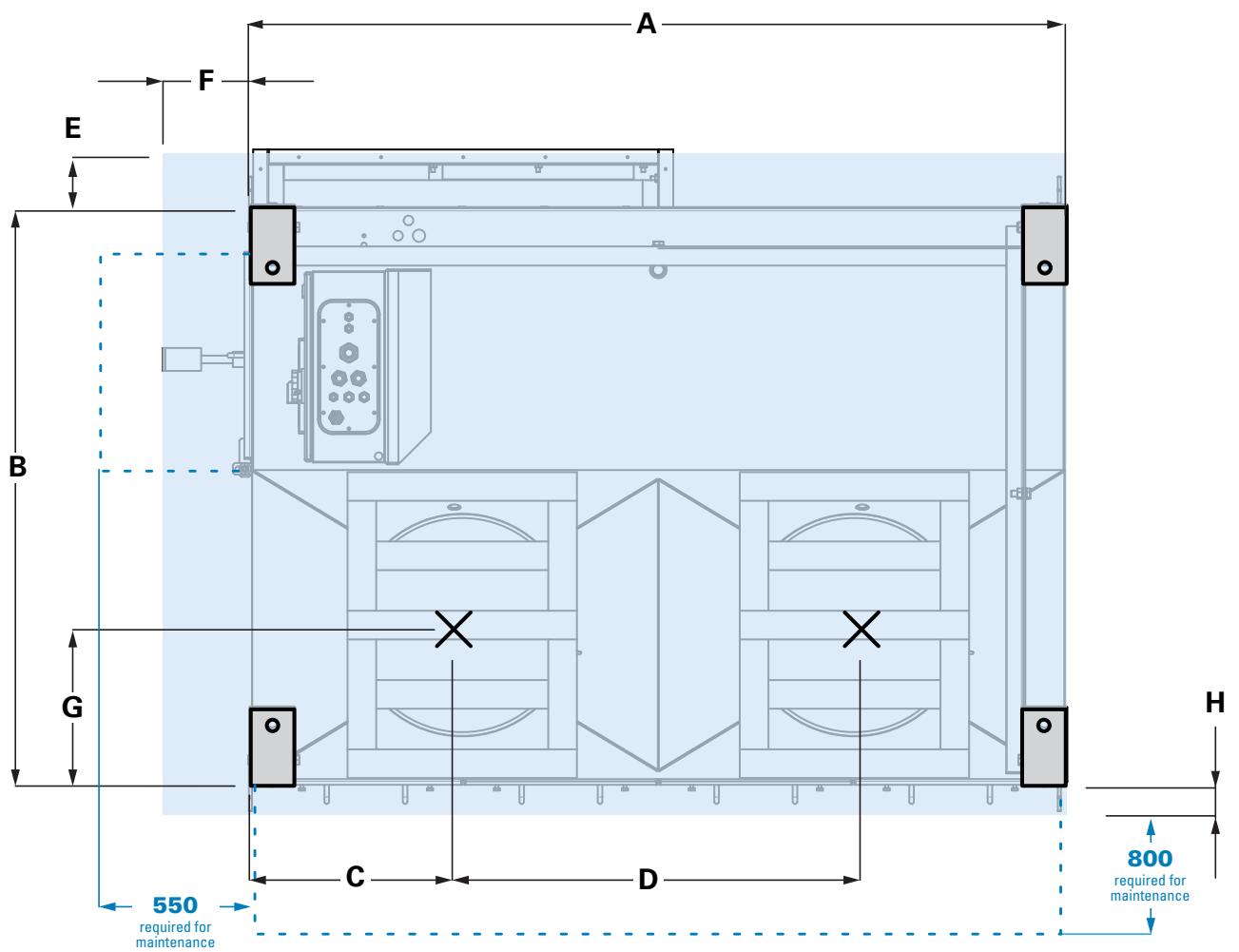
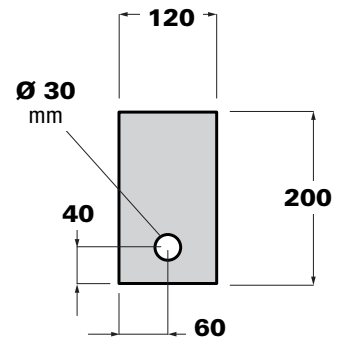
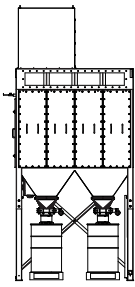
9L - Cyclopeel - Roof mounted fan dimensions (in mm)											
A	B	C	D	E	F	G	H	J	K	L	M
1360	1513	485	666	143.5	166	413	1278	982	1041	73	1056

FOUNDATION DETAILS - 9L - CYCLOPEEL - PARTIALLY INTEGRATED FAN



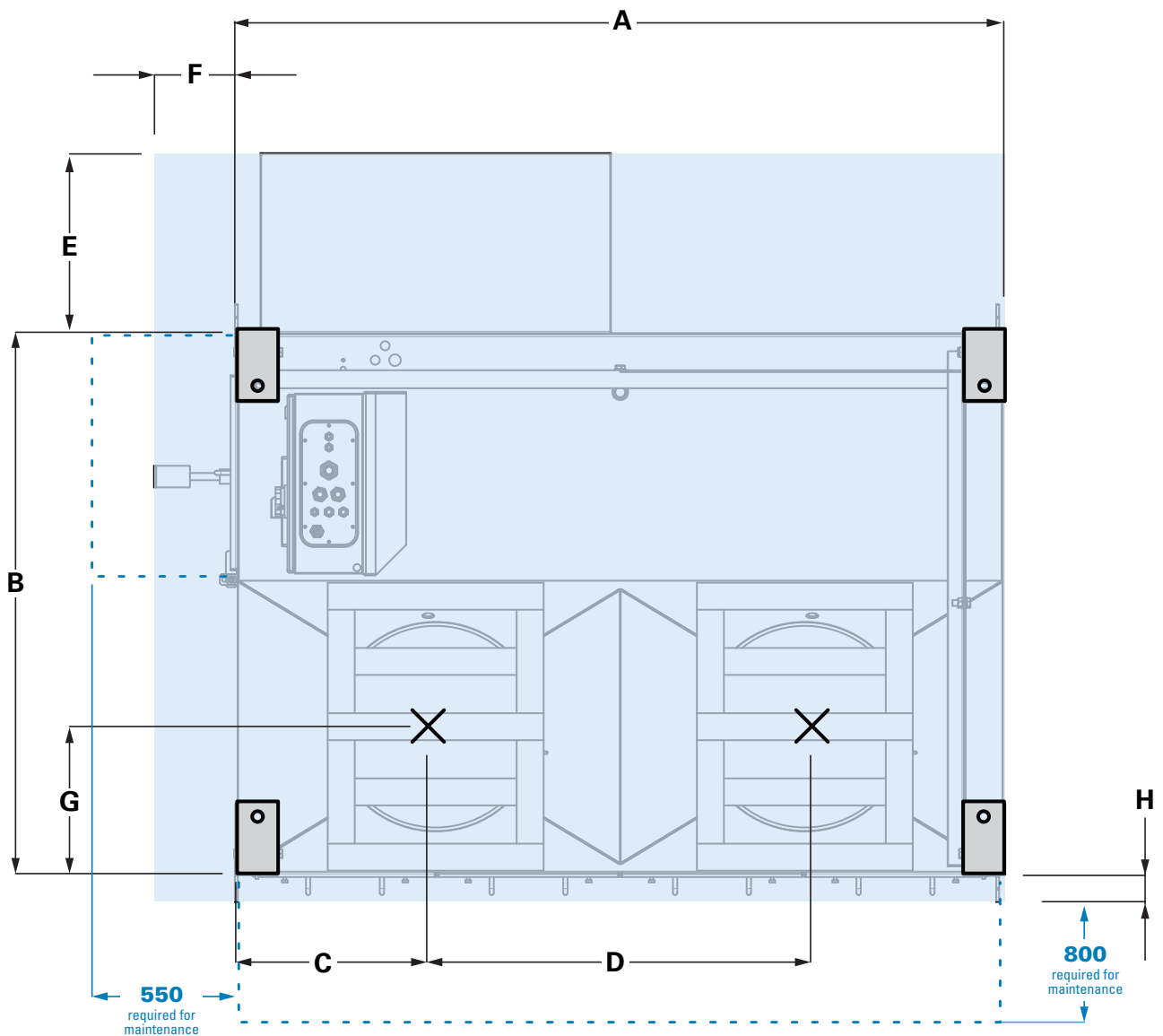
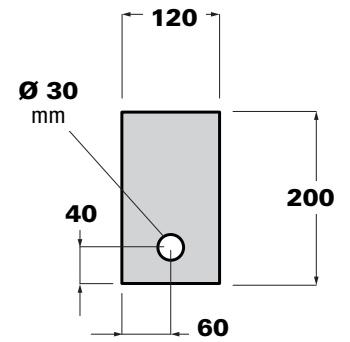
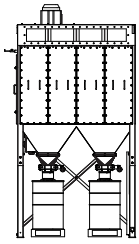
9L - Cyclopeel - Partially integrated fan dimensions (in mm)												
A	B	C	D	E	F	G	H	J	K	L	M	
1360	1513	485	666	493	166	413	1278	982	1041	73	1056	

FOUNDATION DETAILS - 12L - STANDARD - ROOF MOUNTED FAN



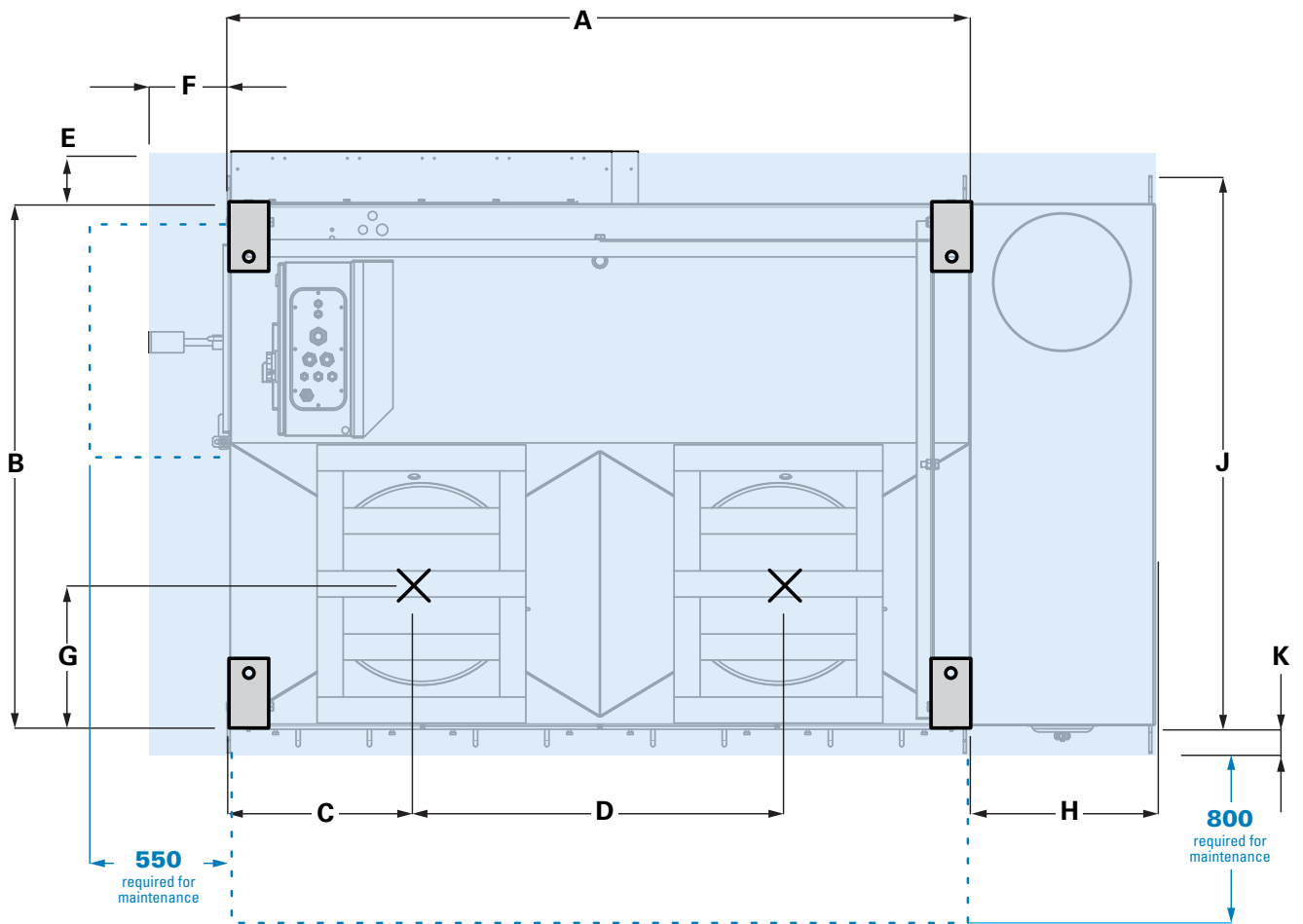
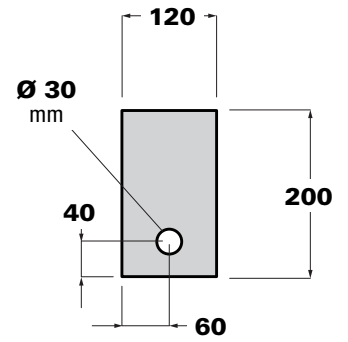
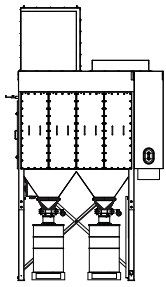
12L - Standard - Roof mounted fan dimensions (in mm)							
A	B	C	D	E	F	G	H
2140	1513	557	1026	143,5	173	413	74

FOUNDATION DETAILS - 12L - STANDARD - PARTIALLY INTEGRATED FAN



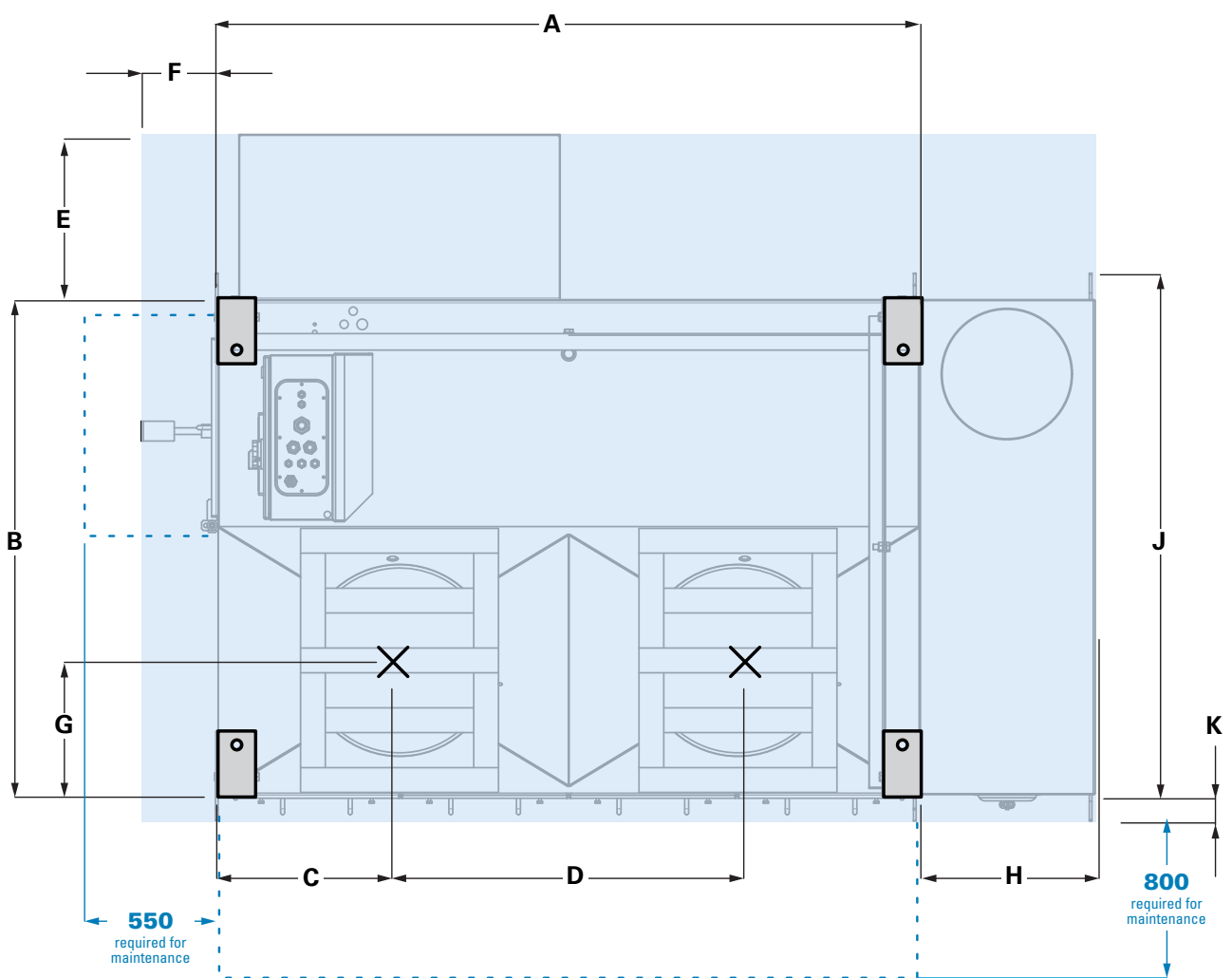
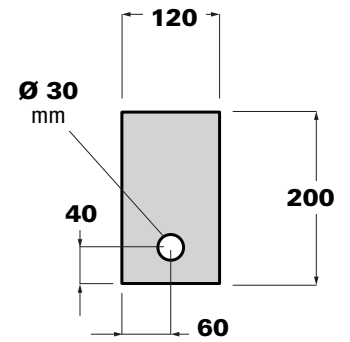
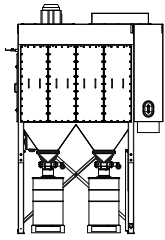
12L - Standard - Partially integrated fan dimensions (in mm)							
A	B	C	D	E	F	G	H
2140	1513	557	1026	493	173	173	74

FOUNDATION DETAILS - 12L - SPARKTRAP - ROOF MOUNTED FAN



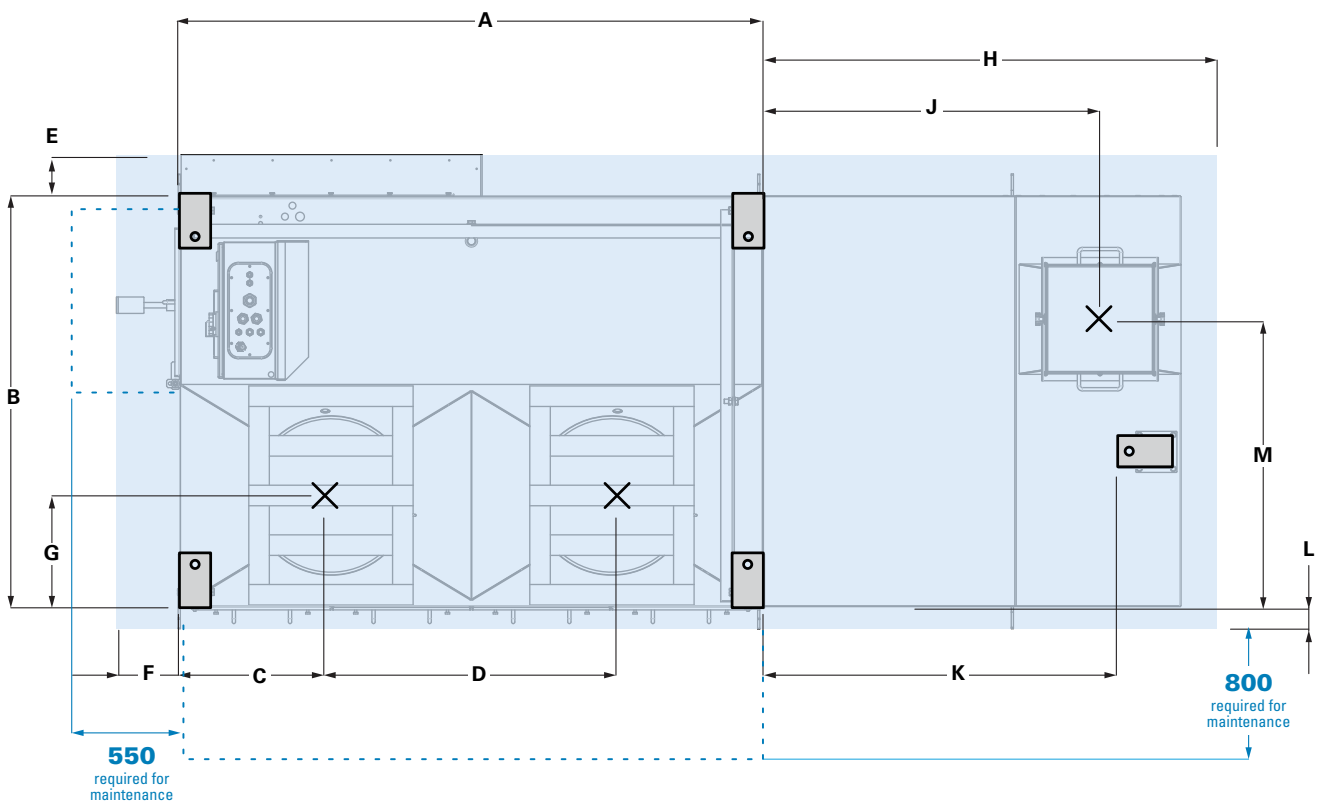
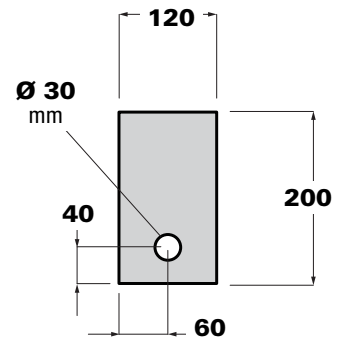
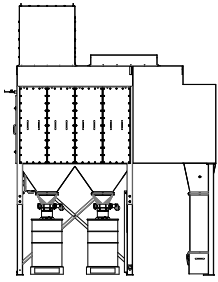
12L - Sparktrap - Roof mounted fan dimensions (in mm)									
A	B	C	D	E	F	G	H	J	K
2140	1513	557	1026	143,5	173	413	533	1586	74

FOUNDATION DETAILS - 12L - SPARKTRAP - PARTIALLY INTEGRATED FAN



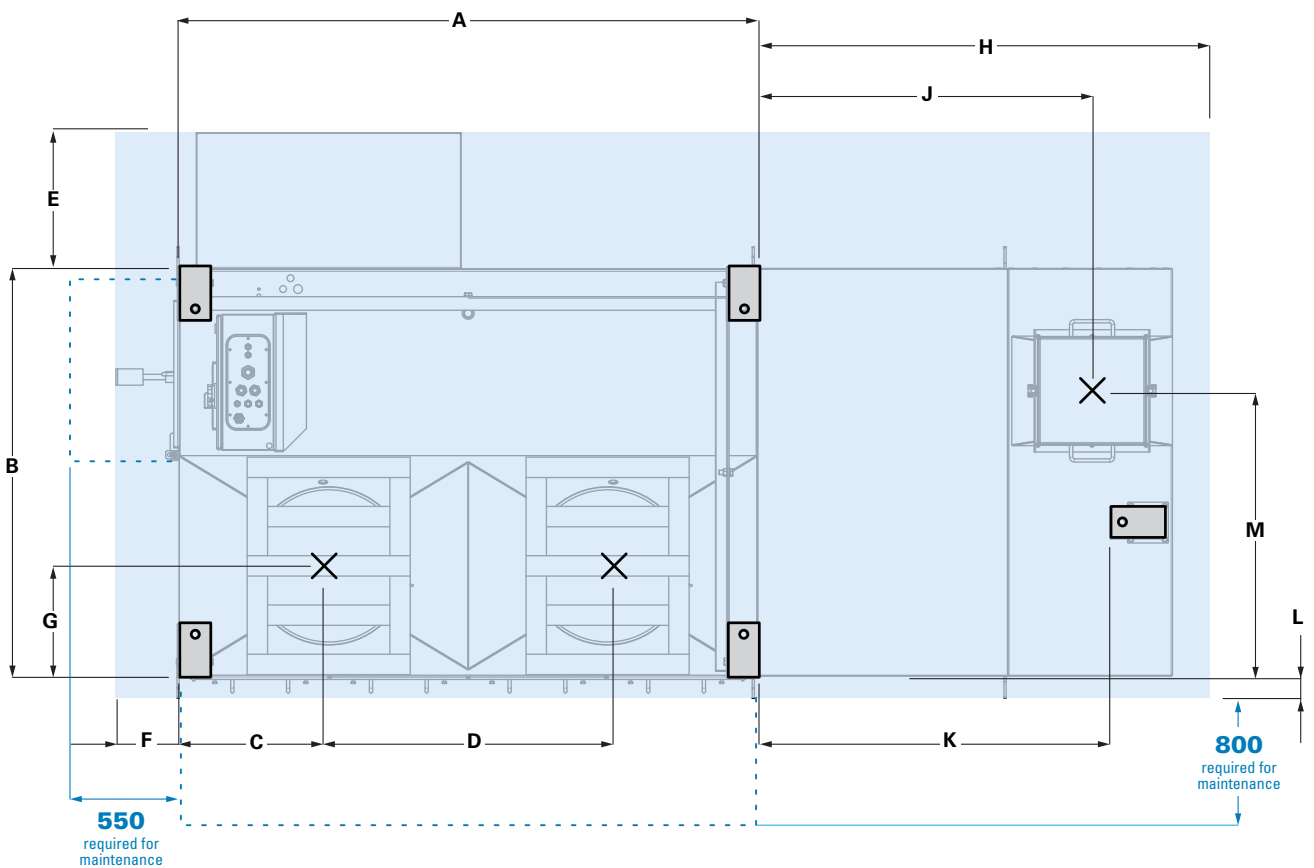
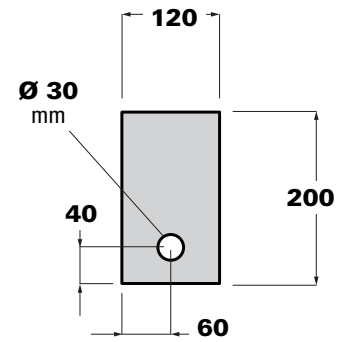
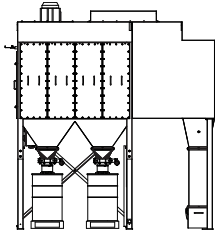
12L - Sparktrap - Partially integrated fan dimensions (in mm)									
A	B	C	D	E	F	G	H	J	K
2140	1513	557	1026	493	173	173	533	1586	74

FOUNDATION DETAILS - 12L - CYCLOPEEL - ROOF MOUNTED FAN



12L - Cyclopeel - Roof mounted fan dimensions (in mm)											
A	B	C	D	E	F	G	H	J	K	L	M
2140	1513	557	1026	143,5	173	413	1521	1225	1291	74	1056,5

FOUNDATION DETAILS - 12L - CYCLOPEEL - PARTIALLY INTEGRATED FAN



12L - Cyclopeel - Partially integrated fan dimensions (in mm)												
A	B	C	D	E	F	G	H	J	K	L	M	
2140	1513	557	1026	493	173	173	1521	1225	1291	74	1056,5	

ELECTRICAL REQUIREMENTS

Fully automatic cleaning mechanism:	C-Powerbox
Pulse interval time:	12 s
Control box protection class:	IP65
Input voltage:	400 V Δ 50 Hz

NOISE EMISSION

Noise emission declaration of the DFPRE 6L, measured according to EN-ISO 11201: 2010, running at maximum fan speed and 5 pulses per minute at 6 Bar with noise insulation foam:

The A-weighted emission sound pressure level re. 20 μ Pa	76 dB
associated total uncertainty K_{pA}	2.5 dB

The declaration is in conformance with ISO 4871.

MANIFOLD DESIGN DETAILS

Design pressure:	8 bar
Maximum operating pressure, PS:	7 bar (101.5 psig)
Test pressure:	11.5 bar
Design temperature:	-20° to +70°C
Manifold volume:	DFPRE 9L: 13 liters DFPRE 12L: 13 liters
Product of pressure and capacity:	DFPRE 9L: 91 bar liters DFPRE 12L: 91 bar liters
Material used for manifold construction:	Structural hollow section according to EN13445

COMPRESSED AIR REQUIREMENTS

Max. 7 bar	
Pressure range 6-7 bar	
Clean air (max. particle size 50 μm)	
Free of condensate at working temperature	
Max. oil content:	3 mg/m ³
Approximate compressed air usage*:	\pm 51 litres per pulse (\pm 15.3 Nm ³ /h for 12 s pulse interval at 7 bar)

* The indicated value is the consumption per valve

STANDARD FEATURES & AVAILABLE OPTIONS

Unit options

Execution for outside installation
Variable hopper clearance
Full range of dust disposal systems
Compressed air – oil/water separator and accessories
Full range of fan sets
CAP insulation foam
Full range of filter cartridges
Bin balance pipe kit
DFS Feeder for the absorption of oily substances

Cartridge options

Filter assembly DFE 660mm Ultra-Web®
Filter assembly DFE 660mm Ultra-Web® Earthed
Filter assembly DFE 660mm Ultra-Web® Flame Retardant
Filter assembly DFE 660mm Ultra-Web® Flame Retardant Earthed
Filter assembly DFE 660mm Ultra-Web® on SpunBond
Filter assembly DFE 660mm Ultra-Web® on SpunBond Earthed
Filter assembly DFE 660mm Ultra-Web® on SpunBond Anti-Static
Filter assembly DFE 660mm Ultra-Web® Anti-Static
Filter assembly DFE 660mm Torit-Tex®
Filter assembly DFE 660mm Torit-Tex® Earthed
Filter assembly DFE 660mm Torit-Tex® Anti-Static
Filter assembly DFE 660mm Ultra-Web® No Liner
Filter assembly DFE 660mm Ultra-Web® Flame Retardant No Liner
Filter assembly DFE 660mm Ultra-Web® Stainless Steel
Filter assembly DFE 660mm Fibra-Web®
Filter assembly DFE 660mm Fibra-Web® Earthed
Filter assembly DFE 660mm Fibra-Web® Flame Retardant
Filter assembly DFE 660mm Thermo-Web®
Filter assembly DFE 660mm Thermo-Web® Earthed
Filter assembly DFE 660mm Kevlar Nomex (high temp)

- Africa** Donaldson Europe B.V.B.A.
Industrial Filtration Solutions
Research Parc Bldg No. 1303
Interleuvenlaan, 1
B-3001 Leuven
Belgium
IAF-africa@donaldson.com +32 16 38 39 70
- Austria** Donaldson Filtration Österreich GmbH
Gutheil-Schoder Gasse 8-12
A-1100 Wien
Österreich
IAFat@donaldson.com +43 16 16 52 91
- Belgium** Donaldson Europe B.V.B.A.
Industrial Filtration Solutions
Research Parc Bldg No. 1303
Interleuvenlaan, 1
B-3001 Leuven
België
IAF-be@donaldson.com +32 16 38 39 70
- Czech Republic** Donaldson Filtration CR - koncern s.r.o.
Konevova 139
CZ-130 83 Praha 3
Ceská republika
IAF-cz@donaldson.com +420 2 67 108 242
- Denmark** Donaldson Scandinavia ApS
Lyngsø Allé 3A
DK - 2970 Hørsholm
Danmark
IAF-dk@donaldson.com +45 45 57 00 77
- Finland** Donaldson Scandinavia ApS
Lyngsø Allé 3A
DK - 2970 Hørsholm
Danmark
IAF-fi@donaldson.com +45 45 57 00 77
- France** Donaldson France s.a.s.
33 Rue des Vanesses
Zac Paris Nord II B.P. 51292 Villepinte
F-95958 Roissy
Charles de Gaulle Cedex
France
IAF-fr@donaldson.com +33 1 49 38 99 30
- Germany** Industrial Filtration Solutions
Industriestraße 11
D-48249 Dülmen
Deutschland
IAF-de@donaldson.com + 49 2594 781-41
- Hungary** Donaldson Filtration Magyarország Kft.
Záhony u. 7.
H-1031 Budapest
Magyarország
IAF-hu@donaldson.com +36 1 453 28 65/66
- Ireland** Donaldson Filtration (GB) Ltd.
Suite 31, The Hyde Building The Park
Carrickmines, Dublin 18
Ireland
IAF-ie@donaldson.com +353 1 525 22 49
- Italy** Donaldson Italia S.r.l.
Via Cesare Pavese, 5/7
20090 Opera (Milan)
Italia
IAF-it@donaldson.com +39 0 25 30 05 21
- Middle East** Donaldson Europe B.V.B.A.
Office 1905
Jebel Ali Free Zone
Dubai
United Arab Emirates
IAF-middle-east@donaldson.com +971 4 885 5311
- Netherlands** Donaldson Nederland B.V.
Transistorstraat 44 III
NL-1322 CG Almere
Nederland
IAF-nl@donaldson.com +31 36 548 08 40
- Norway** Donaldson Filtration Norway AS
Postboks 196
N-1501 Moss
Norge
IAF-no@donaldson.com +47 69 21 53 00
- Poland** Donaldson Polska Sp.zo. o.
ul. Sienna 64
PL-00-825 Warszawa
Polska
IAF-pl@donaldson.com +48 22 517 15 00
- Russia** Predstavitelstvo AOOO Donaldson Nederland B.V.
Centr Meždunarodnoj Torgovli
Ofis 1004V, Krasnopresnenskaja nab.12
123610 Moskva
Russia
IAF-ru@donaldson.com +7 499 136 00 13
- Slovakia** Donaldson Filtration Slovensko s.r.o.
Púchovská 8
SK-83106 Bratislava 35
Slovensko
IAF-sk@donaldson.com +421 2 44872619
- Spain** Donaldson Ibérica, Soluciones en Filtración, S.L.
Colom, 391 - 3ªA
E-08223 Terrassa
España
IAF-es@donaldson.com +34 93 784 38 34
- Sweden** Donaldson Scandinavia
Industrigatan 68
S-261 35 Landskrona
Sverige
IAF-se@donaldson.com +46 418 457 550
- Switzerland** Donaldson Schweiz GmbH
Bruggacherstrasse 18
CH-8117 Fällanden
Schweiz
IAF-ch@donaldson.com +41 (0)44 302 07 15
- Turkey** Donaldson Filtre Sist. Tic. Ltd. Sti.
Barbaros Mahallesi Palladium Tower No:2 Kat:10
34746 Ataşehir / Istanbul
Türkiye
IAF-tr@donaldson.com +90 216 687 03 26
- United Kingdom** Donaldson Filtration (GB) Ltd.
Humberstone Lane Thurmaston
Leicester LE4 8HP
United Kingdom
IAF-uk@donaldson.com +44 116 269 6161
- Other countries** Donaldson Filtration (GB) Ltd.
Humberstone Lane Thurmaston
Leicester LE4 8HP
United Kingdom
IAF-export@donaldson.com +44 116 269 6161

Order online



shop.Donaldson.com