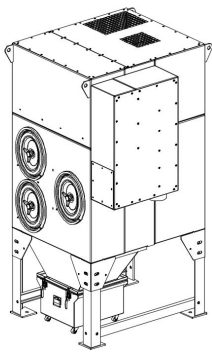




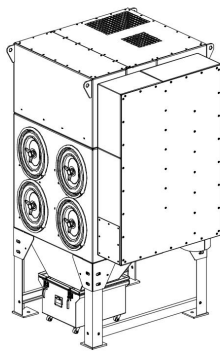
Donaldson.
FILTRATION SOLUTIONS

Packaged Downflo® Oval Dust Collector DFOE 3, DFOE 4, DFOE 6

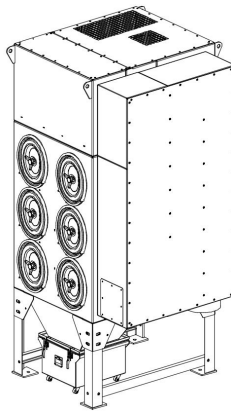
DFOE 3, DFOE 4 and DFOE 6 are packaged dust collectors designed for collection of dust and fumes generated by applications such as thermal cutting, welding, etc.



DFOE 3



DFOE 4



DFOE 6

DFOE 3, DFOE 4 & DFOE 6 Dust Collectors are equipped with Ultra-Web® filtration technology. Ultra-Web nanofiber media uses a layer of fibers 0.2 to 0.3 microns in diameter to capture contaminants on the surface of the media less than one micron in size. The resulting dust cake is easily cleaned off during the automated collector cleaning cycles providing cleaner air longer, with a minimum MERV* 15 efficiency rating based on ASHRAE 52.2 - 2007 test standards.

DFOE 3, DFOE 4 & DFOE 6 Dust Collectors can be used for nuisance and process dust and fume control, providing:

- Small, High Efficiency, Plug-and-Play design suitable for continuous operation.
- Packaged and compact design for small footprint, easy and cost effective installation
- Optional Spark Trap
- Down Flow Design and Oval Ultra-Web® FR Cartridge Filters with superior filtration efficiency and pulse cleaning.
- Clamping-style dust bin for easy clearing.
- Delta P-C01 Controller with a variety of Cleaning options and connectivity with other equipment

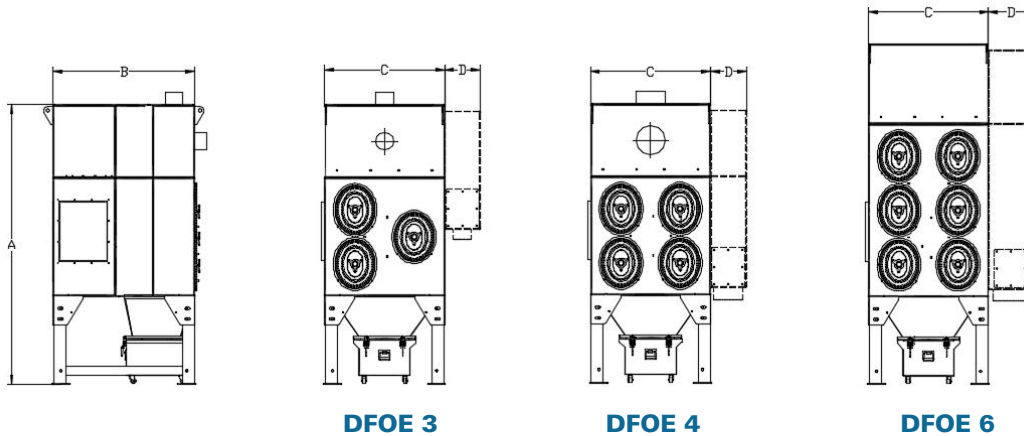
Standard Features and Available Options:

- Torit® Ultra-Web® Flame Retardant (FR) Cartridge Filters
- Integrated fan pack
- Optional Spark Trap
- Torit Δ P-C01 Delta-P Pulse Cleaning Controller

Applications:

- Laser Cutting
- Plasma Cutting
- Metal Welding
- Others

DFOE 3 , DFOE 4 & DFOE 6 DIMENSIONS AND SPECIFICATIONS

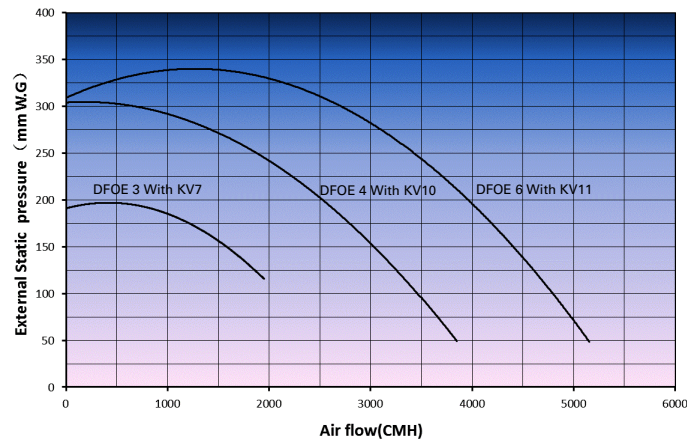


Type	No. of Filters	Filtration Area m ²	Motor kW	Weight kg	Sound Level* dB(A)	Dimensions			
	Pieces					A mm	B mm	C mm	D** mm
DFOE 3	3	53.0	3	650	75±3	2361	1198.6	1016	302.6
DFOE 4	4	70.6	5.5	700	75±3	2361	1198.6	1016	302.6
DFOE 6	6	105.9	7.5	840	75±3	2878	1283.6	1016	382.6

*All readings were taken in normal industrial areas, i.e. semi-reverberant surroundings, with local equipment silent.. Measurements were taken at maximum air flow conditions at 1.0 m radius from the equipment housing and 1.5 above base level, using a precision sound level meter and octave filter

**Only for optional module-spark trap

DFOE3&DFOE4&DFOE6 System Performance Curve



Parts and Service

For genuine Donaldson replacement filters and parts, call the Parts Express Line. For faster service, have unit's model and serial number, quantity, part number, and description available.

Donaldson Australasia
Tel: +61 1800 345 837
Website:
www.donaldsonfilters.com.au

Donaldson Beijing
Tel: 800 810 1907
Website:
www.donaldson.cn

Donaldson Shanghai
Tel: 800 820 1038
Website:
www.donaldson.cn

Donaldson Japan
Tel: +81 42 540 4114
Website:
www.donaldson.co.jp

Donaldson Korea
Tel: +82 251 733 33
Website:
www.donaldson.co.kr

Donaldson South Asia
Tel: +91 124 480 7536
Website:
www.india.donaldson.com

Donaldson Southeast Asia
Tel: +65 6349 8168
Website:
www.asia.donaldson.com

Donaldson USA
Tel: +1 800 365 1331
Website:
www.donaldsontorrit.com

Donaldson Europe
Tel: +32 16 383 811
Website:
www.donaldson.com

Donaldson Company, Inc. is the leading designer and manufacturer of dust, mist, and fume collection equipment used to control industrial-air pollutants. Our equipment is designed to help reduce occupational hazards, lengthen machine life, reduce in-plant maintenance requirements, and improve product quality.

© 2015 Donaldson Company, Inc.
Printed in APAC

DFOE Datasheet 2015 R1