

Designed for industrial and commercial filter applications with liquid.

The multi-bag liquid housings feature heavy-duty 304 or 316 stainless steel construction for maximum durability. They are compatible with size 2 bags, and are a reliable solution for pre-, coarse, and bulk liquid filtration.

Clamp closure housing:

- Clamp closure offers quick and easy bag change-out
- 10.35 bar (150 psi) pressure rating up to 121° C (250° F)
- 76 mm (3") flanged connections

Swing bolt closure housing:

- Heavy-duty swing bolt closure and davit assembly are ideal for larger flow applications
- Low profile for easy bag change-outs
- 10.35 bar (150 psi) pressure rating up to 149° C (300° F)
- Eye nuts and davit handle are zinc plated to prevent gauling



L-BH

APPLICATIONS

- Water
- Food & beverage
- Oil
- Coolants
- Chemicals
- Electronics
- Inks/paints/coatings
- Pulp and paper

SPECIFICATIONS

MATERIALS	
Head / Shell	304 SS or 316 SS
Eye Nuts and Davit Handle	Zinc plated steel
Mounting Legs	304L SS
Gaskets	EPDM
Baskets	3 mm (1/8") perforated stainless steel (various perforation and mesh sizes optional)
Finish	Poly-coat on exterior surfaces (134 coating or electropolish optional)

MAXIMUM OPERATING PRESSURE	
10.35 bar (150 psig) @ 121° C (250° F) – Clamp closure	
10.35 bar (150 psig) @ 149° C (300° F) – Swing bolt closure	

CONNECTION TYPES	
Inlet/Outlet	76 mm (3") RF flanges (0202)
	102 mm (4") RF flanges (0203, 0204)
	152 mm (6") RF flanges (0205, 0206)
Drain Port	13 mm (1/2") FNPT (Clamp)
	19 mm (3/4") FNPT (Sewing bolt)
Gauge Ports	6 mm (1/4") FNPT (Swing Bolt)
Vent Port	13 mm (1/2") FNPT
Bag Size	#2

DIMENSIONS

Model	Closure	Flow Rate ¹ (lpm)	Bag Qty	Dimensions (mm)									
				A	B	C	D	E	F	G	H	I	J
0202	Clamp	1,325	2	1260	996	406	267	102	295	345	269	521	531
0202	Swing Bolt	1,325	2	1260	996	406	267	94	254	175	269	521	531
0203	Swing Bolt	1,987	3	1344	1044	508	274	84	254	160	312	574	635
0204	Swing Bolt	2,650	4	1557	1029	508	287	76	254	203	328	663	635
0205	Swing Bolt	3,180	5	1613	1067	610	340	102	254	178	391	762	737
0206	Swing Bolt	3,975	6	1613	1067	610	340	102	254	185	391	762	737

Model	Closure	Flow Rate ¹ (gpm)	Bag Qty	Dimensions (inches)									
				A	B	C	D	E	F	G	H	I	J
0202	Clamp	350	2	49.6	39.2	16.0	10.5	4.0	11.6	13.6	10.6	20.5	20.9
0202	Swing Bolt	350	2	49.6	39.2	16.0	10.5	3.7	10.0	6.9	10.6	20.5	20.9
0203	Swing Bolt	525	3	52.9	41.1	20.0	10.8	3.3	10.0	6.3	12.3	22.6	25.0
0204	Swing Bolt	700	4	61.3	40.5	20.0	11.3	3.0	10.0	8.0	12.9	26.1	25.0
0205	Swing Bolt	840	5	63.5	42.0	24.0	13.4	4.0	10.0	7.0	15.4	30.0	29.0
0206	Swing Bolt	1050	6	63.5	42.0	24.0	13.4	4.0	10.0	7.3	15.4	30.0	29.0

¹ Flow rates are for guide lines only. Actual flow rates are based upon fluid viscosity, bag type, micron rating and other factors.

PRODUCT SELECTION

Bag Size	Inlet/Outlet Connection**	Material	Closure Style	Gasket
2	76 mm (3") RF Flange	304 SS	Clamp*	EPDM
	102 mm (4") RF Flange	316 SS	Swing Bolt	Buna
	152 mm (6") RF Flange			Silicone
				Viton®
				Teflon Encapsulated Silicone

* Clamp Closure only available for 0202.

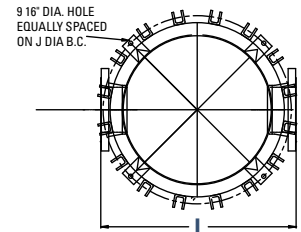
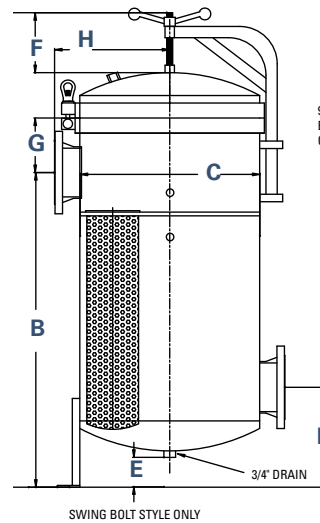
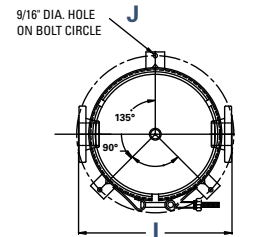
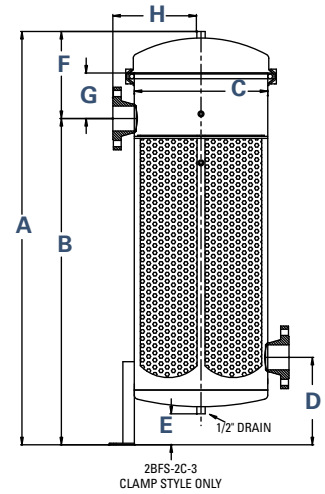
**Standard flange sizes are 3" for 0202, 4" for 0203 and 0204, 6" for 0205 and 0206.

Customization

Housings may be customized to meet your precise requirements. Contact your Donaldson representative for more information.

Important Notice

Many factors beyond the control of Donaldson can affect the use and performance of Donaldson products in a particular application, including the conditions under which the product is used. Since these factors are uniquely within the user's knowledge and control, it is essential the user evaluate the products to determine whether the product is fit for the particular purpose and suitable for the user's application. All products, specifications, availability and data are subject to change without notice, and may vary by region or country.



Donaldson Company, Inc.
Minneapolis, MN

donaldson.com
shop.donaldson.com

Australasia 61-02-4350-2066
marketing.australia@donaldson.com

Brazil 55-11-4894-6035
vendas.brasil@donaldson.com

China 86-400-921-7032
info.cn@donaldson.com

EMEA 49-2129-569-0
cap-europe@donaldson.com

India 91-124-4807-400
indiaenquiries@donaldson.com

Japan 81-42-540-4123
ndl-ultrafilter-web@donaldson.com

Korea 82-2-517-3333
cap-kr@donaldson.com

Latin America 52-449-300-2442
industrialair@donaldson.com

North America 800-543-3634
processfilters@donaldson.com

South Africa 27-11-997-6000
samarketing@donaldson.com

Southeast Asia 65-6311-7373
sea.salesenquiry@donaldson.com