



SG

COMPRESSED AIR FILTER HOUSINGS

Process Filtration

Steel flanged filter housings designed for the purification of compressed air and gases in industrial operations.

Donaldson® SG steel filter housings are equipped with all of the features required to make this the most efficient and cost-effective filter for your compressed air system. The flanged housings offer low pressure drop through optimal flow-path design. The SG standard filter housings come with an Economizer differential pressure gauge and float drain. For increased energy savings, the SG is also available with an optional Economizer differential pressure gauge and Ultramat zero air-loss condensate drain.

Available in three different housing sizes from 2,936 to 7,829 m³/hr (1,728 to 4,608 scfm). Several different filter element types are available to meet specific purification requirements.



SG STANDARD
with Float Drain
and Economizer

FEATURES	BENEFITS
Three part housing design	Easy installation and maintenance
Optimized housing construction for lowest flow velocity	Low pressure drop saves in purification costs of compressed air and gases
Economizer with integrated microprocessor (optional)	Determines the most cost-effective time to exchange the filter element
UFM-D zero-loss condensate drain (optional)	Increased energy savings by allowing zero compressed air loss. Stores condensate external of filter housing, ensuring complete condensate removal from compressed air.

SPECIFICATIONS

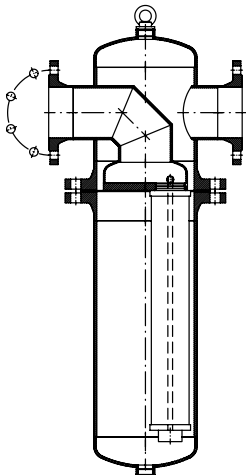
MATERIALS	
Filter Housing	Carbon steel
Differential Pressure Gauge - Economizer	Aluminum (Economizer optional)
Float Drain - UFM-P	Cast aluminum body, stainless steel float (UFM-D zero air-loss drain optional)
Housing Bowl Seal	Asbestos-free gaskets following ANSI B16.21
Surface Finish	Polyester powder coating
Connection	Flange 102 mm (4") or 153 mm (6") class 150, ANSI B 16.5, RF

DESIGN PRESSURE & TEMPERATURE
10.35 bar (150 psig) @ 66° C (150° F) standard

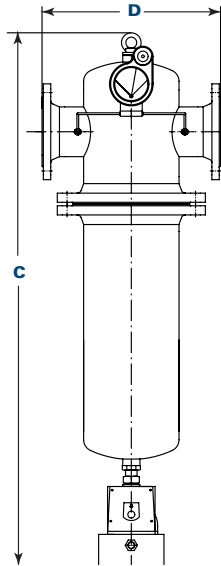
CAPACITY CORRECTION FACTORS

Operating Pressure (bar)	1.0	2.1	3.1	4.1	5.2	6.2	6.9	7.9	9.0	10.4	11.0	12.1	13.1	13.8	15.2	16.0
Operating Pressure (psig)	15	30	45	60	75	90	100	115	130	150	160	175	190	200	220	232
Correction Factor	0.3	0.4	0.5	0.6	0.8	0.9	1.0	1.1	1.2	1.4	1.5	1.6	1.8	1.9	2.0	2.1

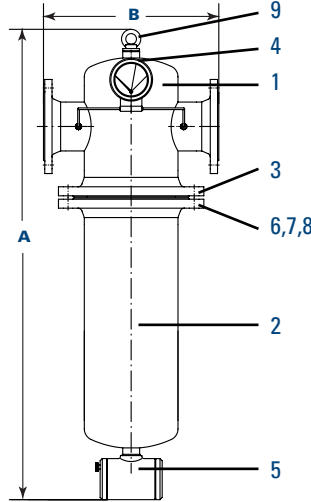
DIMENSIONS



SG Standard Cutaway View



SG Standard with Optional Ultramat UFM-D Zero Air-Loss Condensate Drain Valve and Economizer



SG Standard with Pneumatic Drain Valve and Econometer

No.	Description
1	Upper housing bowl
2	Lower housing bowl
3	Housing gasket
4	Econometer
5	Drain - UFM-P float drain
6	Hexagon bolt
7	Hexagon nut
8	Washer
9	Lifting eye bolt

Housing Size	Capacity*		Connections (Flange)		Element		Dimensions							
							Height A		Width B		Height C		Width D	
	m ³ /hr	scfm	mm	in.	Size	Qty	mm	in.	mm	in.	mm	in.	mm	in.
0288	2,936	1,728	102	4	3050	1	1372	54	457	18	1,448	57	457	18
0432	4,404	2,592	102	4	2030	3	1092	43	406	16	1,245	49	406	16
0768	7,829	4,608	153	6	3030	4	1499	59	483	19	1,626	64	483	19

* Capacity based on 6.9 bar (100 psig) inlet pressure.

Important Notice: Many factors beyond the control of Donaldson can affect the use and performance of Donaldson products in a particular application, including the conditions under which the product is used. Since these factors are uniquely within the user's knowledge and control, it is essential the user evaluate the products to determine whether the product is fit for the particular purpose and suitable for the user's application. All products, specifications, availability and data are subject to change without notice, and may vary by region or country.



Donaldson Company, Inc.
Minneapolis, MN

donaldson.com
shop.donaldson.com

Australasia 61-02-4350-2066
marketing.australia@donaldson.com

Brazil 55-11-4894-6035
vendas.brasil@donaldson.com

China 86-400-921-7032
info.cn@donaldson.com

EMEA 49-2129-569-0
cap-europe@donaldson.com

India 91-124-4807-400
indiaenquiries@donaldson.com

Japan 81-42-540-4123
ndl-ultrafilter-web@donaldson.com

Korea 82-2-517-3333
cap-kr@donaldson.com

Latin America 52-449-300-2442
industrialair@donaldson.com

North America 800-543-3634
processfilters@donaldson.com

South Africa 27-11-997-6000
samarketing@donaldson.com

Southeast Asia 65-6311-7373
sea.salesenquiry@donaldson.com